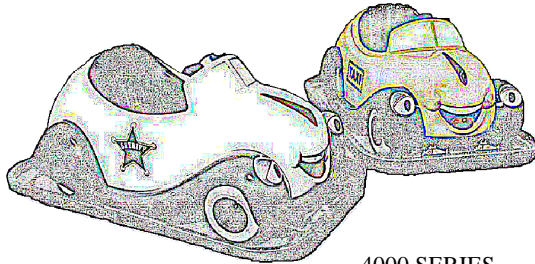
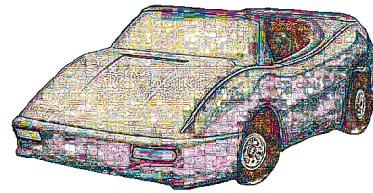




KIDZKART PARTS GUIDE



4000 SERIES



5000 SERIES



Kidzkart Series 4000 & 5000



This Parts Book and all Parts Books are available on the WEB.
Get the latest news & updates:

<http://www.jjamusements.com>



NOTE

Our dedication to constant development necessitates that descriptions and specifications are subject to change without notice.

PREFACE

SAFETY NOTICE

Proper service and repair procedures are vital to safe, reliable operation of Go-Karts and Bumper Boats as well as personal safety of those performing repairs. Refer to your J&J Service Manual for servicing and repairing J&J Go-Karts and Bumper Boats. Always use safe and effective methods. The Service Manual contains many **NOTES**, **CAUTIONS** and **WARNINGS** which should be followed along with standard safety procedures to eliminate the possibility of personal injury or improper service which could be damaging to your equipment or compromise its safety.

It is important to note that repair procedures, techniques, tools and parts for servicing Go-Karts and Bumper Boats as well as the skill and experience of the individual performing work vary widely. It is not possible to anticipate all conceivable ways or conditions under which Go-Karts and Bumper Boats may be serviced or to provide cautions to all possible hazards that may result. Standard precautions should be used when handling toxic or flammable fluids, and safety goggles or other protection should be used during cutting, grinding, chiseling, prying or any other process that can cause material removal or projectiles. J&J recommends use of safety goggles or approved glasses during all servicing.

All information contained in this Parts Guide is based on the latest product information and prices available at time of printing. We reserve the right to make changes at any time without notice. No part of this publication may be reproduced, stored in a retrieval system or transmitted, in any form by any means, electronic, mechanical, photocopying, recording, or otherwise, without the prior written permission of J&J Amusements, Inc. A Corporation of Oregon. This includes text, figures and tables.

How To Contact Us

Street & Mailing Address

4897 Indian School Road NE Suite 150
Salem, Oregon 97305-1126 USA

Telephone Number

Toll Free: 1 (800) 854-3140
(503) 304-8899

Fax Number

Toll Free: 1 (800) 366-7505
(503) 304-1899

Internet Address

<http://www.jjamusements.com>

E-Mail: parts@jjamusements.com

Technical Service

We offer 7 day technical assistance.

Call for details.

service@jjamusements.com

J&J Amusements, Inc. General Order and Shipment Policy

J&J Amusements, Inc. appreciates our customers . We will do our best to provide quality parts and service. Your business is important to us so we want you to fully understand our policy guidelines. Remember they are only guidelines: questions, suggestions and even complaints are always welcome.

NEW ACCOUNTS: New accounts are welcome! Open account terms are available to customers upon credit approval. Contact us for a credit application. Please be sure to furnish accurate, complete, year round mailing and shipping addresses and phone numbers. Credit approval takes approximately 3-4 weeks.

OPEN ACCOUNT TERMS: Customers with approved credit applications are allowed net prices as long as payment is received within 30 days of invoice date. A late fee of 1 1/2% per month will be assessed to the balance on any past due invoice. In addition, if your account is 60 days past due is will be placed on CREDIT HOLD.



VISA, MASTERCARD, AMERICAN EXPRESS: For your convenience we accept VISA, MasterCard and American Express. We never charge your credit card until we ship your order.

ORDERING: It is important to order all parts by correct part number. This will speed your order and help eliminate errors. You may phone, fax or e-mail your orders.

- Phone orders 1-800-854-3140 International orders call 1-503-304-8899
- Fax orders 1-800-366-7505 International orders call 1-503-304-1899. To ensure accuracy, fax form in the back of this book must be filled out completely with customer number, bill to, ship to, phone number and shipping (ground, 2nd day, overnight, overnight Saturday, or truck line). Every line item must have the part number, quantity and description clearly printed to receive discount.
- E-Mail Orders: parts@jjamusements.com
- On-Line Orders: <http://www.jjamusements.com>

HOURS: Business hours are 8:00am to 4:30pm Pacific Time Monday thru Friday. Fax and e-mail orders can be received 24 hours a day.

PRICES: J&J Amusements, Inc. makes every effort to offer competitive prices and to maintain pricing for the life of the annual catalog. In some cases, price adjustments must be made and J&J Amusements, Inc. reserves the right to change pricing without notice.

BACK ORDERS: Back orders are shipped automatically with the same terms as the original order. Back orders will be shipped ASAP unless you elect to: batch all back orders for periodic shipment or cancel all back orders. You must notify J&J Amusements, Inc. in writing if you wish to utilize either of the above options.

SHIPPING: We will endeavor to ship all orders *same day* and do our best to follow your special shipping instructions. We normally ship orders under 150 lbs. by UPS. Larger orders will be shipped by freight lines.



COD SHIPMENT: Large orders shipped COD will be divided into two or more cartons. The total COD amount will be pro-rated by value of each carton's contents. **COD orders of \$1,000 or more are shipped cashiers check only.**

REFUSED COD SHIPMENTS: Our **FULL** restocking fee plus freight both ways, will be charged to your next order if you refuse a COD shipment.

BAD CHECKS: Any account having a returned check (for any reason) will be placed on COD cash only. To avoid legal action, the check must be redeemed by a certified check or bank money order and all returned checks will be charged a \$25.00 fee. If legal action is necessary, the customer will be responsible for all charges incurred in collection.

URGENT PART ORDERS: UPO's should be submitted only when fastest service is required to provide individual customer satisfaction. UPO's are given highest priority handling by J&J Amusements, Inc. This order method should not be used for stocking purposes. **All extra shipping and handling charges incurred will be charged to customer.**

SHORTAGES: Must be reported at the time the package is opened - **NO EXCEPTIONS.** All orders are checked for accuracy after picking and are weighed to 1/10th of an ounce to give us three ways of checking.

DAMAGES: Must be reported at the time the package is opened - **NO EXCEPTIONS. ALL BOXES AND PACKING MUST BE SAVED** to receive credit for damages. We will pay shipping charges.

FREIGHT CLAIMS: If packages delivered by freight carrier arrive in broken or mutilated boxes or if shipments are incomplete, be sure the driver notes on your bill of lading. **Claims against freight carriers are made by the recipient, not J&J Amusements, Inc..**

RETURNED GOODS POLICY: **A Return Merchandise Authorization (RMA#) is required for all returns. NO EXCEPTIONS.** The RMA# must be displayed on exterior of return shipping carton. Only items authorized (listed) on RMA# may be returned. Obsolete and discontinued merchandise cannot be returned (current merchandise is that which appears in current annual catalog/price book). A 15% restocking fee will be charged on all returns, except for errors made by J&J Amusements, Inc. Freight will be paid by customer except for shipping errors caused by J&J Amusements, Inc. Returned merchandise must be in good resale condition, in original J&J Amusements, Inc. package (where applicable) and cannot be altered with customer labels, stickers, numbers etc.. Returned goods which do not have an RMA# will be refused.

WARRANTY RETURN POLICY: All warranty item returns must be authorized by the Warranty Department and have an assigned RMA# before any adjustment or credit will be given. The RMA# must appear next to the shipping label on all returned items for proper credit to be issued. All credits issued will be applied to future purchases

TAXES: Prices in this book do not include your state, local, or other applicable sales taxes or any other taxes that may be required. The purchaser is responsible for all tax associated with purchasing goods and must take all steps required to pay directly all taxes due.

DOUBLE CHECK ALL PART NUMBERS AND DESCRIPTIONS BEFORE PLACING ORDER
Please call us Toll Free at 1-800-854-3140 or 1-503-304-8899 for assistance.



ORDERING INFORMATION

To Place An Order:

J&J makes it easy to place your order anytime. Order online, send us a fax, e-mail or give us a call. All orders receive immediate attention and ship straight to your facility.

The preferred method of ordering is at our Online Store <http://www.jjamusements.com>. If you fax your order, it's very important to order all parts by correct part number. This will speed your order and help eliminate errors. You may phone your order using our toll free number, 1-800-854-3140 or fax your order to 1-800-366-7505. For customers outside the US call 503-304-8899 or fax 503-304-1899. E-Mail, our address is parts@jjamusements.com

****NOTE ON FAX ORDERS:** Fax forms in the back of this book must be filled out completely with customer number, bill to, ship to, phone number and shipping (ground, 2nd day, overnight, overnight Saturday). Every line item must have the part number, quantity and description. See next page for an order form example.

Office Hours

Our offices are open to receive phone orders

Pacific	8:00am to 4:30pm
Mountain	9:00am to 5:30pm
Central	10:00am to 6:30pm
Eastern	11:00am to 7:30pm
Greenwich	4:00pm to 12:30am
Geneva	5:00pm to 1:30am
Buenos Aires	1:00pm to 9:30pm
Tokyo	1:00am to 9:30am
Sydney	2:00am to 10:30am

UPS Charges

COD collection fee - \$5.50 Insurance - each package with declared value of \$100 or over - .35 cents per \$100.

UPS Regular - 5 to 7 days delivery

UPS 3rd Day - within 3 working days

UPS Blue - within 2 working days

UPS Red - Next Day delivery

UPS Red Saturday - Available in most areas

UPS International - Available in most areas

Ordering Procedures:

Follow these simple guidelines, whether you order Online, Call, Fax or E-mail.

When you Order Online:

1. Go to <http://www.jjamusements.com>
2. Use your customer number
3. Fill out all information correctly
4. Note shipping method desired

When you call, please have:

1. Your customer number
2. Item number and description
3. Current Parts Manual for quick reference

When you fax:

1. List customer number, phone number, and proper bill to and shipping address.
2. List quantity, item number and description clearly
3. Note shipping method desired

When you e-mail:

1. List customer number and proper bill to and shipping address.
2. List quantity, item number and descriptions clearly
3. Note shipping method desired
4. List return e-mail address and phone number

Orders will ship UPS Regular if not stated otherwise.

RETURN POLICY

* ABSOLUTELY NO RETURNS PERMITTED AFTER 30 DAYS

*RMA NUMBER REQUIRED FOR ALL RETURNS, ALL ITEMS RECEIVED WITHOUT RMA NUMBER DISPLAYED ON OUTSIDE OF PACKAGE WILL BE REFUSED

* NO RETURNS WITHOUT PRIOR AUTHORIZATION



FAX ANYTIME - DAY or NIGHT

Toll FREE (USA) 1-800-366-7505

International 1-503-304-1899

Photocopy this form.

If you wish to confirm receipt call:

Phone: 1-503-304-8899 or 1-800-854-3140

TO ENSURE PROPER HANDLING, ALL SECTIONS

MUST BE COMPLETED

Date: **9-16-96** Time: **9:00pm**

Bill to: **Family Fun USA**
123 Fun Street
Fun Town, USA 55512

Ship to: ~~**Family Fun USA**~~
~~123 Fun Street~~
~~Fun Town, USA 55512~~

Customer Account Number: 01234A

Phone Number: **(999) 621-1212 EXT.**

Must Have

(VERY IMPORTANT)

Must Have

SHIP VIA **UPS** (Please **X** One)

- GROUND 5 TO 7 DAYS
- TWO DAY
- THREE DAY
- NEXT DAY
- NEXT DAY SATURDAY
- INTERNATIONAL

QTY.	PART #	DESCRIPTION
5	20262500	Fan, Cooling
2	36789350	Pulley Comp, Starter
20	00977	Decal, No Bumping
1		GX240 Shop Manual
10	SP-2747	Filter, GX160 J&J K&N Air Filter

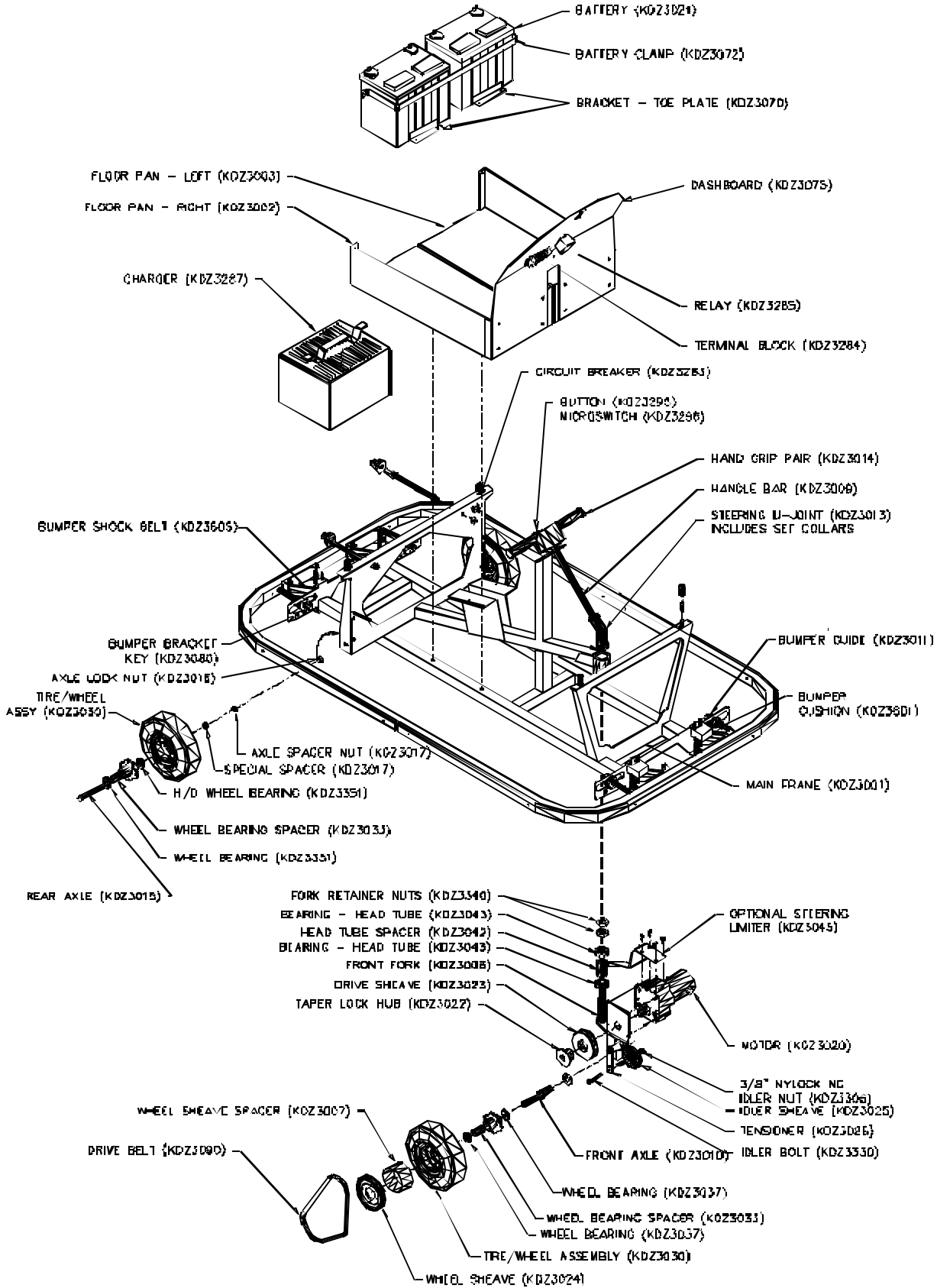
"Correct"
Print
Clearly

Must Have Part Number

"Incorrect"
Always Print Clearly

Special Instructions: *Please call if you can't ship order in full.*

Thanks Joe



ALL PRICES ARE SUBJECT TO CHANGE WITHOUT PRIOR NOTICE

PART	DESCRIPTION	PRICE
3001	Main Frame "Front Wheel Drive"	323.87
3002	Floor Pan/Sideboard - Right	52.10
3003	Floor Pan/Sideboard - Left	52.10
3005	Bumper "Front Wheel Drive"	199.00
3006	Bumper Cover Set "Front Wheel Drive"	60.00
3007	Wheel Sheave Spacer	3.80
3008	Front Fork	120.70
3009	Handle Bar	38.50
3010	Front Axle	16.00
3011	Bumper Guide (UHMW)	7.10
3014	Hand Grip Set	5.00
3015	Rear Axle "Front Wheel Drive"	2.12
3016	Axle Nut	.70
3017	Rear Axle Spacer Nut 5/8"	.25
3020	24vdc Gear Motor	195.00
3021	12v Pressure Vented Battery	109.25
3022	Hub w/Key 5/8"	8.10
3023	AK41Drive Sheave w/o Hub	27.10
3025	Idler Pulley	7.40
3026	Idler Tensioner	20.90
3030	Tire & Wheel Assembly 2.80/2.50-4 (Black)	36.60
3031	Tire Only 4.10/3.50-4 (gray)	24.46
3032	Tube 4.10/3.50-4	6.80
3033	Wheel Bearing Spacer	4.00
3034	Handle Bar Bearing	7.00
3035	Tire Only 2.80/2.50-4 (gray)	14.20

PART	DESCRIPTION	PRICE
3036	Inner Tube 2.80/2.50-4	4.20
3037	Tire Only 4.10/3.50-4 (Black)	25.50
3042	Head Tube Bearing spacer	6.30
3043	Head Tube Roller Bearing	7.74
3045	Steering Limiter, 45 Degree	17.30
3046	Steering Limiter, 90 Degree	17.30
3050	Male Safety Buckle	1.06
3051	Safety Belt Strap	5.31
3052	Safety Strap with Female Buckle	4.78
3060	Hour Meter	62.12
3065	Dashboard Spacer	3.80
3070	Battery Toe Plate Bracket	1.90
3072	Battery Clamp	12.50
3074	Charger Rubber Strap 21"	2.30
3075	Dashboard	20.00
3080	Bumper Bracket Key	1.70
3090	Drive Belt "Front Wheel Drive"	6.00
3092	Front Fork Spacer	5.20
3101	Charger Adapter Left Hand (Schauer)	7.65
3102	Charger Adapter Right Hand (Schauer)	4.80
3103	Frame Rail Assembly	141.40
3104	Sub Frame Assembly	186.80
3111	Steering Yoke U-Joint	11.20
3112	Front Spindle Assembly	25.50
3115	Steering Wheel Plate	8.00
3119	Steering Wheel	30.00

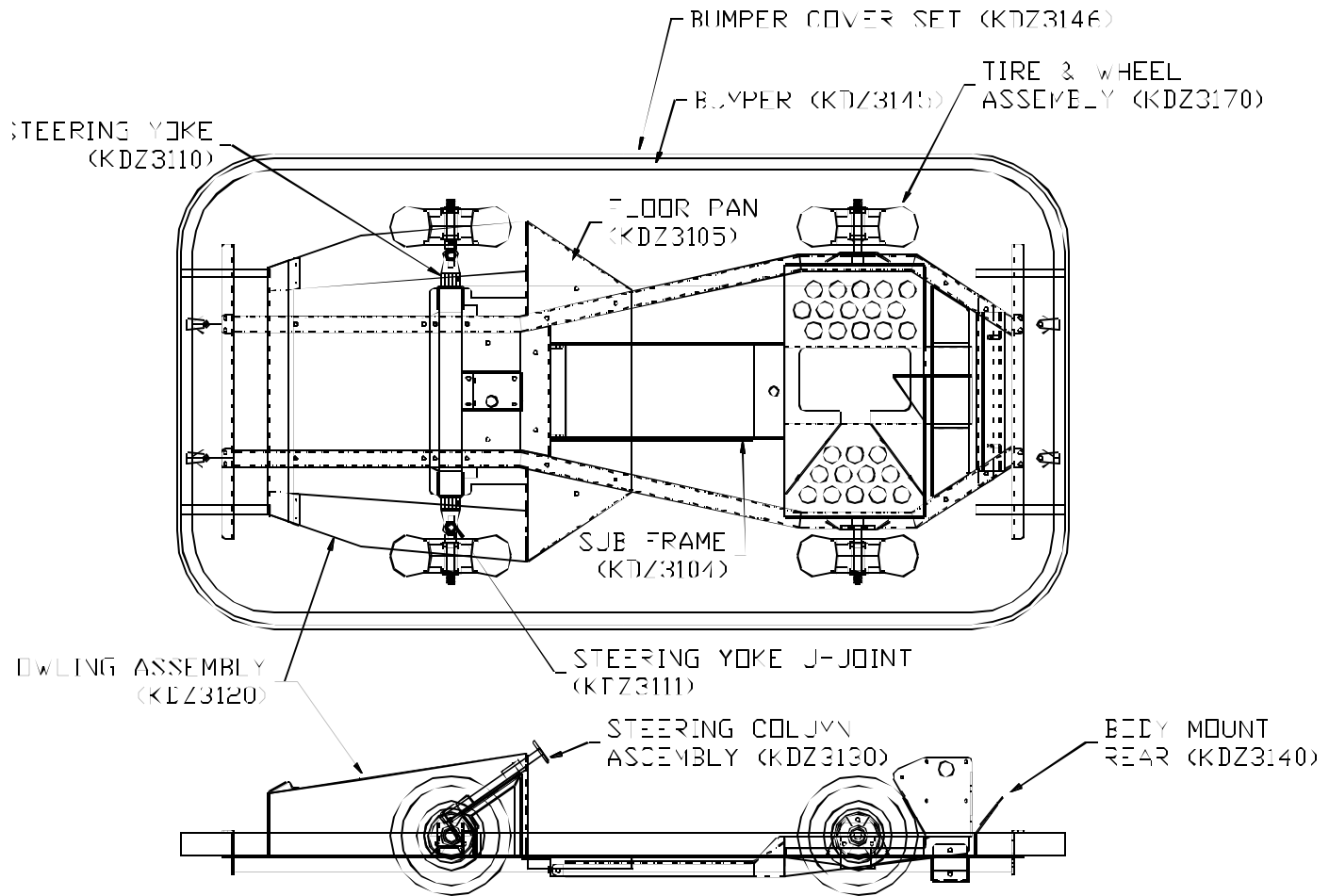
ALL PRICES ARE SUBJECT TO CHANGE WITHOUT PRIOR NOTICE

PART	DESCRIPTION	PRICE
3120	Aluminum Cowling Assembly	120.90
3121	Aluminum Tie-Rod Cover	35.70
3130	Steering Column Assembly	46.60
3131	Metal Steering Sleeve	.60
3135	Female Tie-Rod End w/Stud 3/8"	12.50
3140	Rear Body Mount 2pcs.	15.42
3145	Bumper "Sport Racer"	207.70
3146	Bumper Cover Set (UHMW)	38.90
3160	Rear Axle "Sport Racer"	11.50
3165	Battery Clamp "Sport Racer"	6.30
3170	Tire & Wheel Assembly 4.10/3.50-4 (Gray)	58.80
3190	Drive Belt "Sport Racer"	5.50
3240	Electrical Grommet 1"	.21
3241	Electrical Grommet 5/8"	.12
3242	2 Contact Wire Connector	4.93
3280	Push Button Switch	9.51
3281	Toggle Switch	9.70
3282	Terminal Block	2.20
3283	Circuit Breaker	3.40
3284	6 Gang Terminal Block	4.20
3285	Relay	44.91
3286	24v Battery Charger	96.80
3287	Automatic Battery Charger	120.00
3291	Terminal Block Jumper	.40
3295	Green Start Button	3.00
3296	Start Button Microswitch	1.60

PART	DESCRIPTION	PRICE
3301	1/4" x 1-1/4" Soc.	.20
3302	1/4" Washer	.10
3303	1/4" x 1-1/2" Elevator Bolt	.20
3306	Idler Nut	.75
3310	Tensioner Mounting Bolt	.30
3315	5/16" x 3" Bolt	.15
3319	3/8" Coupler Nut	.60
3330	Idler Bolt	.65
3340	Fork Retainer Nut	3.00
3351	H/D Wheel Bearing	3.50
3390	#14 x 2" Sheet Metal Screw	.31
3391	#14 Washer	.16
3491	24vdc Motor Brush w/Spring	5.20
3501	"Mr. Taxi" Body	478.72
3502	"Police Chief" Body	478.72
3503	"Fire Chief" Body	478.87
3506	Red "Sport Racer" Body	425.53
3507	Yellow "Sport Racer" Body	425.53
3511	Left Front Wheel & Tire "Sport Racer"	103.38
3512	Right Front Wheel & Tire "Sport Racer"	106.38
3513	Seat "Front Wheel Drive"	106.38
3514	Kidzkart Owners Manual	2.00
3516	Seat "Sport Racer"	106.38
3521	"Mr. Taxi" Decal Set	14.46
3522	"Police Chief" Decal Set	22.97
3523	"Fire Chief" Decal Set	18.08

ALL PRICES ARE SUBJECT TO CHANGE WITHOUT PRIOR NOTICE

PART	DESCRIPTION	PRICE
3524	“Eyes” Decal Set	5.10
3531	Rear “Red” Reflector	2.10
3532	Rear “Yellow” Reflector	2.40
3533	Rear “Red Rectangular” Reflector	2.00
3561	Body Mount	1.65
3562	Steering Wheel Pad “Front Wheel Drive”	13.00
3563	Front Body Cushion “Sport Racer”	1.91
3564	Steering Wheel Pad “Sport Racer”	13.30
3601	Bumper Shock Absorber	5.90
3605	Bumper Shock Belt	1.10
3701	Guard Rail Bracket	12.80
4000	“Mr. Taxi” Electric Kidzkart	Call
4005	“Police Chief” Electric Kidzkart	Call
4010	“Fire Chief” Electric Kidzkart	Call
4013	Steering U-Joint w/Set Collar	74.23
4024	Wheel Sheave w/Washer	10.08
4030	Spare Parts Kit Deluxe (4000)	422.26
4031	Spare Parts Kit Standard (4000)	114.10
4105	Steering Mount/Pan Assy. w/Yokes “Sport Racer”	115.57
5000	“Sport Racer” Electric Red Kidzkart	NLA
5005	“Sport Racer” Electric Yellow Kidzkart	NLA
5030	Spare Parts Kit Deluxe (5000)	350.00
5031	Spare Parts Kit Standard (5000)	125.00



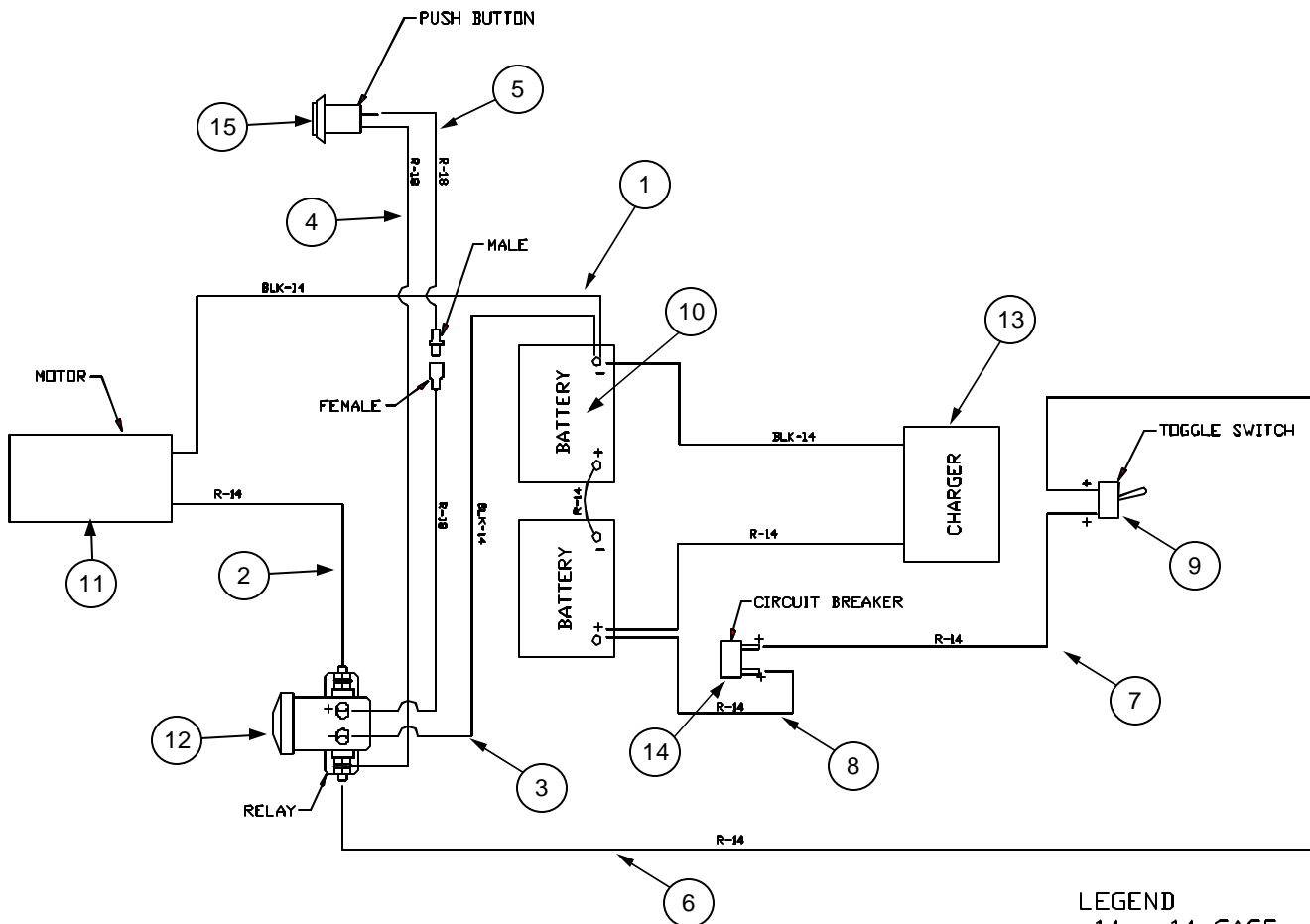
ALL PRICES ARE SUBJECT TO CHANGE WITHOUT PRIOR NOTICE

KIDZKART 5000				
Ref#	Part #	Qty.	Description	Price
01				

Call For More Info

ALL PRICES ARE SUBJECT TO CHANGE WITHOUT PRIOR NOTICE

**This Parts Book and all Parts Books are available on the WEB.
Get the latest news & updates: <http://www.jjamusements.com>**



LEGEND
 -14 = 14 GAGE
 -18 = 18 GAGE
 R = RED
 BLK = BLACK

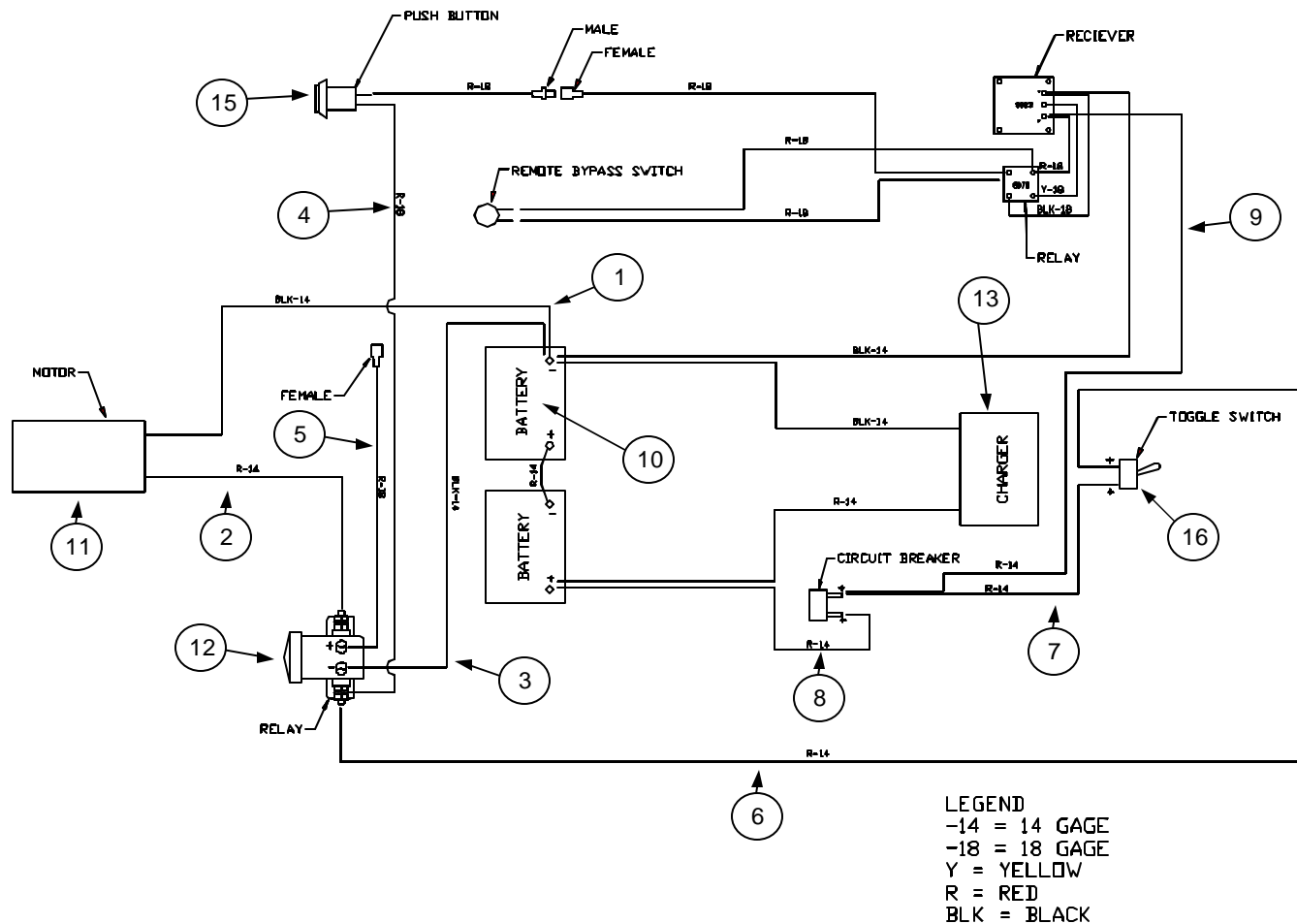
KIDZKART THROTTLE & WIRING

Ref#	Part #	Qty.	Description	Price
01	1-60-A0005	1	Wire Assy., 29" Black 12Ga. Male Spade x #10 Ring	\$ 1.10
02	1-60-A0006	1	Wire Assy., 27" Red 12Ga. Female Spade x 5/16 Ring	\$ 1.05
03	1-60-A0007	1	Wire Assy., 17" Black 12Ga. #10 Ring x #10 Ring	\$.60
04	1-60-A0011	1	Wire Assy., 30" Yellow 16Ga. 5/16 Ring x Female Spade	\$ 1.10
05	1-60-A0010	1	Wire Assy., 30" Blue 16Ga. #10 Ring x Female Spade	\$ 1.10
06	1-60-A0012	1	Wire Assy., 64" Red 12Ga. 5/16 Ring x #10 Ring	\$ 1.50
07	1-60-A0013	1	Wire Assy., 33" Red 12Ga. #10 ring x #10 Ring	\$ 1.15
08	1-60-A0014	1	Wire Assy., 6" Red 12Ga. #10 Ring x 5/16 Ring	\$.25
09	KDZ3281	1	Switch, Toggle	\$ 9.70
10	KDZ3021	2	Battery, 12V Pressure/Vented "Kidzkart"	\$ 109.25
11	KDZ3020	1	Motor, 24vdc Gear 122rpm "Kidzkart" (Brushes KDZ3491)	\$ 195.00
12	KDZ3285	1	Relay, Solenoid (24402) "Kidzkart"	\$ 44.91
13	KDZ3287	1	Charger, Battery Automatic 24v "Kidzkart" Jap/Sch	\$ 120.00
14	KDZ3283	1	Circuit Breaker (72006) "Kidzkart"	\$ 3.40
15	KDZ3295	1	Button, Start (Green) "Kidzkart"	\$ 3.00

ALL PRICES ARE SUBJECT TO CHANGE WITHOUT PRIOR NOTICE

KIDZKART THROTTLE W/REMOTE

J&J

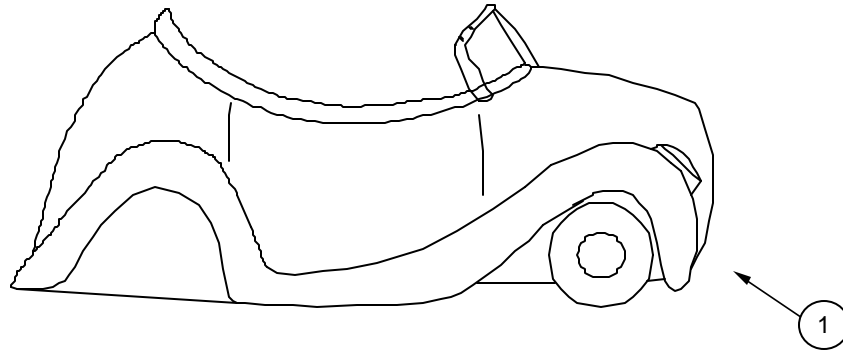


KIDZKART THROTTLE & WIRING W/REMOTE

Ref#	Part #	Qty.	Description	Price
01	1-60-A0005	1	Wire Assy., 29" Black 12Ga. Male Spade x #10 Ring	\$ 1.10
02	1-60-A0006	1	Wire Assy., 27" Red 12Ga. Female Spade x 5/16 Ring	\$ 1.05
03	1-60-A0007	1	Wire Assy., 17" Black 12Ga. #10 Ring x #10 Ring	\$.60
04	1-60-A0011	1	Wire Assy., 30" Yellow 16Ga. 5/16 Ring x Female Spade	\$ 1.10
05	1-60-A0010	1	Wire Assy., 30" Blue 16Ga. #10 Ring x Female Spade	\$ 1.10
06	1-60-A0012	1	Wire Assy., 64" Red 12Ga. 5/16 Ring x #10 Ring	\$ 1.50
07	1-60-A0013	1	Wire Assy., 33" Red 12Ga. #10 ring x #10 Ring	\$ 1.15
08	1-60-A0014	1	Wire Assy., 6" Red 12Ga. #10 Ring x 5/16 Ring	\$.25
09	1-60-A0015	1	Wire Assy., 20" Red 12Ga. #10 Ring x #10 Ring	\$.65
10	KDZ3021	2	Battery, 12V Pressure/Vented "Kidzkart"	\$ 109.25
11	KDZ3020	1	Motor, 24vdc Gear 122rpm "Kidzkart" (Brushes KDZ3491)	\$ 195.00
12	KDZ3285	1	Relay, Solenoid (24402) "Kidzkart"	\$ 44.91
13	KDZ3287	1	Charger, Battery Automatic 24v "Kidzkart" Jap/Sch	\$ 120.00
14	KDZ3283	1	Circuit Breaker (72006) "Kidzkart"	\$ 3.40
15	KDZ3295	1	Button, Start (Green) "Kidzkart"	\$ 3.00
16	KDZ3281	1	Switch, Toggle	\$ 9.70

ALL PRICES ARE SUBJECT TO CHANGE WITHOUT PRIOR NOTICE

This Parts Book and all Parts Books are available on the WEB.
 Get the latest news & updates: <http://www.jjamusements.com>



BODY KIDZKART


Ref#	Part #	Qty.	Description	Price
01	KDZ3501	1	Body, Taxi "Kidzkart"	\$ 478.72
01	KDZ3502	1	Body, Police "Kidzkart"	\$ 478.72
01	KDZ3503	1	Body, Fire "Kidzkart"	\$ 478.72
01	KDZ3508	1	Body, Fire Truck "Kidzkart"	\$ 531.91
**	KDZ3506	1	Body, Sport Racer (Red) "Kidzkart"	\$ 425.53
**	KDZ3507	1	Body, Sport Racer (Yellow) "Kidzkart"	\$ 425.53
**	KDZ3508	1	Body, Fire Truck "Kidzkart"	\$ 531.91
**	KDZ3511	1	Body Wheel, Front Left "Kidzkart"	\$ 106.38
**	KDZ3512	1	Body Wheel, Front Right "Kidzkart"	\$ 106.38
**	KDZ3513	1	Body Seat, (toon car) "Kidzkart"	\$ 106.38
**	KDZ3516	1	Body Seat, Sport-Racer "Kidzkart"	\$ 106.38
**	KDZ3517	1	Body Wrecker Boom, "Kidzkart"	\$ 53.19
**	KDZ3518	1	Body Ladder, Fire Truck "Kidzkart"	\$ 53.19
**	KDZ3519	1	Body Hose, Fire Truck "Kidzkart"	\$ 53.19
**	KDZ3520	1	Body Seat, Fire Truck "Kidzkart"	\$ 106.38
**	KDZ3521	1	Decal set, (Taxi) "Kidzkart"	\$ 14.46
**	KDZ3522		Decal set, (Police) "Kidzkart"	\$ 22.97
**	KDZ3523		Decal set, (Fire) "Kidzkart"	\$ 18.08
**	KDZ3524		Decal, (Eyes) "Kidzkart"	\$ 5.10
**	KDZ3531		Reflector, Round (Red) "Kidzkart"	\$ 2.10
**	KDZ3532		Reflector, Round (Yellow) "Kidzkart"	\$ 2.40
**	KDZ3533		Reflector, Rectangular (Red) "Kidzkart"	\$ 2.00

ALL PRICES ARE SUBJECT TO CHANGE WITHOUT PRIOR NOTICE

Customer Service

For specific technical or parts questions about J&J
Bumper Boats, Go-Karts or Parts, please call
800-854-3140 (U.S.) or 503-304-8899

Service@jjamusements.com
<http://www.jjamusements.com>



J&J Amusements Inc.
Parts Department
Part No. 1-60-0057
\$8.50 per copy

ALWAYS USE YOUR CUSTOMER NUMBER



4897 Indian School Road NE Suite 150
Salem, Oregon 97305-1126 USA
PHONE (503) 304-8899 or (800) 854-3140
FAX (503) 304-1899 or (800) 366-7505
E-MAIL: parts@jjamusements.com

Internet Address:
<http://www.jjamusements.com>

BULK RATE
U.S. POSTAGE
P A I D
SALEM, OR 97305
PERMIT No. 472