



STINGER

PARTS GUIDE



STINGER



This Parts Book and all Parts Books are available on the WEB.
Order Online, Get all the latest News and Updates.

<http://www.jjamusements.com>



NOTE

Our dedication to constant development necessitates that descriptions and specifications are subject to change without notice.

PREFACE

SAFETY NOTICE

Proper service and repair procedures are vital to safe, reliable operation of Go-Karts and Bumper Boats as well as personal safety of those performing repairs. Refer to your J&J Service Manual for servicing and repairing J&J Go-Karts and Bumper Boats. Always use safe and effective methods. The Service Manual contains many *NOTES*, *CAUTIONS* and *WARNINGS* which should be followed along with standard safety procedures to eliminate the possibility of personal injury or improper service which could be damaging to your equipment or compromise its safety.

It is important to note that repair procedures, techniques, tools and parts for servicing Go-Karts and Bumper Boats as well as the skill and experience of the individual performing work vary widely. It is not possible to anticipate all conceivable ways or conditions under which Go-Karts and Bumper Boats may be serviced or to provide cautions to all possible hazards that may result. Standard precautions should be used when handling toxic or flammable fluids, and safety goggles or other protection should be used during cutting, grinding, chiseling, prying or any other process that can cause material removal or projectiles. J&J recommends use of safety goggles or approved glasses during all servicing.

All information contained in this Parts Guide is based on the latest product information and prices available at time of printing. We reserve the right to make changes at any time without notice. No part of this publication may be reproduced, stored in a retrieval system or transmitted, in any form by any means, electronic, mechanical, photocopying, recording, or otherwise, without the prior written permission of J&J Amusements, Inc. A Corporation of Oregon. This includes text, figures and tables.

How To Contact Us

Street & Mailing Address

4897 Indian School Road NE Suite 150
Salem, Oregon 97305-1126 USA

Telephone Number

Toll Free: 1 (800) 854-3140
(503) 304-8899

Fax Number

Toll Free: 1 (800) 366-7505
(503) 304-1899

Internet Address

<http://www.jjamusements.com>

E-Mail: parts@jjamusements.com

Technical Service

We offer 7 day technical assistance.

Call for details.

service@jjamusements.com

J&J Amusements, Inc. General Order and Shipment Policy

J&J Amusements, Inc. appreciates our customers . We will do our best to provide quality parts and service. Your business is important to us so we want you to fully understand our policy guidelines. Remember they are only guidelines: questions, suggestions and even complaints are always welcome.

NEW ACCOUNTS: New accounts are welcome! Open account terms are available to customers upon credit approval. Contact us for a credit application. Please be sure to furnish accurate, complete, year round mailing and shipping addresses and phone numbers. Credit approval takes approximately 3-4 weeks.

OPEN ACCOUNT TERMS: Customers with approved credit applications are allowed net prices as long as payment is received within 30 days of invoice date. A late fee of 1 1/2% per month will be assessed to the balance on any past due invoice. In addition, if your account is 60 days past due is will be placed on CREDIT HOLD.



VISA, MASTERCARD, AMERICAN EXPRESS: For your convenience we accept VISA, MasterCard and American Express. We never charge your credit card until we ship your order.

ORDERING: It is important to order all parts by correct part number. This will speed your order and help eliminate errors. You may phone, fax or e-mail your orders.

- Phone orders 1-800-854-3140 International orders call 1-503-304-8899
- Fax orders 1-800-366-7505 International orders call 1-503-304-1899. To ensure accuracy, fax form in the back of this book must be filled out completely with customer number, bill to, ship to, phone number and shipping (ground, 2nd day, overnight, overnight Saturday, or truck line). Every line item must have the part number, quantity and description clearly printed to receive discount.
- E-Mail Orders: parts@jjamusements.com
- On-Line Orders: <http://www.jjamusements.com>

HOURS: Business hours are 8:00am to 4:30pm Pacific Time Monday thru Friday. Fax and e-mail orders can be received 24 hours a day.

PRICES: J&J Amusements, Inc. makes every effort to offer competitive prices and to maintain pricing for the life of the annual catalog. In some cases, price adjustments must be made and J&J Amusements, Inc. reserves the right to change pricing without notice.

BACK ORDERS: Back orders are shipped automatically with the same terms as the original order. Back orders will be shipped ASAP unless you elect to: batch all back orders for periodic shipment or cancel all back orders. You must notify J&J Amusements, Inc. in writing if you wish to utilize either of the above options.

SHIPPING: We will endeavor to ship all orders *same day* and do our best to follow your special shipping instructions. We normally ship orders under 150 lbs. by UPS. Larger orders will be shipped by freight lines.



COD SHIPMENT: Large orders shipped COD will be divided into two or more cartons. The total COD amount will be pro-rated by value of each carton's contents. **COD orders of \$1,000 or more are shipped cashiers check only.**

REFUSED COD SHIPMENTS: Our **FULL** restocking fee plus freight both ways, will be charged to your next order if you refuse a COD shipment.

BAD CHECKS: Any account having a returned check (for any reason) will be placed on COD cash only. To avoid legal action, the check must be redeemed by a certified check or bank money order and all returned checks will be charged a \$25.00 fee. If legal action is necessary, the customer will be responsible for all charges incurred in collection.

URGENT PART ORDERS: UPO's should be submitted only when fastest service is required to provide individual customer satisfaction. UPO's are given highest priority handling by J&J Amusements, Inc. This order method should not be used for stocking purposes. **All extra shipping and handling charges incurred will be charged to customer.**

SHORTAGES: Must be reported at the time the package is opened - **NO EXCEPTIONS.** All orders are checked for accuracy after picking and are weighed to 1/10th of an ounce to give us three ways of checking.

DAMAGES: Must be reported at the time the package is opened - **NO EXCEPTIONS. ALL BOXES AND PACKING MUST BE SAVED** to receive credit for damages. We will pay shipping charges.

FREIGHT CLAIMS: If packages delivered by freight carrier arrive in broken or mutilated boxes or if shipments are incomplete, be sure the driver notes on your bill of lading. **Claims against freight carriers are made by the recipient, not J&J Amusements, Inc..**

RETURNED GOODS POLICY: **A Return Merchandise Authorization (RMA#) is required for all returns. NO EXCEPTIONS.** The RMA# must be displayed on exterior of return shipping carton. Only items authorized (listed) on RMA# may be returned. Obsolete and discontinued merchandise cannot be returned (current merchandise is that which appears in current annual catalog/price book). A 15% restocking fee will be charged on all returns, except for errors made by J&J Amusements, Inc. Freight will be paid by customer except for shipping errors caused by J&J Amusements, Inc. Returned merchandise must be in good resale condition, in original J&J Amusements, Inc. package (where applicable) and cannot be altered with customer labels, stickers, numbers etc.. Returned goods which do not have an RMA# will be refused.

WARRANTY RETURN POLICY: All warranty item returns must be authorized by the Warranty Department and have an assigned RMA# before any adjustment or credit will be given. The RMA# must appear next to the shipping label on all returned items for proper credit to be issued. All credits issued will be applied to future purchases

TAXES: Prices in this book do not include your state, local, or other applicable sales taxes or any other taxes that may be required. The purchaser is responsible for all tax associated with purchasing goods and must take all steps required to pay directly all taxes due.

DOUBLE CHECK ALL PART NUMBERS AND DESCRIPTIONS BEFORE PLACING ORDER
Please call us Toll Free at 1-800-854-3140 or 1-503-304-8899 for assistance.



ORDERING INFORMATION

To Place An Order:

J&J makes it easy to place your order anytime. Order online, send us a fax, e-mail or give us a call. All orders receive immediate attention and ship straight to your facility.

The preferred method of ordering is at our Online Store <http://www.jjamusements.com>. If you fax your order, it's very important to order all parts by correct part number. This will speed your order and help eliminate errors. You may phone your order using our toll free number, 1-800-854-3140 or fax your order to 1-800-366-7505. For customers outside the US call 503-304-8899 or fax 503-304-1899. E-Mail, our address is parts@jjamusements.com

****NOTE ON FAX ORDERS:** Fax forms in the back of this book must be filled out completely with customer number, bill to, ship to, phone number and shipping (ground, 2nd day, overnight, overnight Saturday). Every line item must have the part number, quantity and description. See next page for an order form example.

Office Hours

Our offices are open to receive phone orders

Pacific	8:00am to 4:30pm
Mountain	9:00am to 5:30pm
Central	10:00am to 6:30pm
Eastern	11:00am to 7:30pm
Greenwich	4:00pm to 12:30am
Geneva	5:00pm to 1:30am
Buenos Aires	1:00pm to 9:30pm
Tokyo	1:00am to 9:30am
Sydney	2:00am to 10:30am

UPS Charges

COD collection fee - \$5.50 Insurance - each package with declared value of \$100 or over - .35 cents per \$100.

UPS Regular - 5 to 7 days delivery

UPS 3rd Day - within 3 working days

UPS Blue - within 2 working days

UPS Red - Next Day delivery

UPS Red Saturday - Available in most areas

UPS International - Available in most areas

Ordering Procedures:

Follow these simple guidelines, whether you order Online, Call, Fax or E-mail.

When you Order Online:

1. Go to <http://www.jjamusements.com>
2. Use your customer number
3. Fill out all information correctly
4. Note shipping method desired

When you call, please have:

1. Your customer number
2. Item number and description
3. Current Parts Manual for quick reference

When you fax:

1. List customer number, phone number, and proper bill to and shipping address.
2. List quantity, item number and description clearly
3. Note shipping method desired

When you e-mail:

1. List customer number and proper bill to and shipping address.
2. List quantity, item number and descriptions clearly
3. Note shipping method desired
4. List return e-mail address and phone number

Orders will ship UPS Regular if not stated otherwise.

RETURN POLICY

* ABSOLUTELY NO RETURNS PERMITTED AFTER 30 DAYS

*RMA NUMBER REQUIRED FOR ALL RETURNS, ALL ITEMS RECEIVED WITHOUT RMA NUMBER DISPLAYED ON OUTSIDE OF PACKAGE WILL BE REFUSED

* NO RETURNS WITHOUT PRIOR AUTHORIZATION

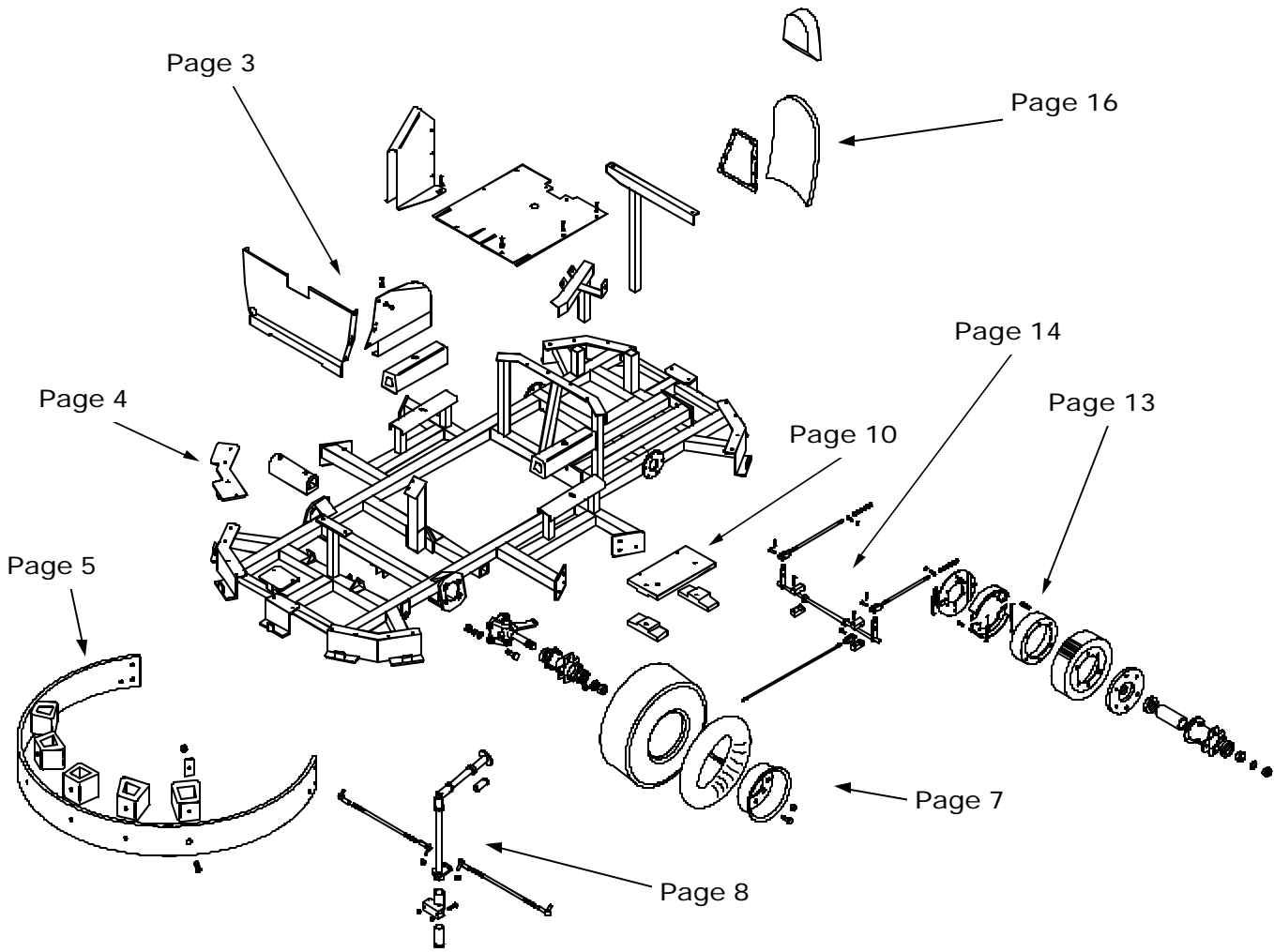
Table of Contents

FRAME	1
FRAME	2
PANELS	3
FRAME BRACKETS	4
BUMPER	5
AXLE	6
SPINDLE & TIRE	7
STEERING	8
PEDALS	9
MOTOR MOUNT	10
ENGINE	11
ENGINE	12
BRAKES	13
BRAKES	14
BODY	15
PADS	16
FAX ORDER FORMS	BACK

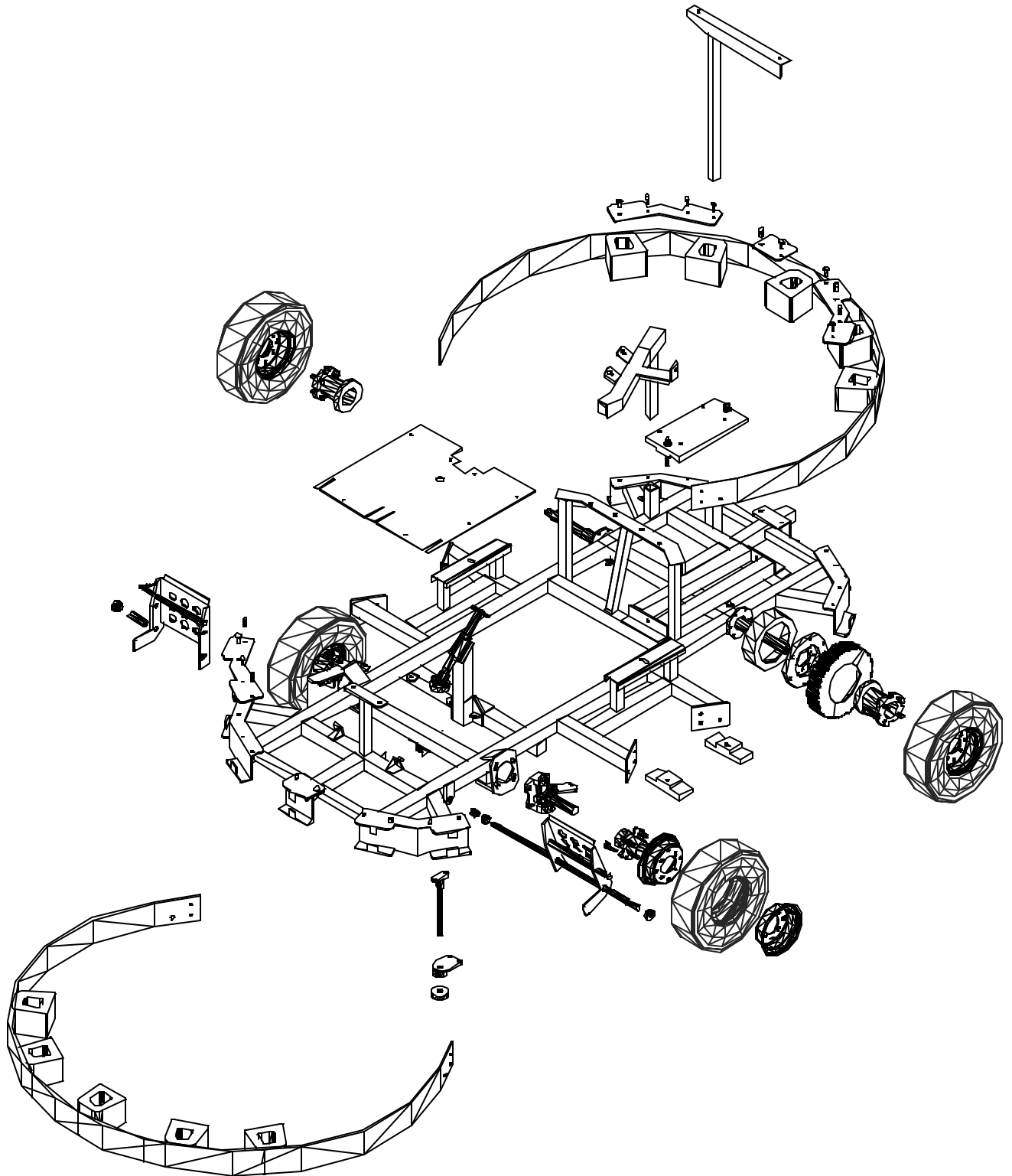
ALL PRICES ARE SUBJECT TO CHANGE WITHOUT PRIOR NOTICE

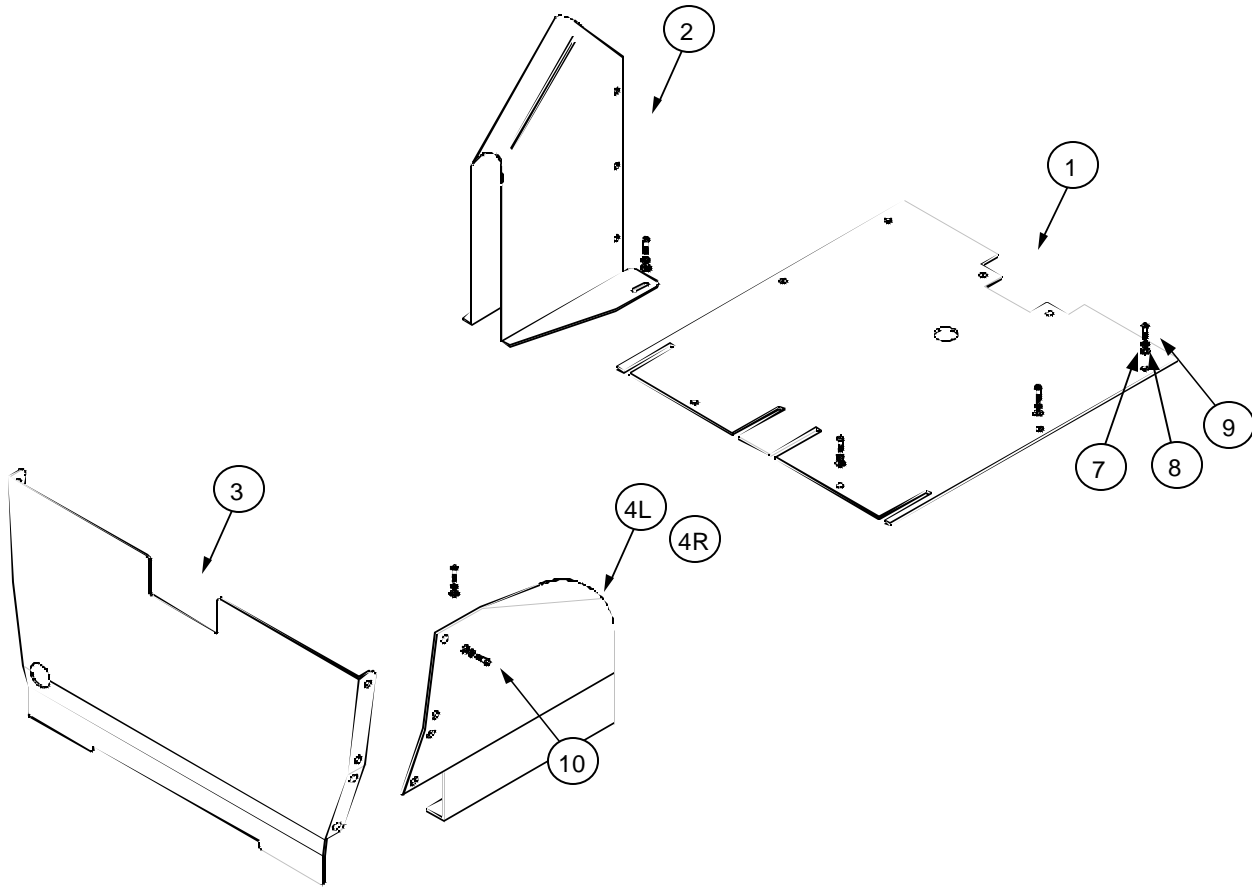
ALL PRICES ARE SUBJECT TO CHANGE WITHOUT PRIOR NOTICE

**This Parts Book and all Parts Books are available on the WEB.
Get the latest news & updates: <http://www.jjamusements.com>**



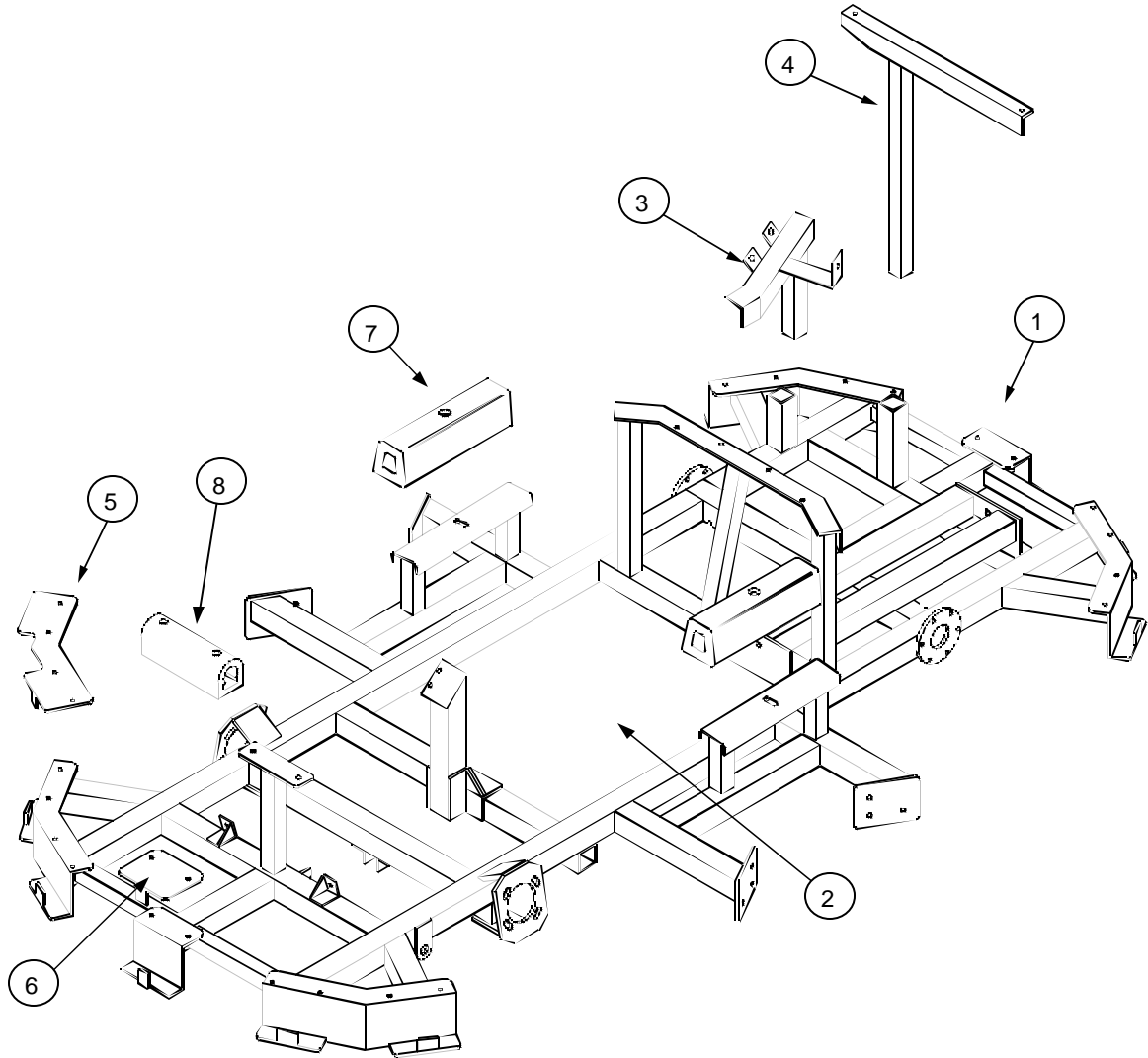
ALL PRICES ARE SUBJECT TO CHANGE WITHOUT PRIOR NOTICE



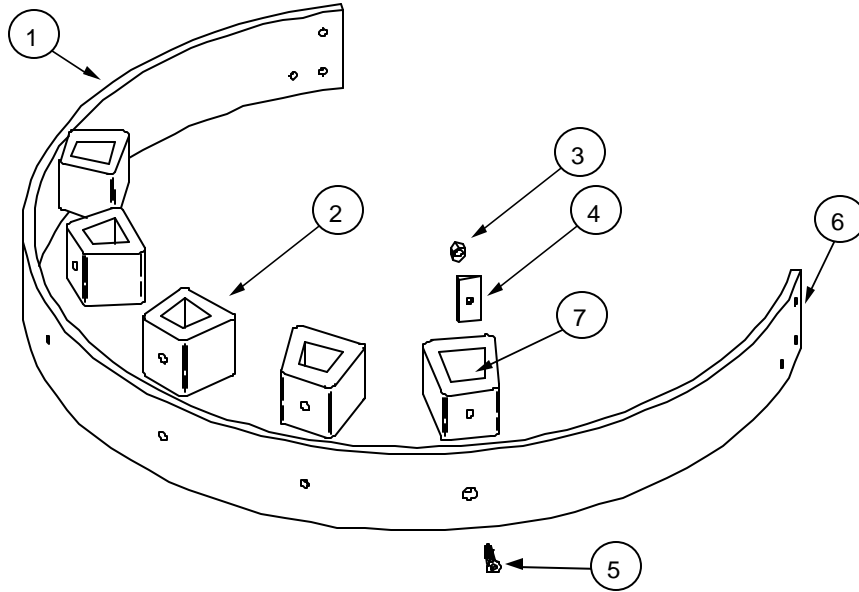


FRAME				
Ref#	Part #	Qty.	Description	Price
01	21010	1	Floor, Pan "Stinger"	\$ 30.85
02	21031	1	Cover, Steering Column "Stinger"	\$ 19.80
03	21030	1	Cover, Pedals (Center) "Stinger"	\$ 24.50
03A	A21030	1	Cover Assembly, Pedal "Stinger"	\$ 51.95
04L	21029	1	Cover, Pedals (Left Side) "Stinger"	\$ 13.40
04R	21028	1	Cover, Pedals (Right Side) "Stinger"	\$ 13.40
05		1		\$
06		1		\$

ALL PRICES ARE SUBJECT TO CHANGE WITHOUT PRIOR NOTICE



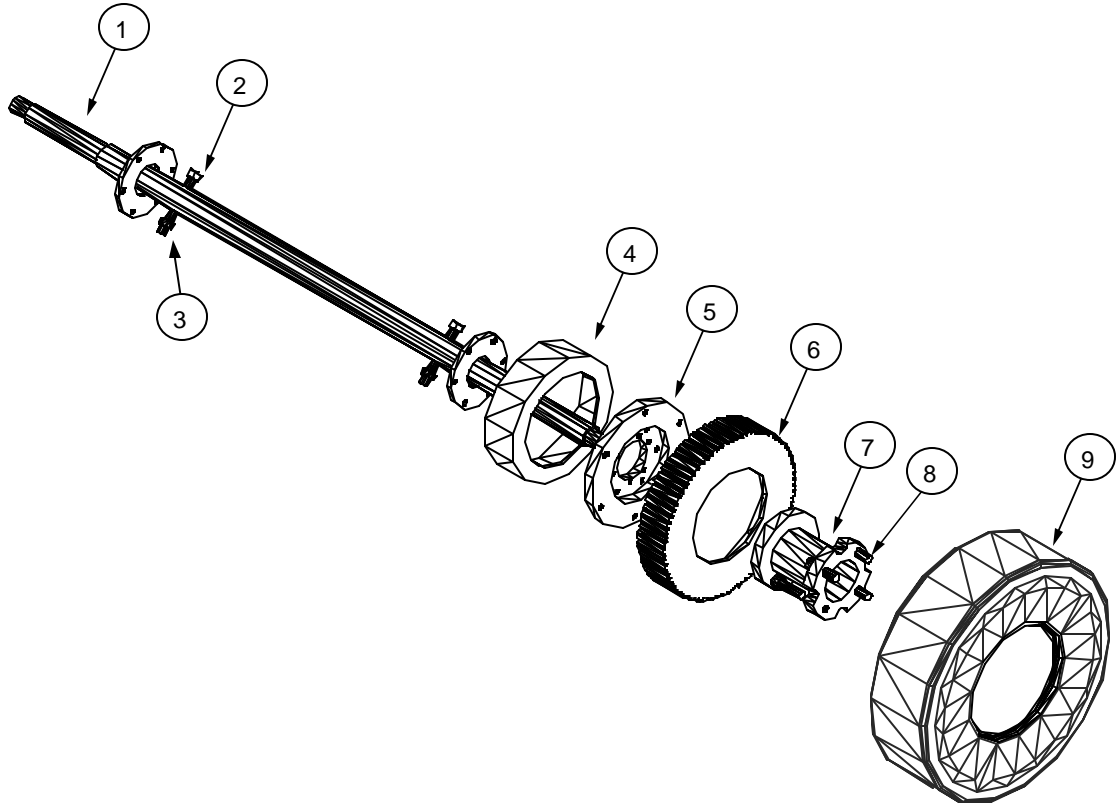
FRAME				
Ref#	Part #	Qty.	Description	Price
01	21000	1	Frame, Stinger	\$ 696.80
02	21010	1	Floor, Pan "Stinger"	\$ 30.85
03	21013	1	Bracket, Fuel Tank "Stinger"	\$ 29.70
04	21016	1	Support, Rear Body "Stinger"	\$ 10.65
05	21011	4	Plate, Bumper Corner "Stinger" (Top)	\$ 15.50
06	21015	2	Plate, Bumper Center "Stinger" (Top)	\$ 5.00
07	A21005	2	Rubber, Side Body Mount "Stinger" 3.75" x 3.75" x 9"	\$ 6.25
08	A21004	1	Rubber, Front Body Support "Stinger" 2" x 2" x 5"	\$ 2.55



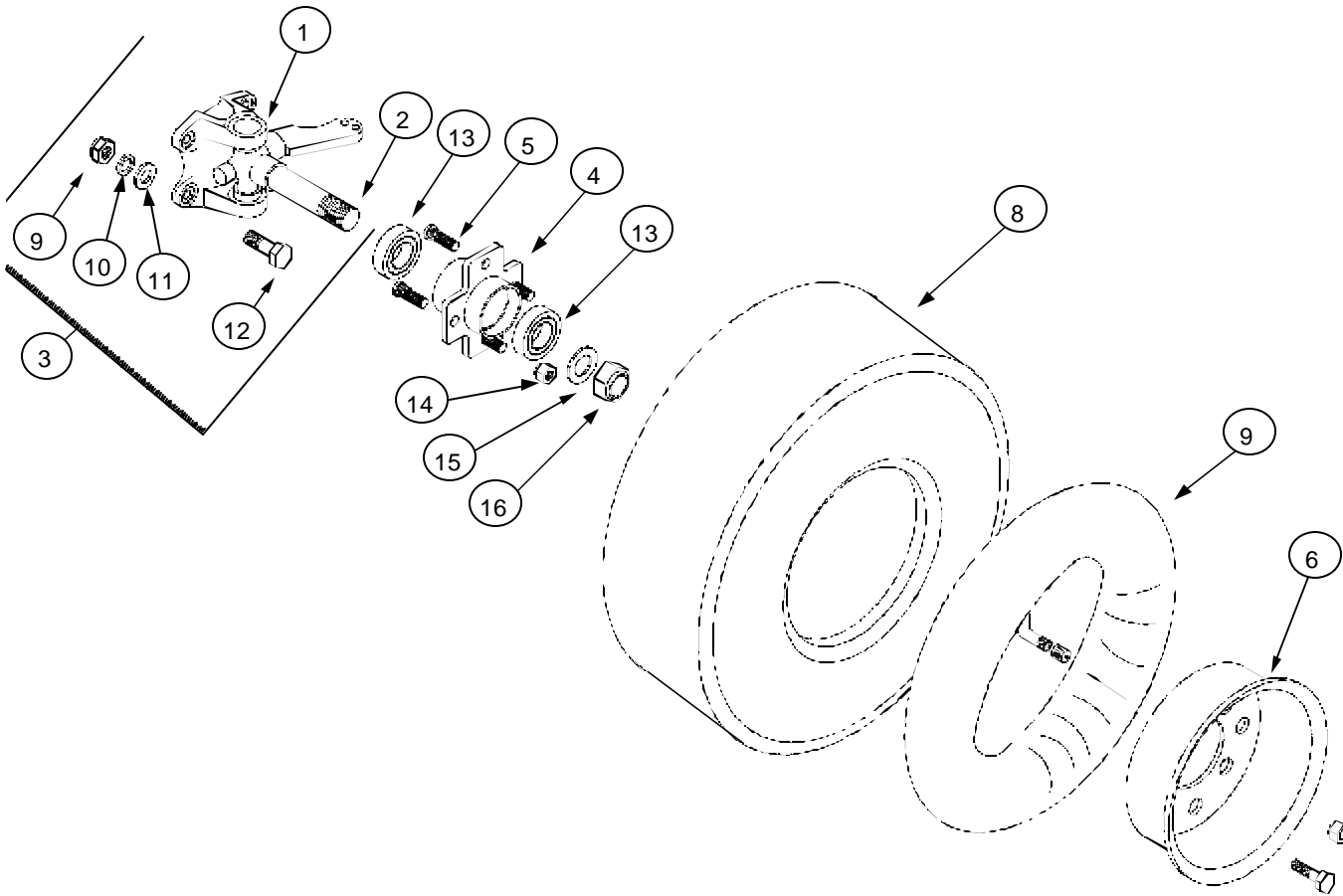
STINGER BUMPER

Ref#	Part #	Qty.	Description	Price
01	21018	2	Bumper, 1/2" x 4" x 103" UHMW "Stinger"	\$ 54.80
02	00833	10	Rubber, "A" Style 3 x 3-3/4 x 3-3/4" (Cut & Drilled)	\$ 4.25
03	00960	22	Nut, 5/16-18 Z Nylock	\$.10
04	00974	10	Plate, 3" Outer	\$ 1.00
05A	00955	12	Bolt, 5/16-18 x 1 FHSC	\$.15
05B	00954	10	Bolt, 5/16-18 x 2 FHSC	\$.25
06	00975			\$
07	00975	10	Plate, 3" Inner	\$ 1.00

ALL PRICES ARE SUBJECT TO CHANGE WITHOUT PRIOR NOTICE



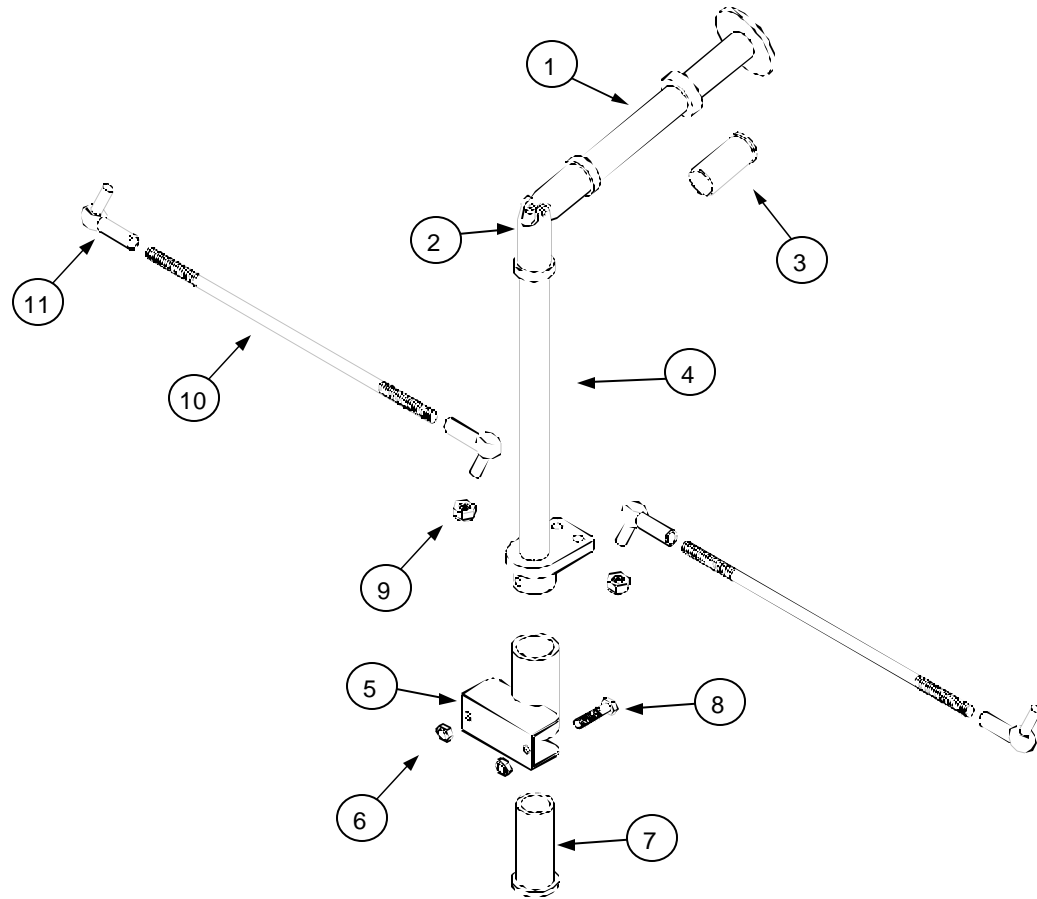
AXLE				
Ref#	Part #	Qty.	Description	Price
01	21006	1	Axle, "Stinger"	\$ 80.20
04	08139	2	Drum, Brake 6" (Chromed-Internal shoe)	\$ 29.20
05	02550	2	Brake Assy, 6" Internal Shoe (Includes shoes -No Drum)	\$ 73.10
06	01014	1	Pulley, Cog 80T Aluminum (Use With Hub & Bushing)	\$ 42.35
07	0105971	2	Hub, Floater (Tight Race)(Fits 3/8" Screw In Stud)	\$ 57.10
08	009514	8	Bolt, 3/8-24 X 1 1/4 SHCS (Wheel Stud for Floater Hub)	\$.30
09	007881	4	Tire, Bigfoot III 12.0 x 4.00 - 5"	\$ 10.99



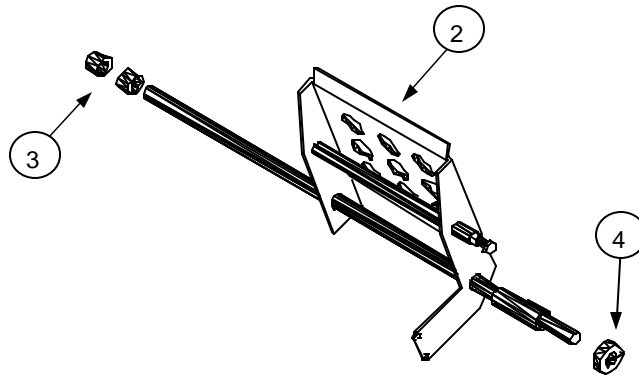
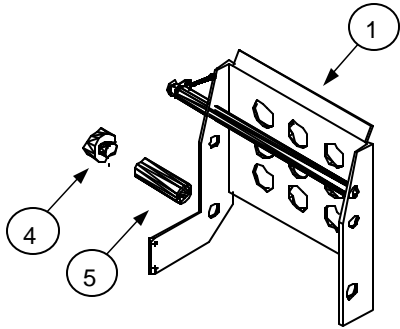
SPINDLE & TIRE

Ref#	Part #	Qty.	Description	Price
01	01056	1	Mount, Spindle (Yoke)	\$ 31.50
02A	21007	1	Spindle, Left "Stinger"	\$ 28.50
02B	210070	1	Spindle, Right "Stinger"	\$ 28.50
03A	A21007	1	Spindle, Assembly -Left- "Stinger"	\$ 54.77
03B	A210070	1	Spindle, Assembly -Right- "Stinger"	\$ 54.77
04	00847	2	Hub, Front Bare (Fits Screw In 3/8" Stud)	\$ 47.00
05	009513	8	Bolt, 3/8-24 x 1 SHCS (Wheel Stud for Front & Rear Hubs)	\$.20
08A	007881	4	Tire, Bigfoot III 12.0 x 4.00 - 5"	\$ 10.99
08B	00780	4	Tube, Bent Stem (3.40/3.00-5")	\$ 2.35
09	009280		Nut, 3/8-24 Top Lock	\$.11
10	00963		Washer, 5/16 Z Flat	\$.11
11				\$
12	01375		Bolt, 3/8-24 x 1-1/4 B5-Z	\$.16
13	00851P		Bearing, Front Hub	\$ 4.73
14				\$
15				\$
16	009421		Nut, 3/4-16 Z Nylock	\$ 1.85

ALL PRICES ARE SUBJECT TO CHANGE WITHOUT PRIOR NOTICE

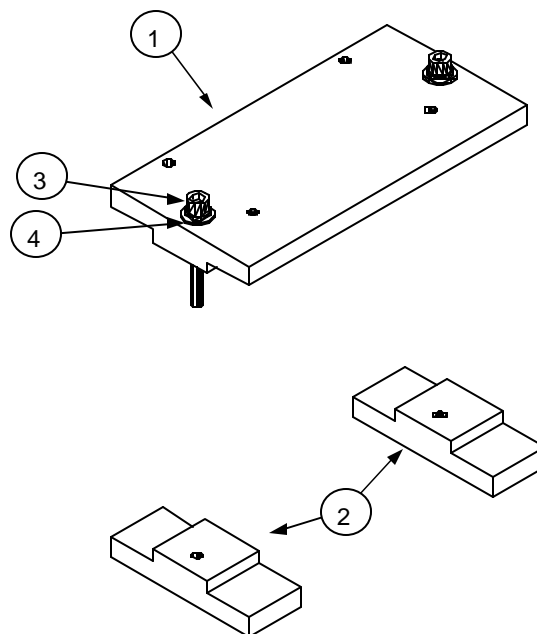


STEERING					
Ref#	Part #	Qty.	Description		Price
01	21021	1	Steering Shaft, Upper "Stinger"	\$	23.40
02				\$	
03	21024	1	Bushing, Steering (Delrin) "Stinger"	\$	15.10
04	21022	1	Steering Shaft, Lower "Stinger"	\$	23.40
05	21032	1	Mount, Steering Shaft "Stinger"	\$	60.83
06		1		\$	
07	21024	1	Bushing, Steering (Delrin) "Stinger"	\$	15.10
08				\$	
09	00931	4	Nut, 3/8-24 Z Hex	\$.11
10	21003	2	Tie Rod, 12" Left/Right "Stinger"	\$	14.40
11	00885	2	Rod End, 3/8" Studded R/H	\$	8.10
	008881	2	Rod End, 3/8" Studded L/H	\$	8.10
	009281	2	Nut, 3/8-24 Left-Hand Z Hex	\$.32



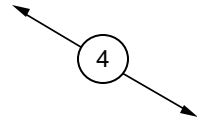
PEDALS				
Ref#	Part #	Qty.	Description	Price
01	21005	1	Pedal, Brake "Stinger"	\$ 20.21
02	21004	1	Pedal, Gas "Stinger"	\$ 20.21
03	00901	2	Spring, Pedal 7"	\$ 4.20
	21041		Spacer, Pedal Inside (Short Spacer) "Stinger"	\$ 3.94
	21040		Spacer, Pedal Outside (Long Spacer) "Stinger"	\$ 7.25
	21039		Crossbar, Pedals "Stinger"	\$ 3.85
	21038		Plate, Rear Body Mount "Stinger"	\$ 4.40
	008901		Split Collar, 1/2"	\$ 4.10
	00995		Nyliner Bearing (Throttle Cross Bar)(1/2" ID.)	\$ 1.00

ALL PRICES ARE SUBJECT TO CHANGE WITHOUT PRIOR NOTICE



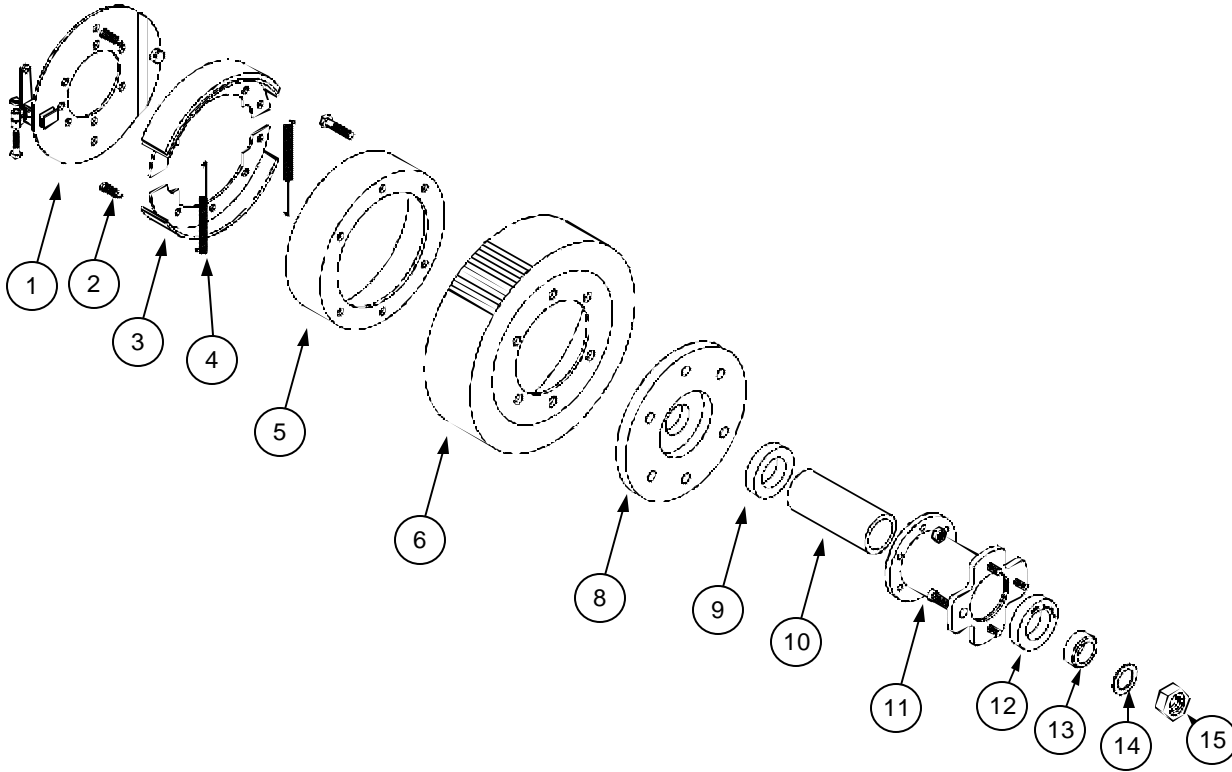
MOTOR MOUNT				
Ref#	Part #	Qty.	Description	Price
01	21008	1	Mount, Motor "Stinger" (Large Block)	\$ 40.50
02	21009	2	Mount, Motor "Stinger" (Small Block)	\$ 10.80
03		1		\$
04		1		\$
05		1		\$
06		1		\$

No Picture



ENGINE					
Ref#	Part #	HP #	Qty.	Description	Price
01			1		\$
02			1		\$
03			1		\$
04			1		\$
05			1		\$
06			1		\$

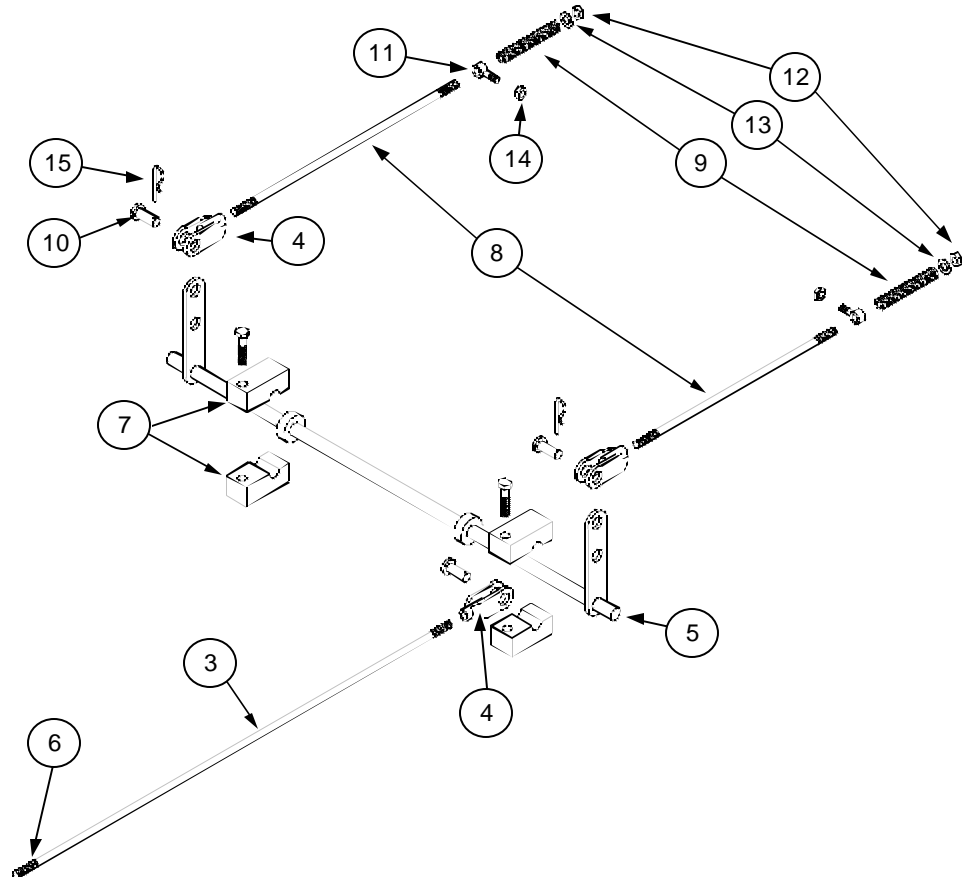
ALL PRICES ARE SUBJECT TO CHANGE WITHOUT PRIOR NOTICE



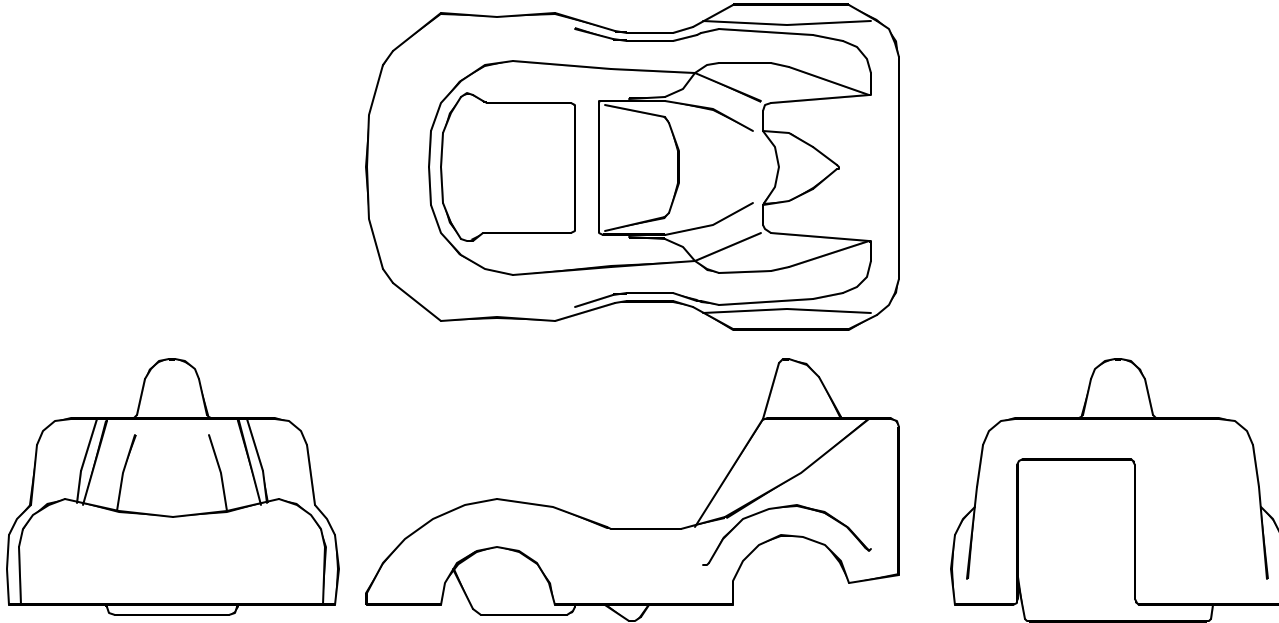
BRAKES

Ref#	Part #	Qty.	Description	Price
01	02550	1		\$
02		1		\$
03		1		\$
04		1		\$
05	08139	1		\$
06		1		\$

ALL PRICES ARE SUBJECT TO CHANGE WITHOUT PRIOR NOTICE



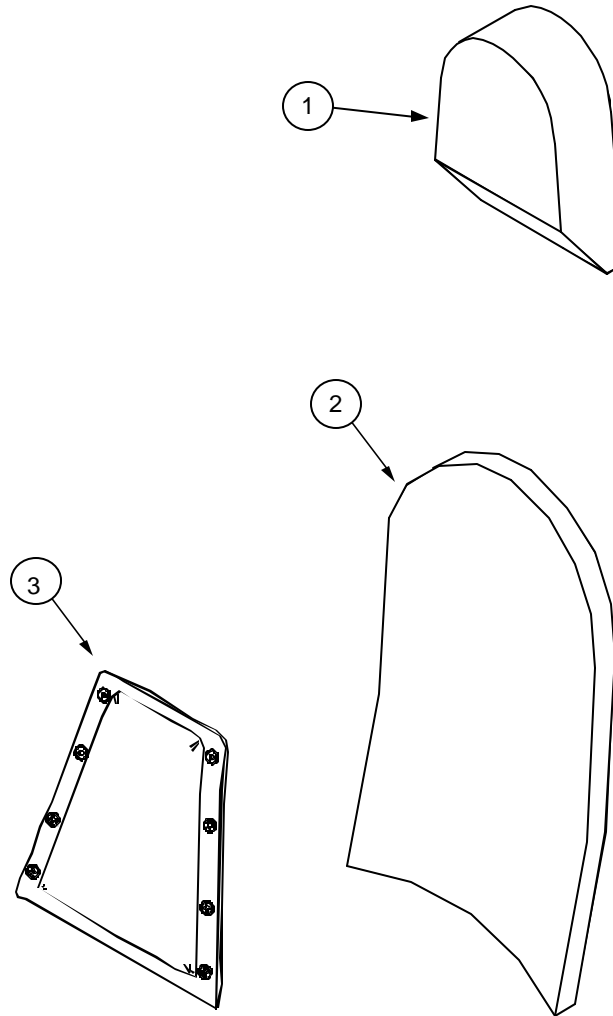
BRAKES				
Ref#	Part #	Qty.	Description	Price
01		1		\$
02		1		\$
03	A21000	1	Rod, Brake Pedal To Crossbar "Stinger"	\$ 1.34
04	01047	3	Clevis, 1/4"	\$ 5.15
05	21033	1	Rod, Brake Bar "Stinger"	\$ 19.70
06	00888	1	Rod End, 1/4"(F)	\$ 8.10
07	21034	4	Block, Brake Rod "Stinger"	\$ 7.47
08	A21001	2	Rod, Brake Drum To Crossbar "Stinger"	\$.47
09	21037	3	Spring, Return Drum Brake "Stinger"	\$ 2.98
10	01048	2	Pin, 1/4"	\$.13
11	21042	1	Guide, Brake Rod To Cross Bar "Stinger"	\$ 7.98
12	00949	2	Nut, 1/4-28 Z Nyloc	\$.14
13	00966	2	Washer, 1/4 Z Flat (33004)	\$.17
14	00948	2	Nut, 1/4-20 Z Nyloc	\$.11
15	01049	2	Clip, Spring	\$.30



BODY

Ref#	Part #	Qty.	Description	Price
**	01300	1	Body, Stinger (Solid Color)	\$ 425.00
**	01301	1	Body, Stinger (2-Tone Color)	\$ 479.00
**	0097048	1	Decal Pkg, Numbers Only, Scorpion/Stinger Stock Car Style	\$ 69.00
**	0097044	1	Decal, Package, Scorpion/Stinger Stock Car Style	\$ 185.00

ALL PRICES ARE SUBJECT TO CHANGE WITHOUT PRIOR NOTICE




PADS				
Ref#	Part #	Qty.	Description	Price
01	21019	1	Pad, Headrest "Stinger"	\$ 63.30
02	00848	1	Pad, Back F-16, Scorpion II, Stinger, Formed Seat	\$ 59.00
03	008613	1	Pad, Steering Post (Zip Tie Type)	\$ 21.00

Customer Service

For specific technical or parts questions about J&J
Bumper Boats, Go-Karts or Parts, please call
800-854-3140 (U.S.) or 503-304-8899

Service@jjamusements.com
http://www.jjamusements.com



J&J Amusements Inc.
Parts Department
Part No. 1-60-0056
\$8.95 per copy

ALWAYS USE YOUR CUSTOMER NUMBER



4897 Indian School Road NE Suite 150
Salem, Oregon 97305-1126 USA
PHONE (503) 304-8899 or (800) 854-3140
FAX (503) 304-1899 or (800) 366-7505
E-MAIL: parts@jjamusements.com

Internet Address:
<http://www.jjamusements.com>

BULK RATE
U.S. POSTAGE
P A I D
SALEM, OR 97305
PERMIT No. 472