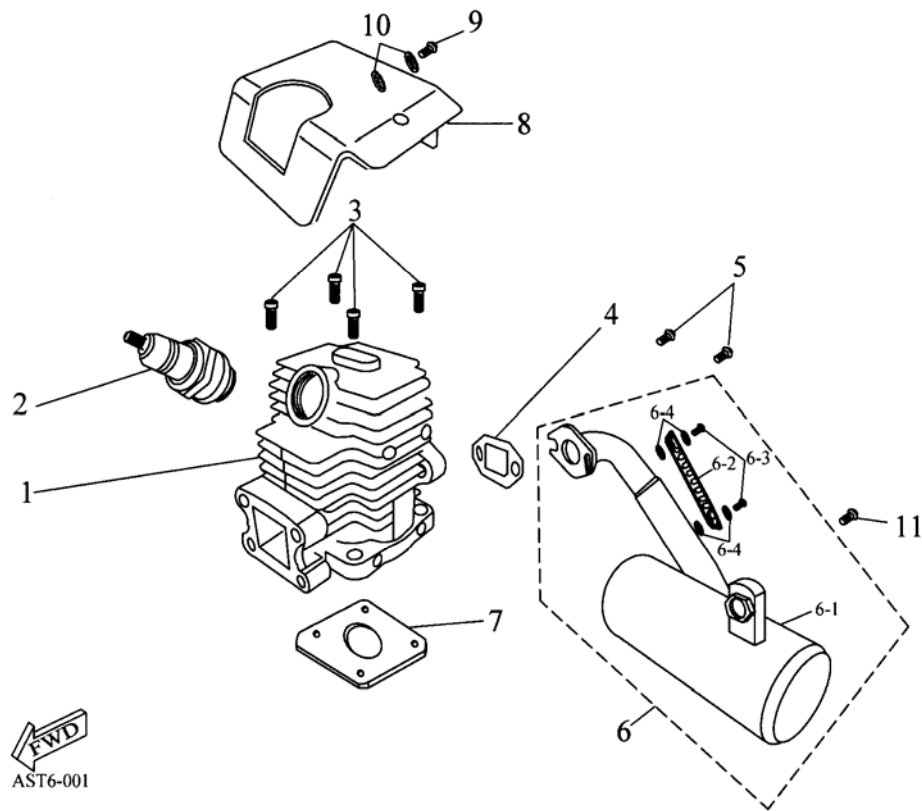
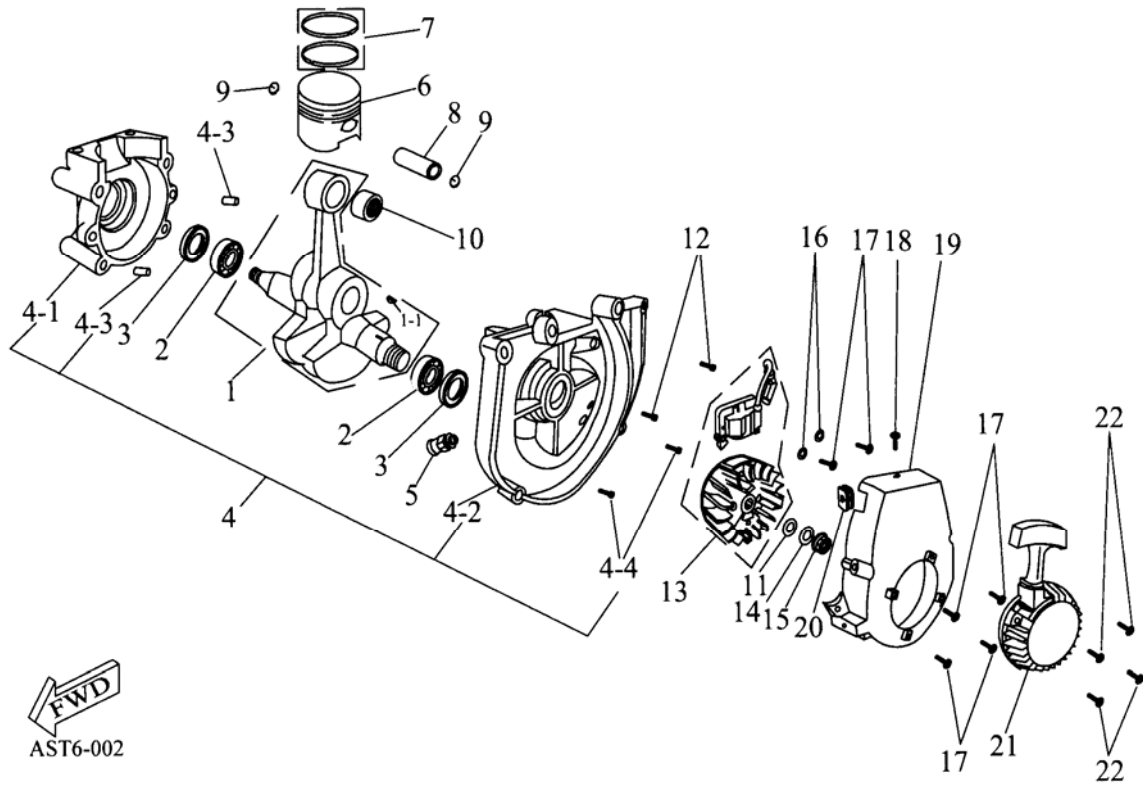


# D-1 CYLINDER



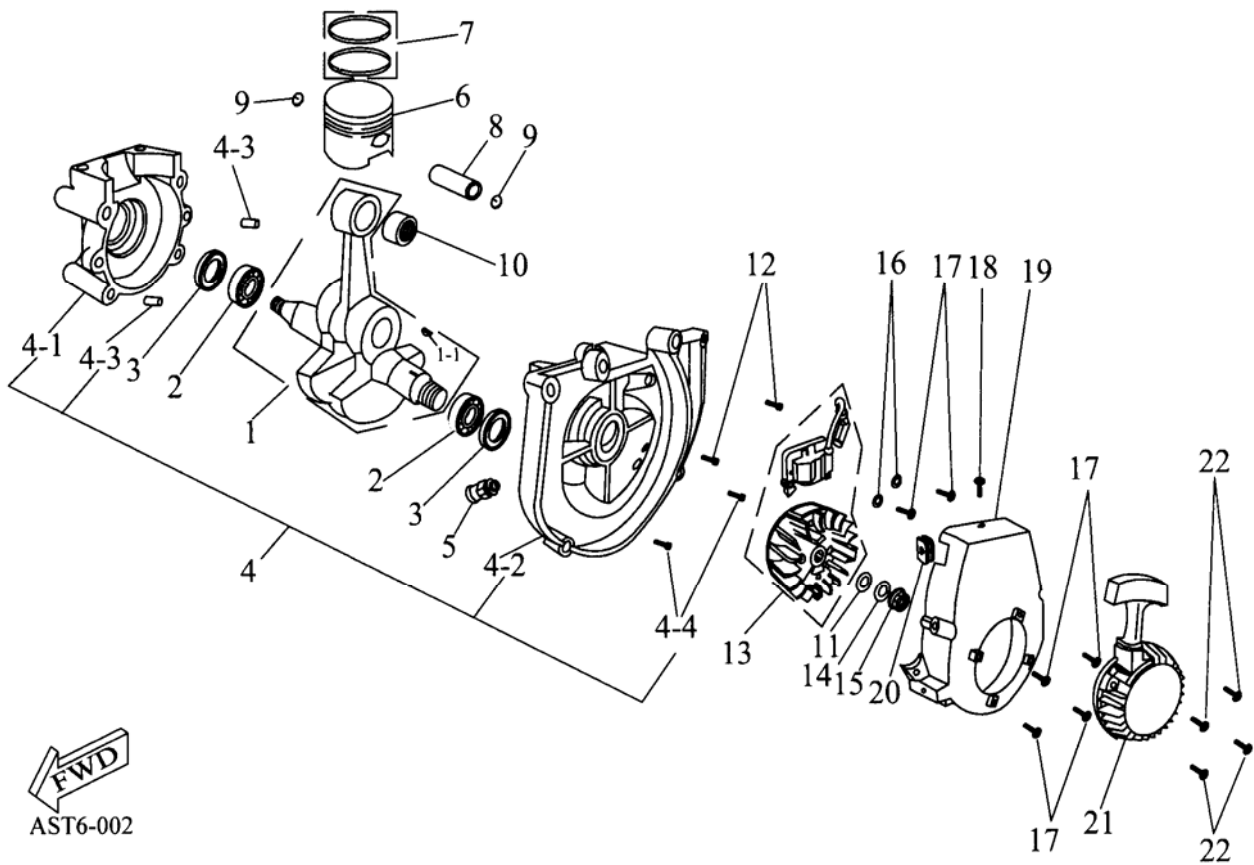
SALES MARK	P/N	DESCRIPTION	PART NO.		Q'TY	REMARK	
★	D01	ENGINE ASS'Y	030E01		1		
★	D01-01	CYLINDER	030E01-12101-00		1		
★	D01-02	SPARK PLUG	030E01-98076-00		1		
	D01-03	HEX SOCKET BOLT	91000-05016-K		4	M5×16	
★	D01-04	EXHAUST PIPE GASKET	030E01-18291-00		1		
	D01-05	HEX WASHER FACE BOLT	96000-05014-K		2	M5×14	
★	D01-06	EXHAUST PIPE ASS'Y	030E01-18300-00		1		
	D01-06-01	EXHAUST PIPE	030E01-18301-00		1		
★	D01-06-02	PROTECTOR	030E01-18318-00		1		
	D01-06-03	PAN PHILLIPS BOLT	93500-06009-B		2	M6×9	
	D01-06-04	GASKET	94102-0613020		4	ψ6×ψ13×2	
★	D01-07	CYLINDER GASKET	030E01-12191-00		1		
★	D01-08	CYLINDER COVER	030E01-19620-00		1		
	D01-09	PAN PHILLIPS BOLT WITH SPRING WASHER	93502-06015-B		1	M6×15	
	D01-10	GASKET	94102-0612020		2	ψ6×ψ12×2	
	D01-11	HEX WASHER FACE BOLT	96000-08016-KL		1	M8×16	

# D-2 CRANKSHAFT



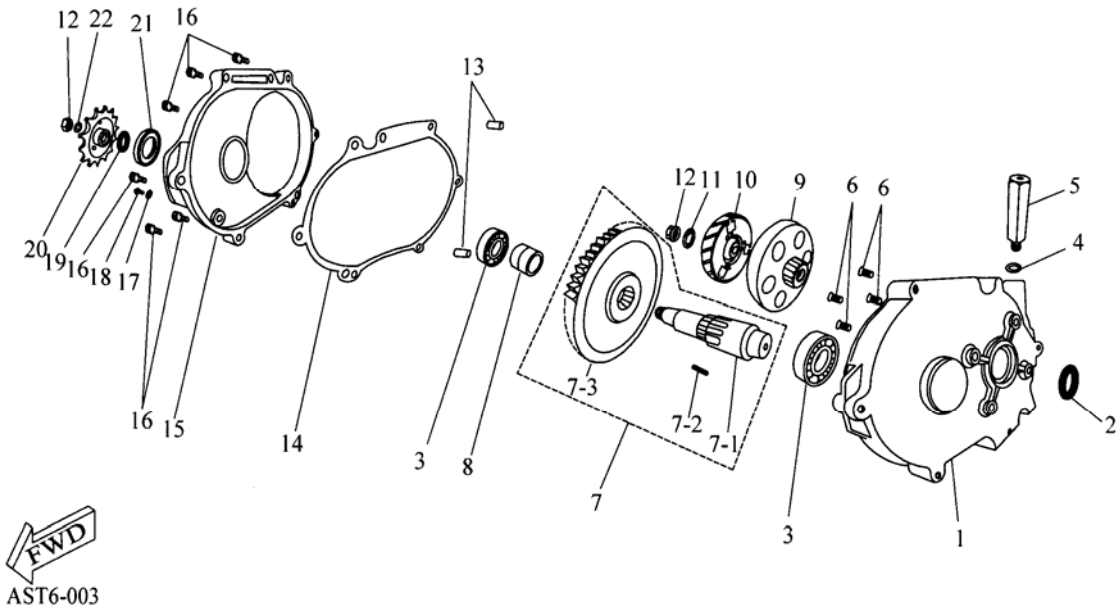
SALES MARK	P/N	DESCRIPTION	PART NO.		Q'TY	REMARK
★	D02-01	CRANKSHAFT	030E01-13000-00		1	
	D02-01-01	SEMICYCLE KEY	030E01-90471-00		1	
★	D02-02	RADIAL BALL BEARING	96100-6001		2	
★	D02-03	OIL SEAL	96500-12227		2	
★	D02-04	CRANKCASE ASS'Y	030E01-11200-00		1	
	D02-04-01	RIGHT CRANKCASE	030E01-11101-01		1	
	D02-04-02	LEFT CRANKCASE	030E01-11201-00		1	
★	D02-04-03	DOWEL PIN	94301-04145		2	
	D02-04-04	HEX SOCKET BOLT	91000-05025-C		2	M5×25
★	D02-05	BREATHER HOSE HEAD	030E01-16610-00		1	
★	D02-06	PISTON	030E01-13100-00		1	
★	D02-07	PISTON RING SET	030E01-13011-00		1	
★	D02-08	PISTON PIN	030E01-13111-00		1	
★	D02-09	PISTON PIN CLIP	030E01-13115-00		2	

# D-2 CRANKSHAFT



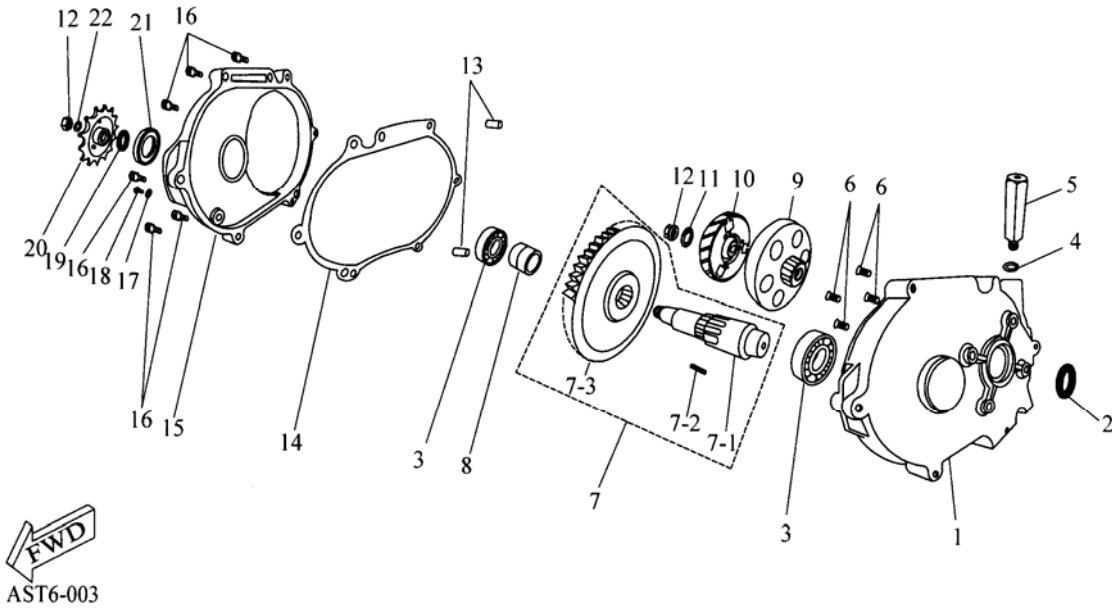
SALES MARK	P/N	DESCRIPTION	PART NO.	Q'TY	REMARK
★	D02-10	NEEDLE BEARING	96200-0811098	1	
	D02-11	PLAIN WASHER	94101-0815010-C	1	ψ8×ψ15×1
	D02-12	HEX SOCKET BOLT	91000-05025-C	2	M5×25
★	D02-13	GENERATOR ASS'Y	030E01-31100-00	1	
	D02-14	SPRING WASHER	94111-0814520-C	1	ψ8×ψ14.5×2
	D02-15	HEX NUT	94001-08000-14C	1	M8
	D02-16	PLAIN WASHER	94101-0410010-C	2	ψ4×ψ10×1
	D02-17	PAN PHILLIPS BOLT WITH SPRING WASHER	93502-04020-C	6	M4×20
	D02-18	PAN PHILLIPS BOLT WITH SPRING WASHER	93502-04010-B	1	M4×10
★	D02-19	FAN COVER	030E01-19610-00	1	
★	D02-20	GROMMET	030E01-83553-00	1	
★	D02-21	STARTER ASS'Y	030E01-28410-00	1	
	D02-22	PAN PHILLIPS BOLT WITH SPRING WASHER	93502-04012-C	4	M4×12

# D-3 GEAR BOX



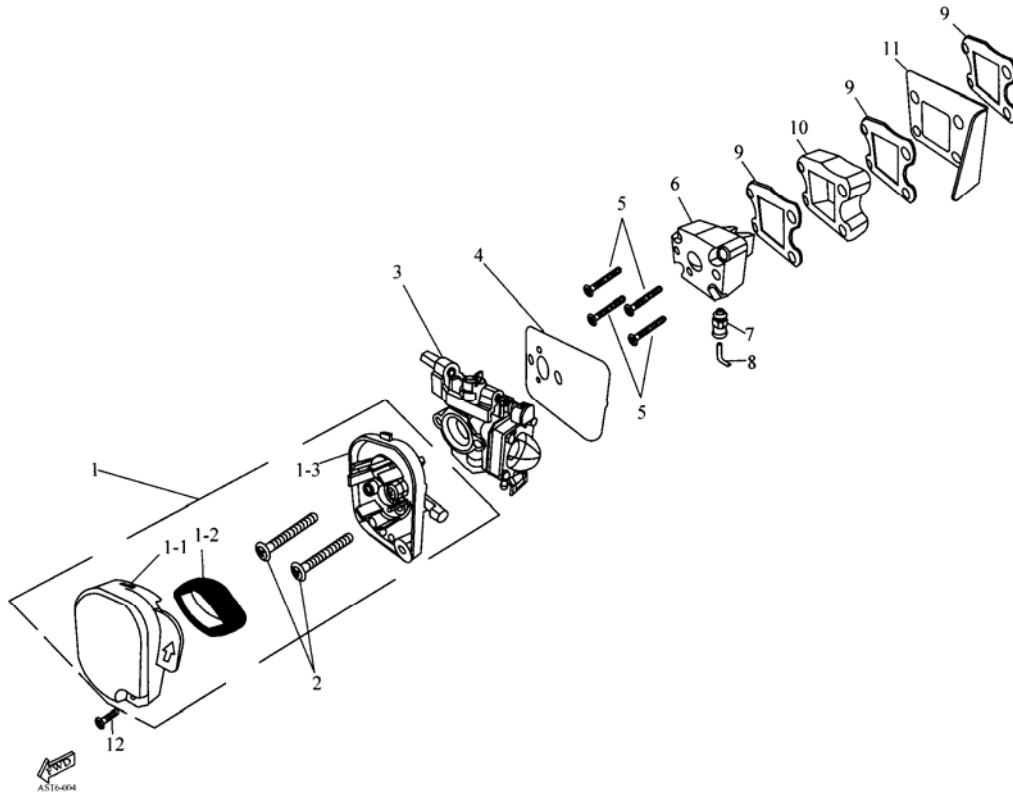
SALES MARK	P/N	DESCRIPTION	PART NO.		Q'TY	REMARK	
★	D03-01	GEAR BOX	030E01-21300-00		1		
★	D03-02	O-RING	91315-240019		1		
★	D03-03	RADIAL BALL BEARING	96100-6001		2		
★	D03-04	GASKET	94102-1018020		1		
★	D03-05	HEX BOLT	030E01-21305-00		1		
	D03-06	PAN SOCKET BOLT	93902-05016-C		4	M5×16	
★	D03-07	PRIMARY DRIVE ASS'Y	030E01-23410-00		1		
	D03-07-01	PRIMARY DRIVE AXLE	030E01-23411-00		1		
	D03-07-02	KEY	030E01-23412-00		1		
	D03-07-03	PRIMARY GEAR	030E01-23434-00		1		
★	D03-08	COLLAR	97100-1218015		1		
★	D03-09	CLUTH DRUM COMP	030E01-22125-00		1		
★	D03-10	CLUTCH ASS'Y	030E01-22120-00		1		

# D-3 GEAR BOX



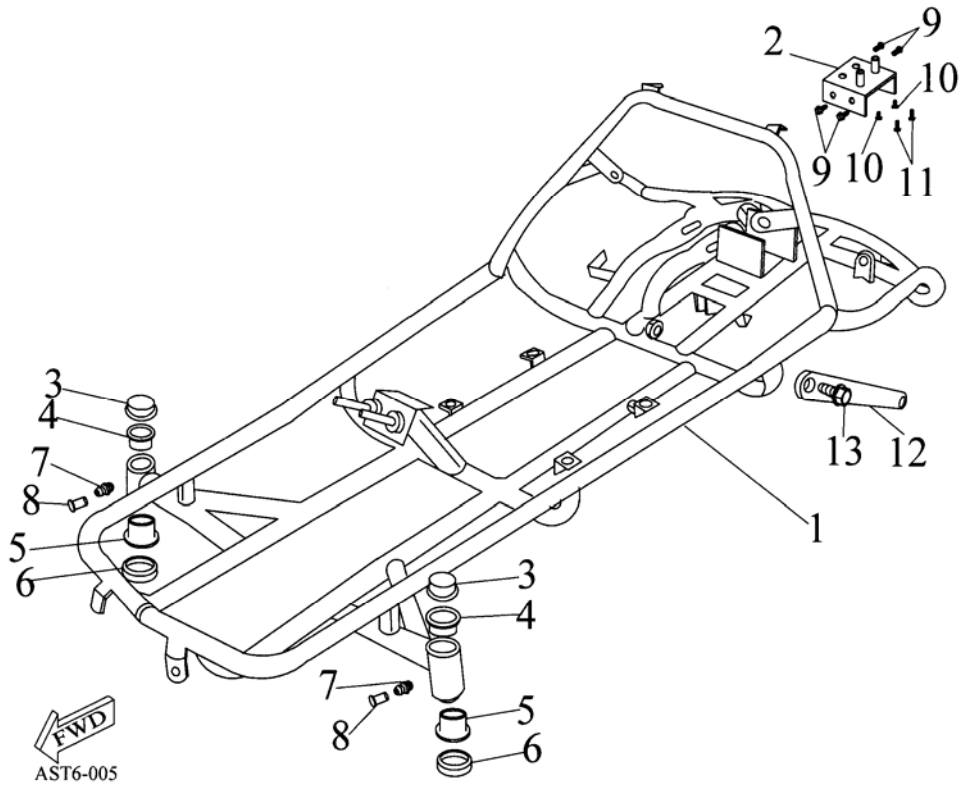
SALES MARK	P/N	DESCRIPTION	PART NO.		Q'TY	REMARK	
★	D03-11	LOCK WASHER	94103-08000-B		1	M8	
	D03-12	HEX NUT	94001-08000-14C		2	M8	
★	D03-13	DOWEL PIN	94301-06011		2		
★	D03-14	GEAR BOX GASKET	030E01-21395-00		1		
★	D03-15	MISSION COVER	030E01-21301-00		1		
	D03-16	HEX SOCKET BOLT	91000-05025-C		6	M5×25	
	D03-17	GASKET	94102-0613010		1		
	D03-18	PAN PHILLIPS BOLT	93500-06010-C		1	M6×10	
★	D03-19	O-RING	91315-095015		1		
★	D03-20	DRIVE SPOCKET 420~15T	030E01-23801-00		1		
★	D03-21	OIL SEAL	96500-16267		1		
★	D03-22	SPRING WASHER	94111-0814520-C		1	ψ8×ψ14.5×2	

# D-4 CARBURETOR



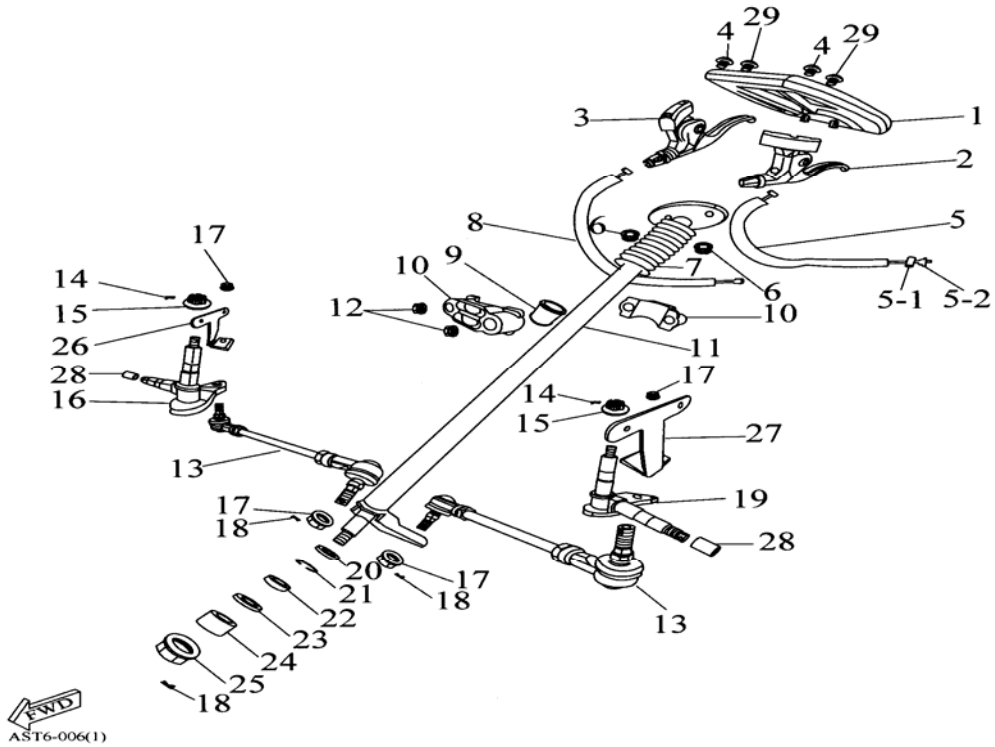
SALES MARK	P/N	DESCRIPTION	PART NO.		Q'TY	REMARK	
★	D04-01	AIR CLEANER ASS'Y	030E01-17200-00		1		
	D04-01-01	AIR CLEANER COVER	030E01-17207-00		1		
★	D04-01-02	CLEANER ELEMENT	030E01-17205-00		1		
	D04-01-03	AIR CLEANER BODY	030E01-17206-00		1		
	D04-02	HEX SOCKET BOLT	91000-05050-C		2	ψ5×50	
★	D04-03	CARBURETOR ASS'Y	030E01-16100-00		1		
★	D04-04	CARBURETOR GASKET	030E01-16210-00		1		
	D04-05	HEX SOCKET BOLT	91000-05035-C		4	ψ5×35	
★	D04-06	INLET MANIFOLD	030E01-17100-00		1		
★	D04-07	BREATHER HOSE HEAD	030E01-16610-00		1		
★	D04-08	BREATHER HOSE	94410-02504-135		1	135mm	
★	D04-09	GASKET	030E01-14115-00		3		
★	D04-10	HEAT BLOCK	030E01-17120-00		1		
★	D04-11	SET PLATE	030E01-14110-00		1		
	D04-12	PAN PHILLIPS BOLT	93500-05014-C		1	M5×14	

# D-5 FRAME BODY



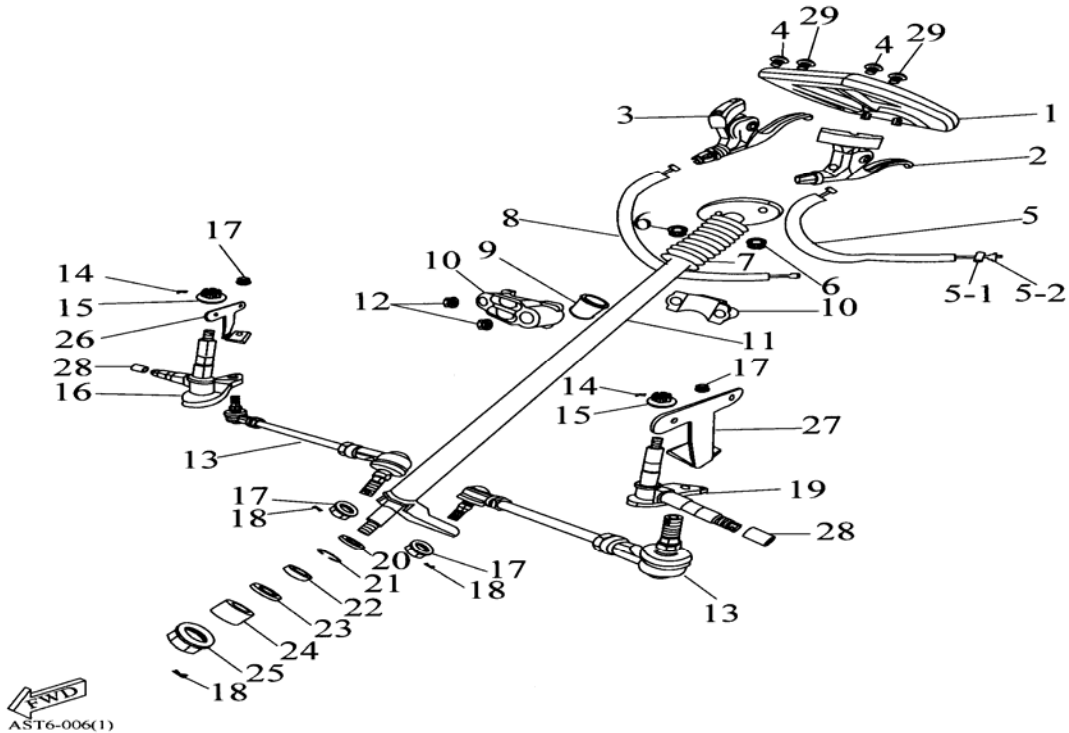
SALES MARK	P/N	DESCRIPTION	PART NO.		Q'TY	REMARK	
★	D05-01	FRAME BODY ASS'Y	030F08-50100-00		1		
★	D05-02	ENGINE FIX SEAT	030E01-50320-00		1		
★	D05-03	WATERPROOF COVER	030F01-51200-00		2		
★	D05-04	GREASE CONTAIN SEAT	030F01-52522-00		2		
★	D05-05	GREASE CONTAIN SEAT	030F01-52523-00		2		
★	D05-06	DUSTPROOF RUBBER	030F01-52424-00		2		
★	D05-07	GREASE VALVE	030F01-51300-00		2		
★	D05-08	GREASE VALVE RUBBER CAP	030F01-51301-00		2		
	D05-09	HEX BOLT WITH SPRING WASHER	92001-08020-K		4	M8×20	
	D05-10	HEX WASHER FACE BOLT	96000-06016-K		2	M6×16	
	D05-11	HEX WASHER FACE BOLT	96000-06038-K		2	M6×38	
★	D05-12	REAR AXLE FIX PLATE	030F01-50119-00		1		
	D05-13	HEX WASHER FACE BOLT	96000-10020-C		1	M10×20	

# D-6 STEERING



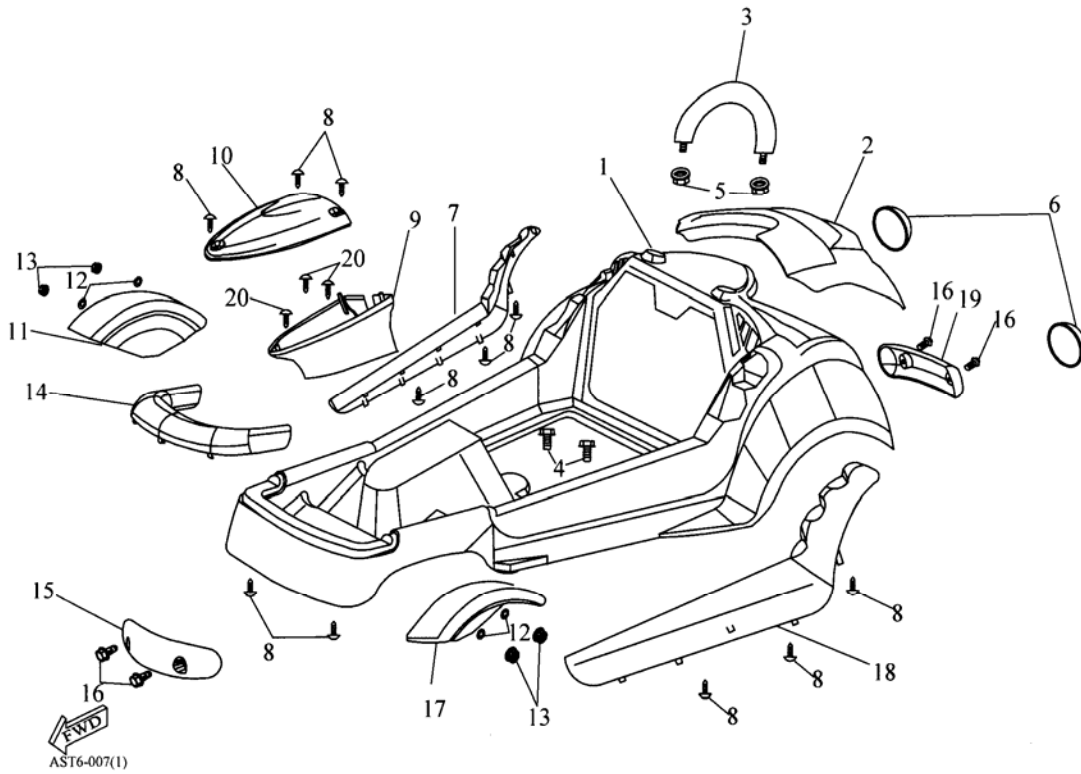
SALES MARK	P/N	DESCRIPTION	PART NO.		Q'TY	REMARK	
★	D06-01	STEERING	030F01-51130-00		1		
★	D06-02	LEFT LEVER ASS'Y(RE D)	030F01-53171-01		1		
★	D06-03	RIGHT LEVER ASS'Y(GREEN)	030F01-53172-01		1		
	D06-04	PAN PHILLIPS BOLT	93100-05015-K		2	M5×15	
★	D06-05	REAR BRAKE CABLE	030F01-43450-00		1		
★	D06-05-01	REAR BRAKE FIXTUBE	030F01-43456-00		1		
★	D06-05-02	BRAKE ADJUST NUT	030F01-43457-00		1		
	D06-06	NYLON INSERT LOCK NUT	90350-08000-C		2	M8	
★	D06-07	PROTECT RUBBER	030F01-51131-00		1		
★	D06-08	THROTTLE CABLE	030F01-17910-00		1		
★	D06-09	STEERING SHAFT PU SLEEVE	030F01-51220-00		1		
★	D06-10	STEERING SHAFT HOLD	030F01-53500-00		2		
	D06-11	STEERING SHAFT	030F01-51107-00		1		
	D06-12	HEX FLANGE NUT	94050-08000-C		2	M8	
★	D06-13	STEERING TIE-ROD ASS'Y	030F01-53410-01		2		
★	D06-14	COTTER PIN	94201-16190		2		

# D-6 STEERING



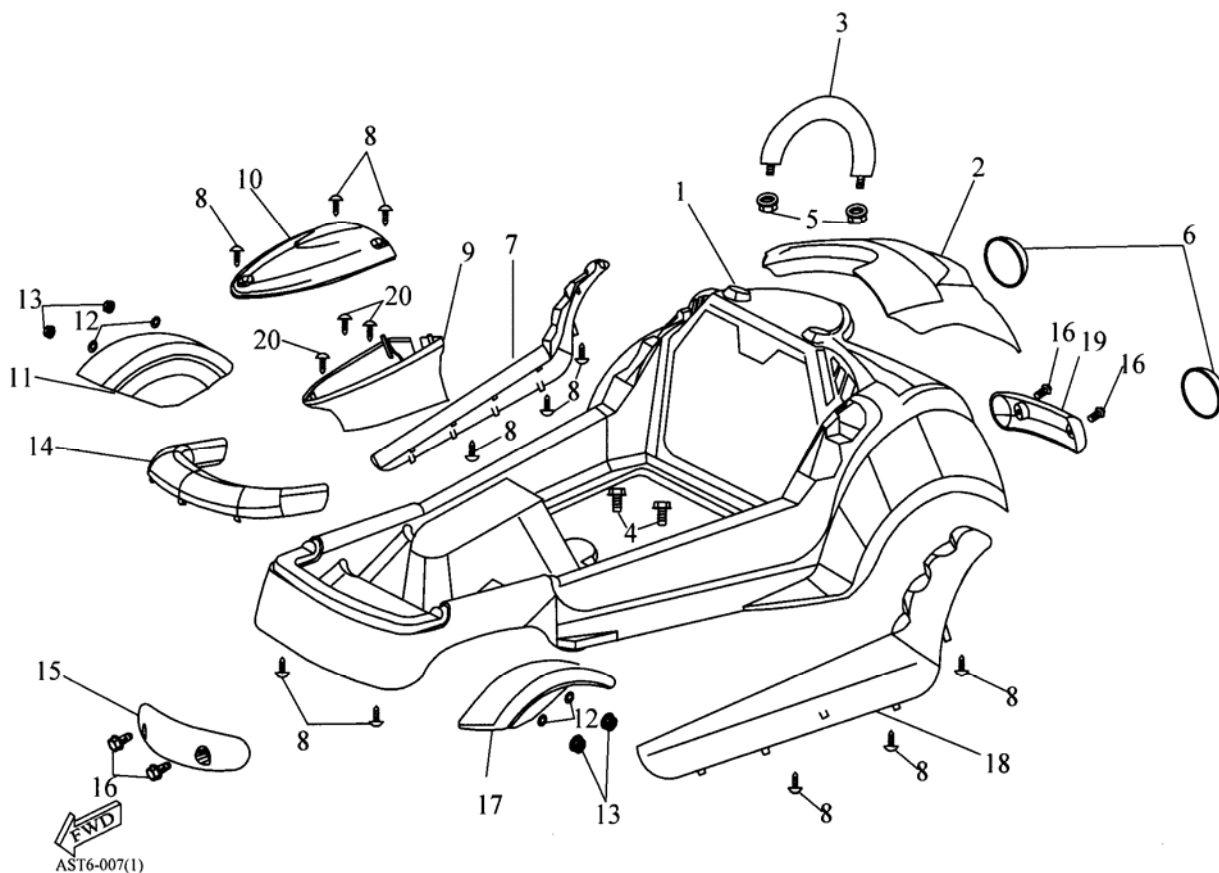
SALES MARK	P/N	DESCRIPTION	PART NO.		Q'TY	REMARK	
	D06-15	INSERT LOCK NUT	90352-10000-C		2	M10	
★	D06-16	KNUCKLE (R)	030F01-51320-00		1		
	D06-17	NYLON INSERT LOCK NUT	90350-10000-C		4	M10	
★	D06-18	COTTER PIN	94201-24190		3		
★	D06-19	KNUCKLE (L)	030F01-51310-00		1		
★	D06-20	OIL SEAL	96500-18327		1		
★	D06-21	CIRCLIP	94512-3200R		1		
★	D06-22	RADIAL BALL BEARING	96100-6002ZZ		1		
★	D06-23	OIL SEAL	96500-22357		1		
★	D06-24	COLLAR	97100-15217015		1		
★	D06-25	LOCK NUT	90350-14000-UC		1	M14	
★	D06-26	R. STAY	030F01-51105-00		1		
★	D06-27	L. STAY	030F01-51106-00		1		
★	D06-28	COLLAR	97100-1723016		2		
	D06-29	PAN PHILLIPS BOLT	93100-05020-K		2	M5×20	

# D-7 FENDER



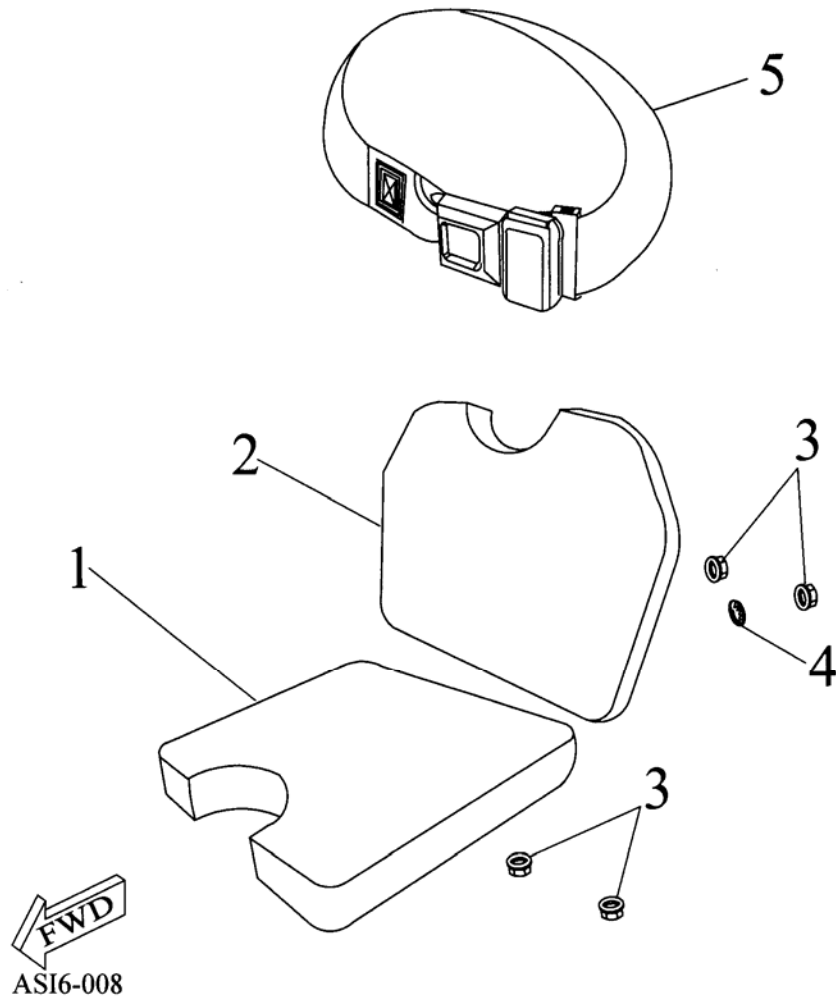
SALES MARK	P/N	DESCRIPTION	PART NO.	Q'TY	REMARK
★	D07-01B	FENDER(BLACK)	030F01-61100-00-B01	1	
★	D07-02R	ENGINE COVER(RED)	030F01-61120-00-R13	1	
★	D07-02Y	ENGINE COVER(YELLOW)	030F01-61120-00-Y01	1	
★	D07-03	HOLDER	030F01-81210-00	1	
	D07-04	HEX BOLT WITH WASHER	92000-06016-K	2	M6×16
	D07-05	NYLON INSERT LOCK NUT	90350-08000-C	2	M8
★	D07-06	LENS	030F01-33702-00	2	
★	D07-07R	RIGHT SIDE COVER(RED)	030F01-83503-00-R13	1	
★	D07-07Y	RIGHT SIDE COVER(YELLOW)	030F01-83503-00-Y01	1	
	D07-08	TAPPING SCREW	93903-05012-K	11	M5×12
★	D07-09R	HANDLE BAR DOWN COVER(RED)	030F01-53200-00-R13	1	
★	D07-09Y	HANDLE BAR DOWN COVER(YELLOW)	030F01-53200-00-Y01	1	
★	D07-10R	HANDLE BAR UP COVER(RED)	030F01-64211-00-R13	1	
★	D07-10Y	HANDLE BAR UP COVER(YELLOW)	030F01-64211-00-Y01	1	
★	D07-11R	FRONT FENDER-R(RED)	030F01-61150-00-R13	1	

# D-7 FENDER



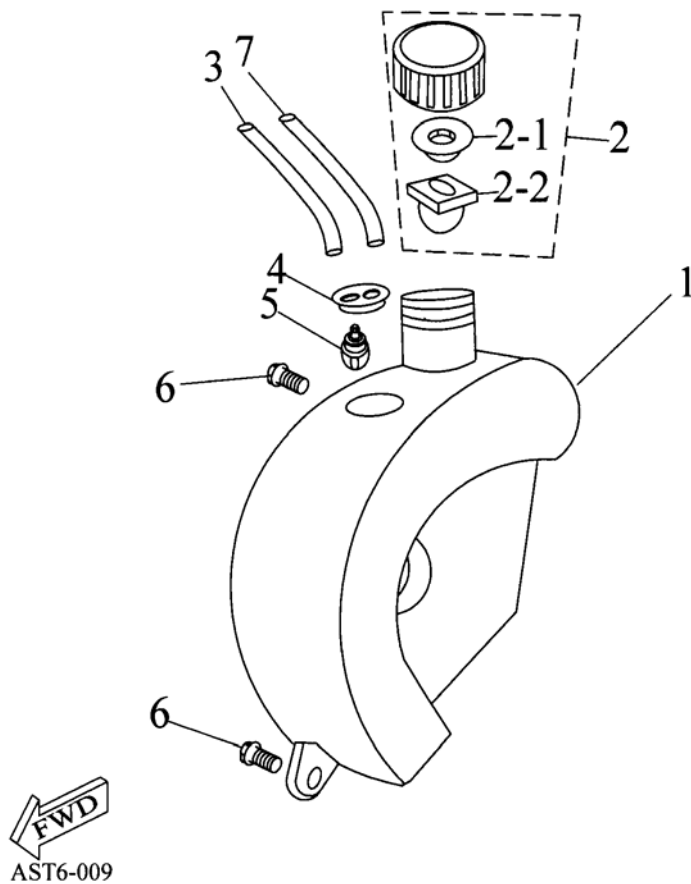
SALES MARK	P/N	DESCRIPTION	PART NO.		Q'TY	REMARK	
★	D07-11Y	FRONT FENDER-R(YELLOW)	030F01-61150-00-Y01		1		
	D07-12	PLAIN WASHER	94101-0514010-K		4	ψ5×ψ14×1	
	D07-13	NYLON INSERT LOCK NUT	90350-05000-K		4	M5	
★	D07-14R	FENDER UP COVER(RED)	030F01-61130-00-R13		1		
★	D07-14Y	FENDER UP COVER(YELLOW)	030F01-61130-00-Y01		1		
★	D07-15	FRONT FEND BAR	030F01-50450-00		1		
	D07-16	HEX BOLT WITH WASHER	92000-06025-K		4	M6×25	
★	D07-17R	FRONT FENDER-L(RED)	030F01-61160-00-R13		1		
★	D07-17Y	FRONT FENDER-L(YELLOW)	030F01-61160-00-Y01		1		
★	D07-18R	LEFT SIDE COVER(RED)	030F01-83603-00-R13		1		
★	D07-18Y	LEFT SIDE COVER(YELLOW)	030F01-83603-00-Y01		1		
★	D07-19	REAR FEND BAR	030F01-40471-00		1		
	D07-20	TAPPING SCREW	93903-05016-K		3	M5×16	

# D-8 SEAT



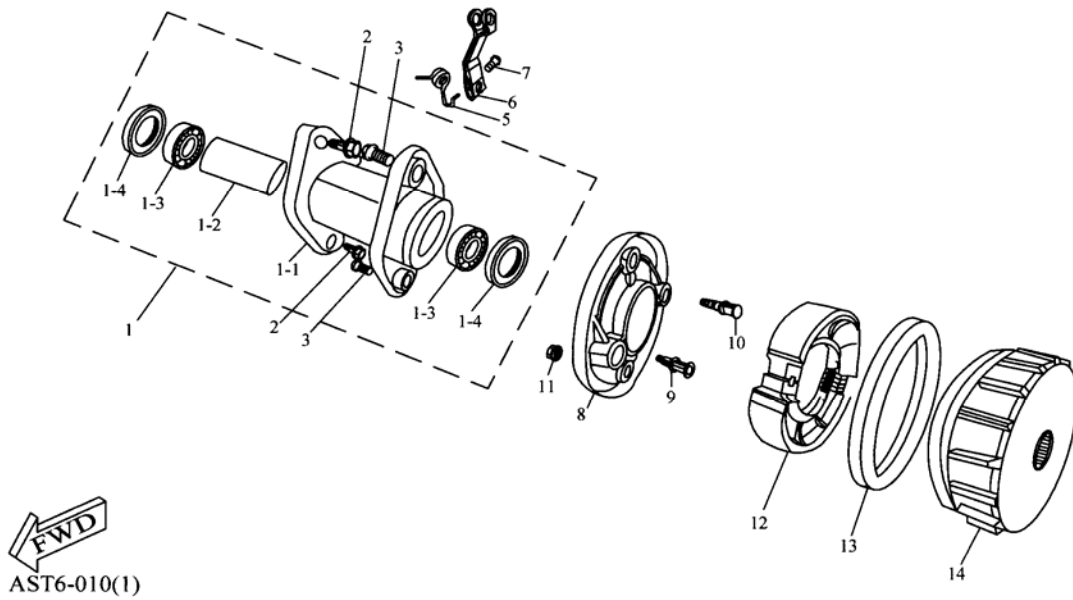
SALES MARK	P/N	DESCRIPTION	PART NO.		Q'TY	REMARK	
★	D08-01R	SEAT-RED	030F01-77200-00-R0		1		
★	D08-01B	SEAT-BLACK	030F01-77200-00-B0		1		
★	D08-02R	UP SEAT -RED	030F01-77300-00-R0		1		
★	D08-02B	UP SEAT -BLACK	030F01-77300-00-B0		1		
	D08-03	HEX WASHER FACE NUT	94050-06000-K		4	M6	
★	D08-04	TEETH WASHER	94103-06000-C		1		
★	D08-05	SAFETY BELT	030F01-77250-00		1		

# D-9 FUEL TANK



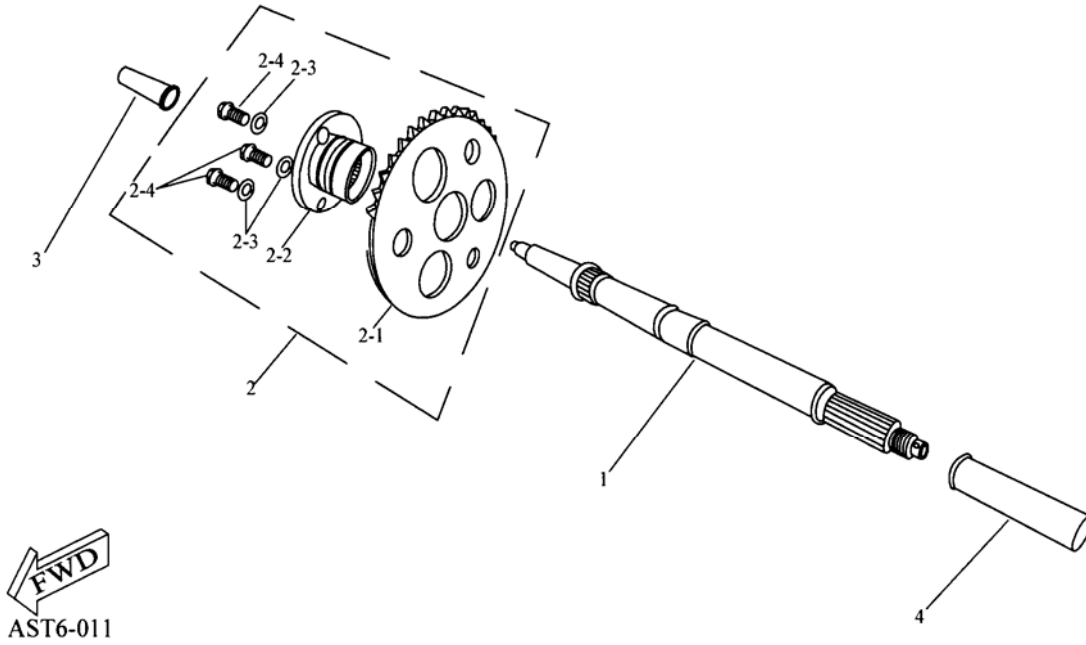
SALES MARK	P/N	DESCRIPTION	PART NO.		Q'TY	REMARK	
★	D09-01	FUEL TANK	030F01-17500-00		1		
★	D09-02	FUEL TANK CAP ASS'Y	030F01-17620-00		1		
	D09-02-01	BREATHER SHEET	030F01-17623-00		1		
	D09-02-02	BREATHER FILM	030F01-17625-00		1		
★	D09-03	TUBE	94500-03005-550		1	L=550mm;9g	
★	D09-04	FUEL TUBE FIX RUBBER	040F01-90765-00		1		
★	D09-05	PETROL FILTER	040F01-16953-00		1		
	D09-06	HEX BOLT WITH WASHER	92000-06020-K		2	M6×20	
★	D09-07	TUBE	94500-03005-450		1	L=450mm;7.5g	

# D-10 REAR AXLE FIX SEAT



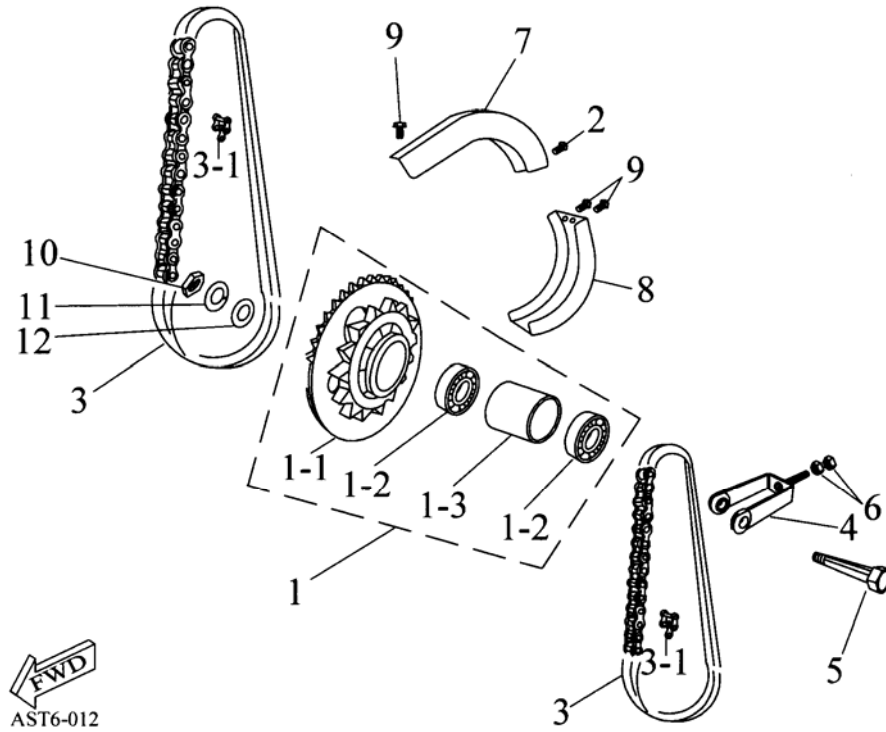
SALES MARK	P/N	DESCRIPTION	PART NO.		Q'TY	REMARK	
★	D10-01	REAR AXLE FIX SEAT ASS'Y	030F01-42803-00		1		
★	D10-01-01	REAR AXLE FIX SEAT	030F01-42805-00		1		
★	D10-01-02	COLLAR	030F01-42810-00		1		
★	D10-01-03	RADIAL BALL BEARING	96100-6006ZZ		2		
★	D10-01-04	OIL SEAL	96500-355511		2		
	D10-02	HEX WASHER FACE BOLT	96000-12028-CL		2	M12×28	
	D10-03	HEX WASHER FACE BOLT	96000-12038-C		2	M12×38	
	D10-04	CANEL	-		-	-	
★	D10-05	REAR BRAKE ARM SPRING	030F01-43420-00		1		
★	D10-06	REAR BRAKE ARM	030F01-43410-00		1		
	D10-07	HEX WASHER FACE BOLT	96000-06028-10C		1	M6×28	
★	D10-08	REAR BRAKE PLATE	030F01-43510-00		1		
★	D10-09	REAR BRAKE FIX SHAFT	030F01-45110-00		1		
★	D10-10	REAR BRAKE CAM SHAFT	030F01-43141-00		1		
	D10-11	NYLON INSERT LOCK NUT	90350-08000-C		1	M8	
★	D10-12	REAR BRAKE SHOE COMP.	030F01-43120-00		1		
★	D10-13	PROTECTIVE RUBBER	030F01-43521-00		1		
★	D10-14	REAR BRAKE DRUM	030F01-43520-00		1		

# D-11 REAR AXLE



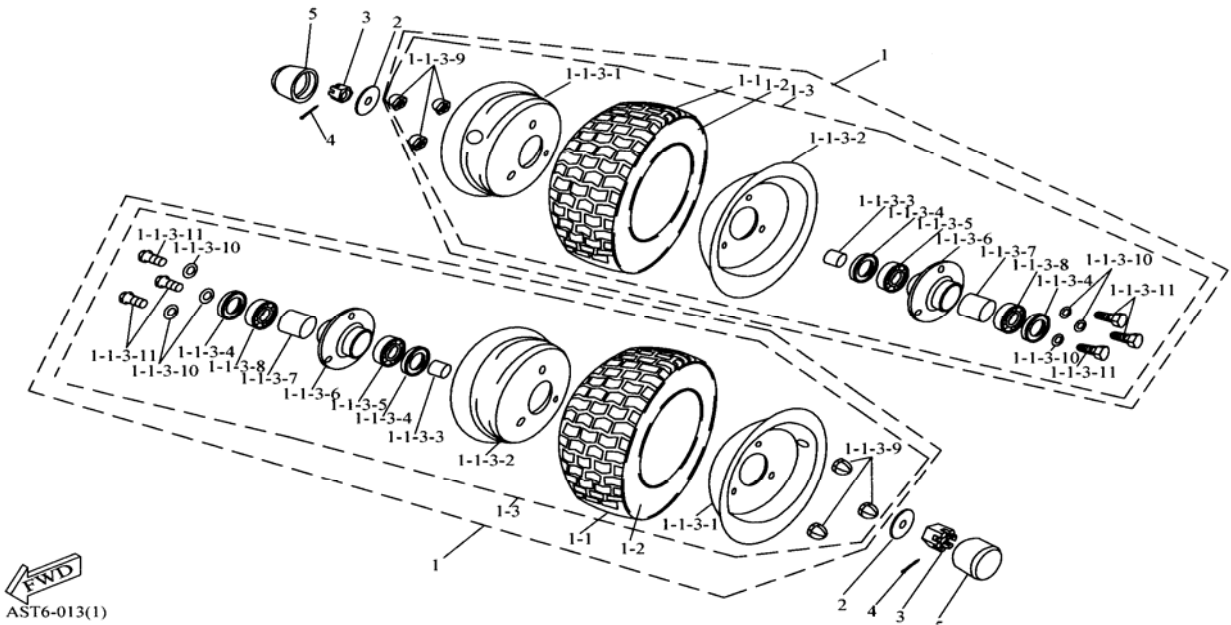
SALES MARK	P/N	DESCRIPTION	PART NO.		Q'TY	REMARK	
★	D11-01	REAR AXLE	030F01-97000-00		1		
★	D11-02	FINAL DRIVE SPROCKET ASS'Y	030F01-41200-00		1		
	D11-02-01	FINAL DRIVE SPROCKET(420~36T)	030F01-41201-00		1		
	D11-02-02	FINAL DRIVE SPROCKET HOLDER	030F01-41210-00		1		
	D11-02-03	SPRING WASHER	94111S-08000-C		3	ψ8	
	D11-02-04	HEX WASHER FACE BOLT	96000-08020-K		3	M8×20	
★	D11-03	SPACER TUBE (R)	030F01-97100-00		1		
★	D11-04	SPACER TUBE (L)	030F01-97110-00		1		

# D-12 CHAIN



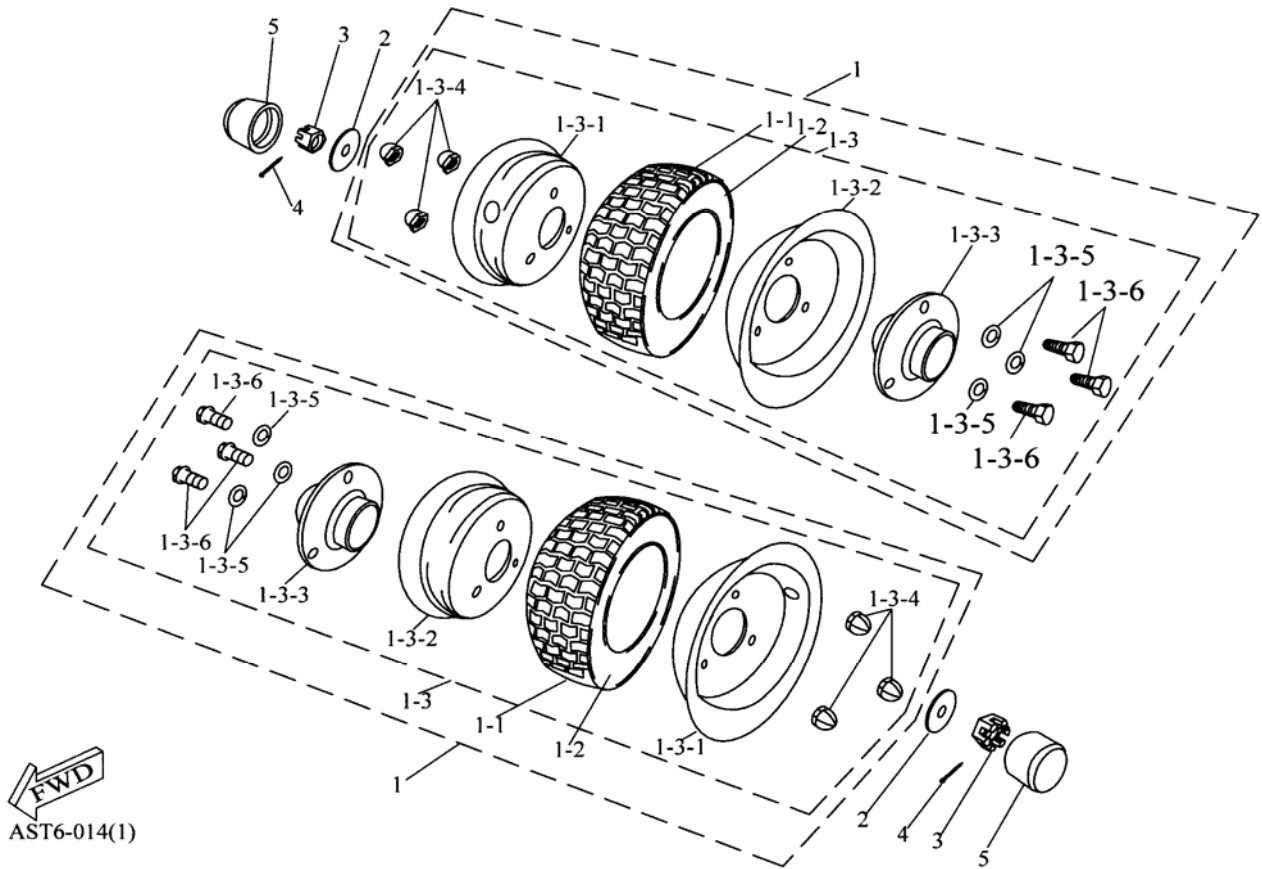
SALES MARK	P/N	DESCRIPTION	PART NO.	Q'TY	REMARK	USD
★	D12-01	GEAR ASS'Y(420~13T&35T)	030F01-23802-00	1		13.63
	D12-01-01	GEAR	030F01-23803-00	1		N/A
	D12-01-02	BEARING	96100-6001Z	2		N/A
	D12-01-03	COLLAR	97100-1216020	1		N/A
	D12-02	HEX BOLT WITH WASHER	92000-06016-K	1	M6×16	N/A
★	D12-03	CHAIN(420~46L)	030F01-40530-00	2		1.25
★	D12-03-01	SHAIN MASTER LINK SET	030F01-40531-00	2		0.31
★	D12-04	ADJUSTER - CHAIN	030F01-40543-00	1		2.00
★	D12-05	HEX BOLT	92000-12080-19C	1	M12×80	0.75
	D12-06	HEX NUT	94001-08000-14C	2	M8	N/A
★	D12-07	PROTECT COVER-UP	030F01-40521-00	1		0.63
★	D12-08	PROTECT COVER-DOWN	030F01-40522-00	1		0.63
	D12-09	HEX WASHER FACE BOLT	96000-06012-K	3	M6×12	N/A
	D12-10	HEX NUT	94001-12000-17C	1	M12	N/A
	D12-11	SPRING WASHER	94111-1220030-C	1	ψ12×ψ20×3	N/A
	D12-12	PLAIN WASHER	94101-1222010-1	1	ψ12×ψ22×1	N/A

# D-13 FRONT WHEEL



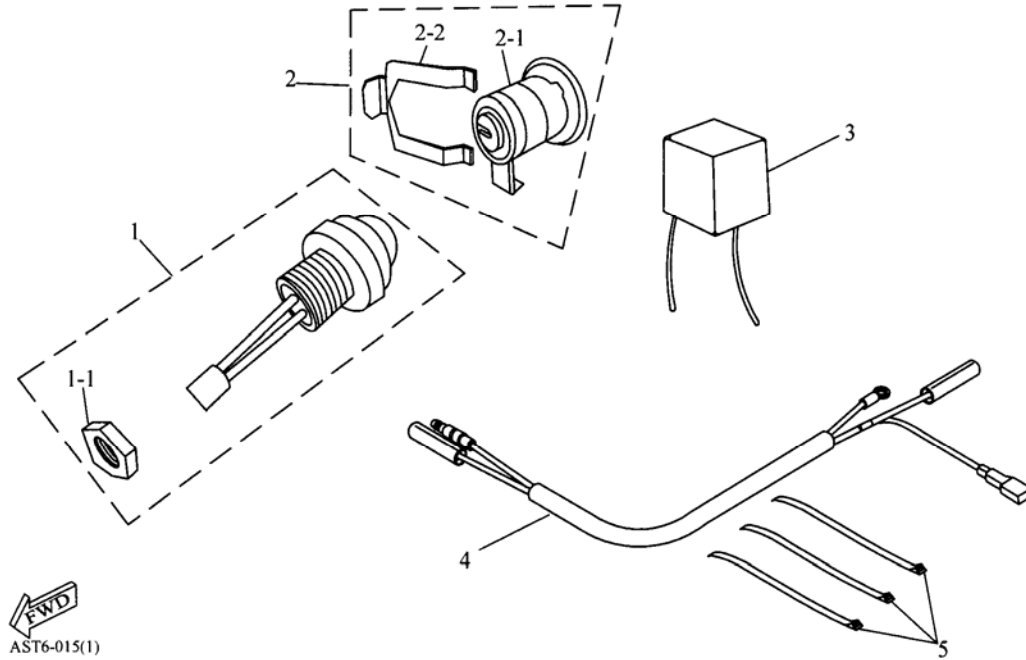
SALES MARK	P/N	DESCRIPTION	PART NO.	Q'TY	REMARK
★	D13-01	FRONT WHEEL ASS'Y	030F01-42700-01	2	
★	D13-01-01	TIRE	030F01-42711-00	2	
★	D13-01-02	INNER TUBE	030F01-42712-00	2	
★	D13-01-03	FRONT RIM ASS'Y	030F01-42705-01	2	
★	D13-01-03-01	WHEEL RIM-OUTER	030F01-42701-00	2	
★	D13-01-03-02	WHEEL RIM-INNER	030F01-42702-00	2	
★	D13-01-03-03	COLLAR	97100-15217010	2	ψ15×ψ21.7×10
★	D13-01-03-04	OIL SEAL	96500-22357	4	
★	D13-01-03-05	RADIAL BALL BEARING	96100-6002Z	2	
★	D13-01-03-06	SHAFT CONNECTER-FRONT	030F01-42703-01	2	
★	D13-01-03-07	COLLAR	97100-15217015	2	
★	D13-01-03-08	RADIAL BALL BEARING	96100-6003Z	2	
★	D13-01-03-09	ROUND HEADED NUT	94022-08000-B	6	M8
	D13-01-03-10	SPRING WASHER	94111-0814015-B	6	ψ8×ψ14.5×1.5
	D13-01-03-11	HEX BOLT	92000-08016-B	6	M8×16
	D13-02	PLAIN WASHER	94101-1240050-C	2	ψ12×ψ40×5
★	D13-03	INSERT LOCK NUT	90351-12000-C	2	M12
★	D13-04	COTTER PIN	94201-32320	2	
★	D13-05	RUBBER CAP	030F01-42730-00	2	

# D-14 REAR WHEEL



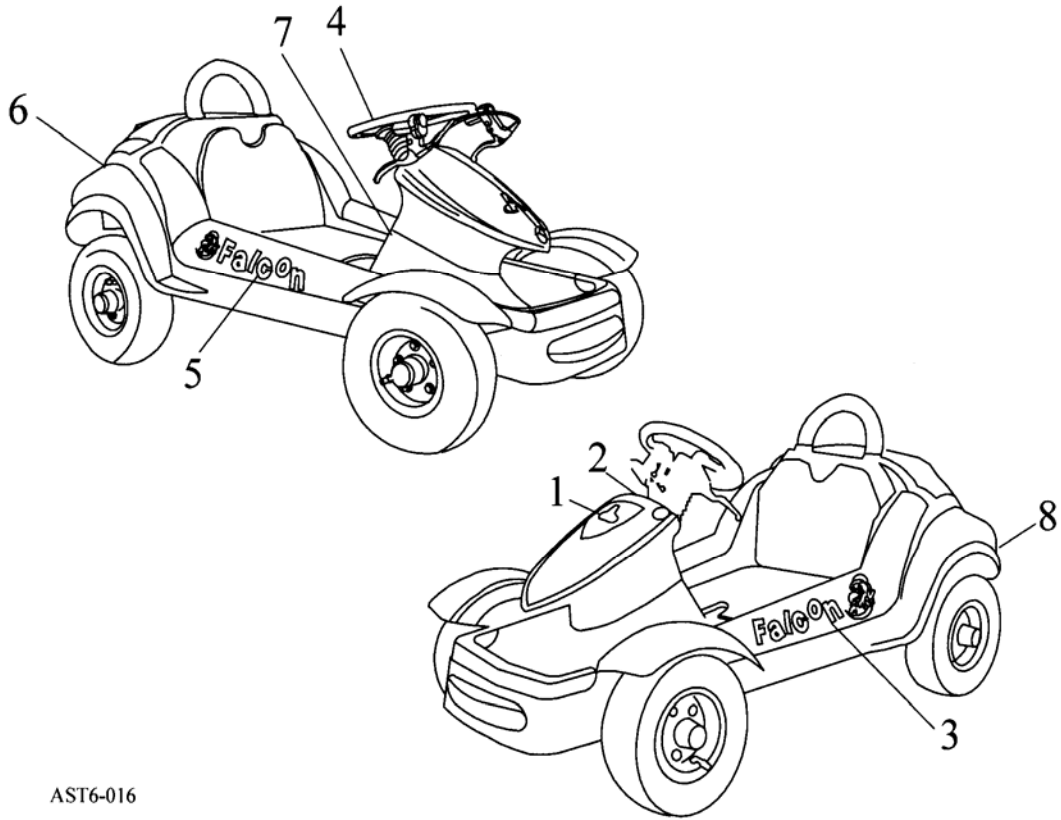
SALES MARK	P/N	DESCRIPTION	PART NO.		Q'TY	REMARK	
★	D14-01	REAR WHEEL ASS'Y	030F01-42800-01		2		
★	D14-01-01	TIRE	030F01-42711-00		2		
★	D14-01-02	INNER TUBE	030F01-42712-00		2		
★	D14-01-03	REAR RIM ASS'Y	030F01-42806-01		2		
★	D14-01-03-01	WHEEL RIM-OUTER	030F01-42701-00		2		
★	D14-01-03-02	WHEEL RIM-INNER	030F01-42702-00		2		
★	D14-01-03-03	SHAFT CONNECTER-REAR	030F01-42804-01		2		
★	D14-01-03-04	ROUND HEADED NUT	94022-08000-B		6	M8	
	D14-01-03-05	SPRING WASHER	94111-0814015-B		6	ψ8×ψ14.5×1.5	
	D14-01-03-06	HEX BOLT	92000-08016-B		6	M8×16	
	D14-02	PLAIN WASHER	94101-1440045-C		2	ψ14×ψ40×4.5	
★	D14-03	INSERT LOCK NUT	90351-14000-C		2	M14	
★	D14-04	COTTER PIN	94201-32320		2		
★	D14-05	RUBBER CAP	030F01-42730-00		2		

# D-15 ELECTRICAL PARTS



SALES MARK	P/N	DESCRIPTION	PART NO.		Q'TY	REMARK	
★	D15-01	ENGINE STOP SWITCH	030F01-35102-00		1		
★	D15-01-01	ENGINE STOP SWITCH FIX NUT	030F01-35105-00		1		
★	D15-02	ENGINE COVER LOCK SWITCH	030F01-77240-00		1		
★	D15-02-01	FIX PLATE	030F01-77241-00		1		
★	D15-03	SPEED CONTROL UNIT	030F01-30410-00		1		
★	D15-04	MAIN WIRE HARNESS	030F01-32100-00		1		
	D15-05	STRAP	030F01-90768-00		3		

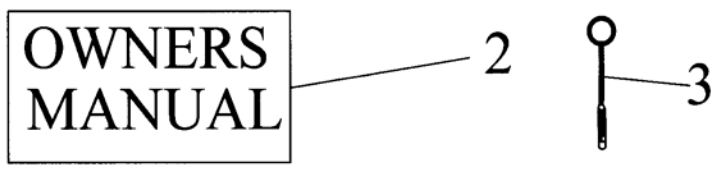
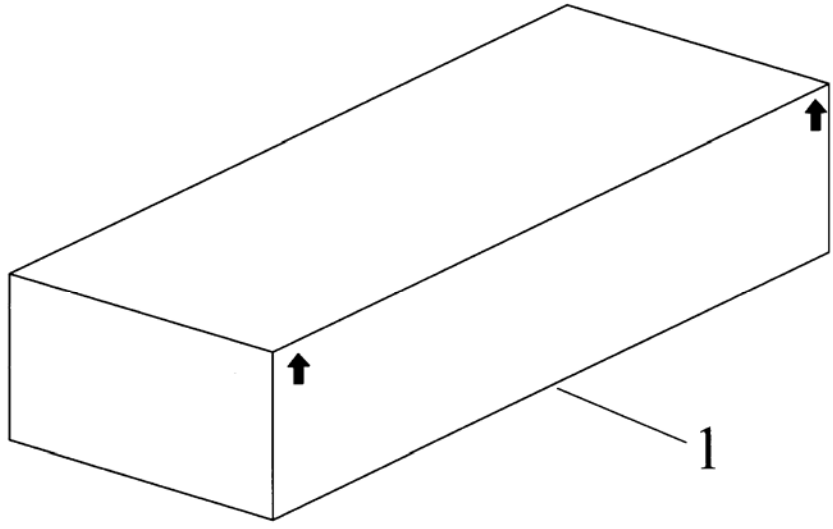
# D-16 DECAL



AST6-016

SALES MARK	P/N	DESCRIPTION	PART NO.		Q'TY	REMARK	
★	D16-01	DECAL-HANDLE BAR UP COVER	030F01-87760-00		1		
★	D16-02	DECAL-SPEED	030F01-87713-00		1		
★	D16-03	DECAL-FALCON(L)	030F01-87728-00		1		
★	D16-04	DECAL-WARNING	030F01-87752-00		1		
★	D16-05	DECAL-FALCON(R)	030F01-87727-00		1		
★	D16-06	DECAL-AERO(REAR)	030F01-87755-00		1		
★	D16-07	DECAL-ENGINE STOP	030F01-87812-00		1		
★	D16-08	DECAL-EXHAUST PIPE WARNING	030F01-87763-00		1		

**D-17 STANDARD ACCESSORY**



AST6-017

SALES MARK	P/N	DESCRIPTION	PART NO.		Q'TY	REMARK	
	D17-01	PACKING	030F01-89005-00		1		
	D17-02	OWNER'S MANUAL	030F01-89500-00		1		
★	D17-03	OIL GUIDE	030F01-89510-00		1		
	D17-04	ASSEMBLY DRAW	030F01-89501-00		1		