



FPX GX-140, GX-160 and GX 200 Parts & Price Guide

revision C

Updated July 22, 2011

Written by the J&J Technical Team

Kevin Bell, Dan Hansen, Leon Wilbanks, Eric Hahl.

Manual Design & Layout

Eric Hahl

Models Covered:

Honda GX-140, GX-160 & GX-200

Part No. 1-60-0060

FunParts Xpress

4897 Indian School Rd NE
Suite 150
Salem, OR 97305-1126

Toll Free Phone: 1-800-854-3140

Phone: 1-503-304-8899

Toll Free Fax: 1-800-366-7505

Fax: 1-503-304-1899

Also from FunParts Xpress

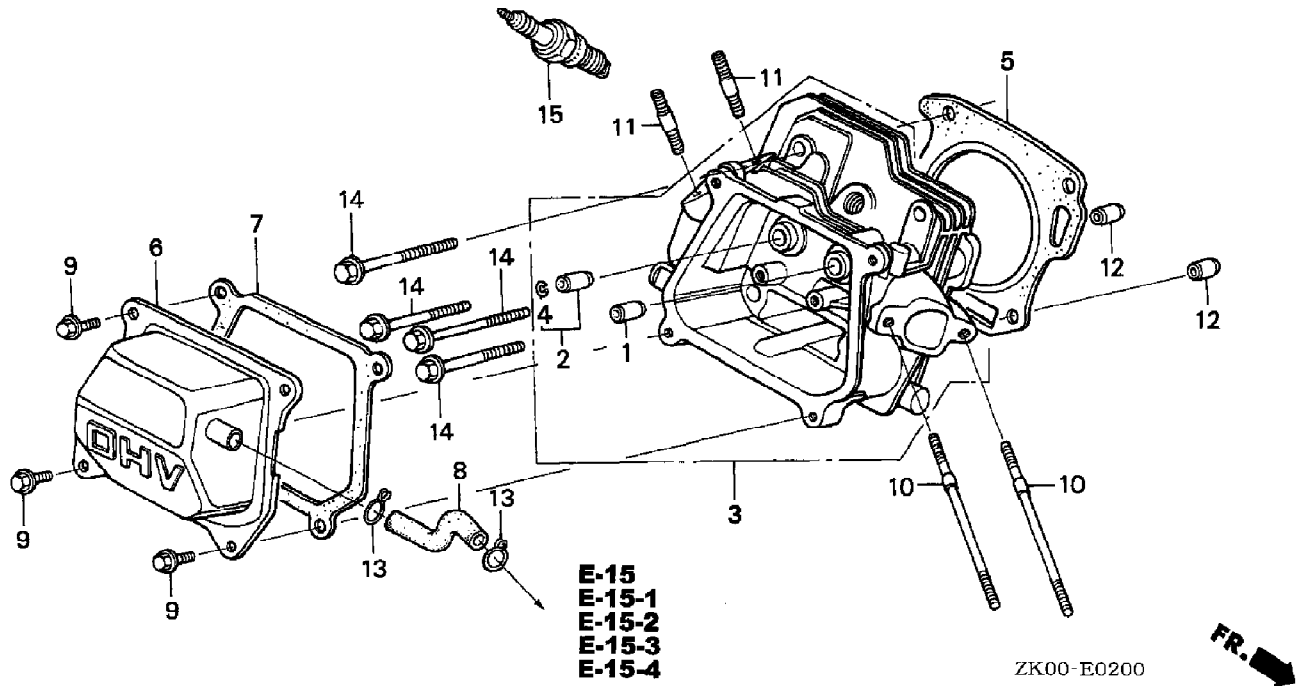
For parts description and pricing information see:

FPX Go-Kart Parts & Price Guide - Vol. 1

Visit our website for updated manuals (PDF Format)

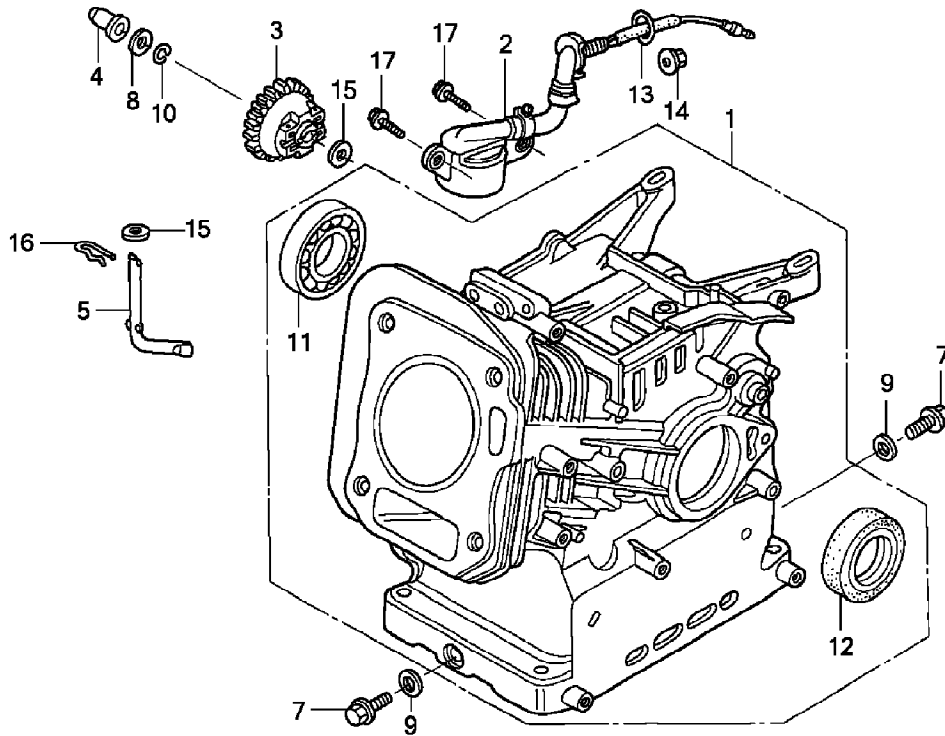
www.jjamusements.com and www.funpartsexpress.com

Cylinder Head - GX140, GX160 & GX200



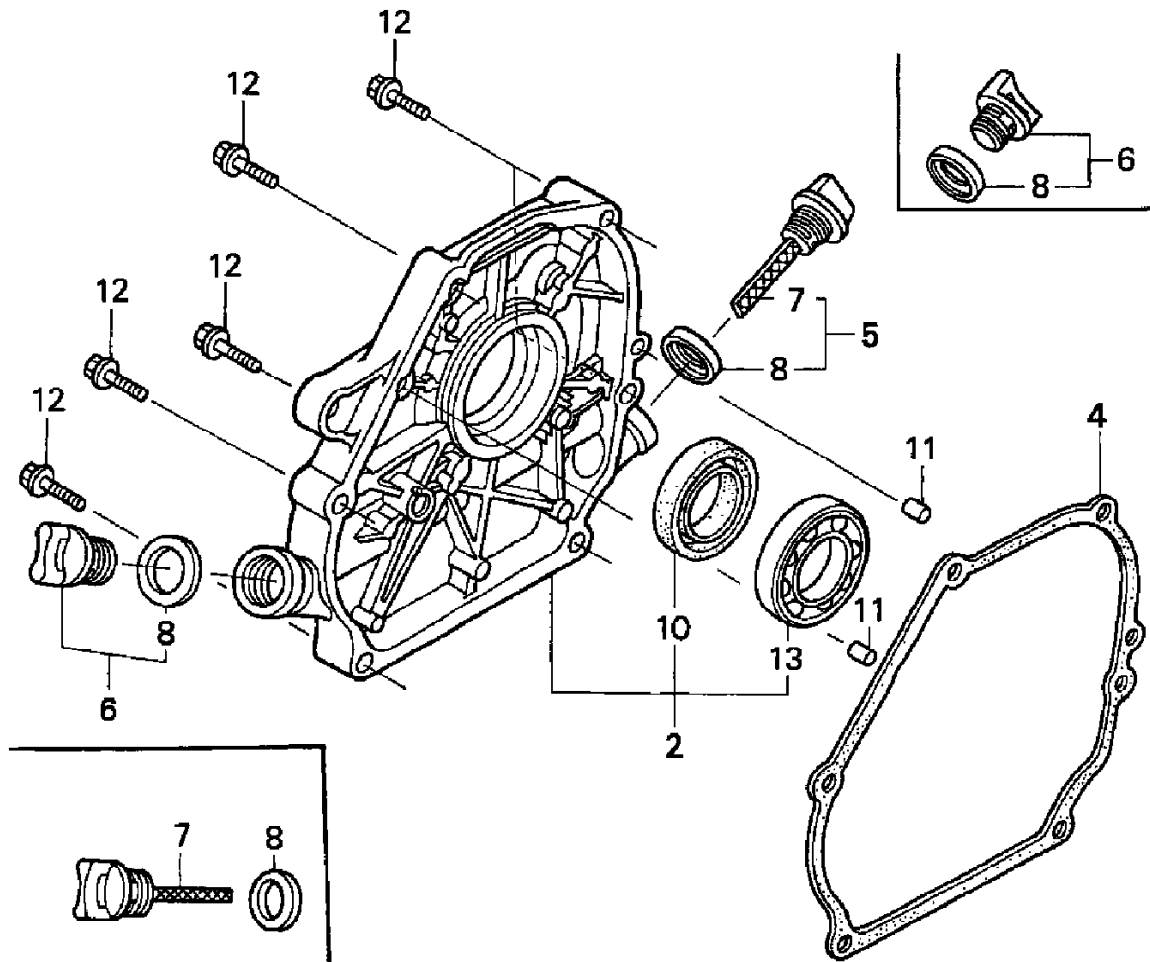
Ref #	FPX #	Honda #	Qty	Description	Price
01	18998480	12205-ZE1-315	1	12205-ZE1-315 Guide, Exhaust Valve	\$8.65
02	41658740	12204-ZE1-306	1	12204-ZE1-306 Guide, Valve (Oversized)	\$8.65
03a	7538903	12210-ZL0-000	1	12210-ZL0-405 Cylinder Head Comp.(GX200) Serial End:1001673	\$215.61
03b	8303315	12210-ZH8-415	1	12210-ZH8-415 Head Comp, Cylinder (GX160)	\$206.92
03c	19505750	122A0-ZE1-020	1	122A0-ZE1-020 Head Comp. Cylinder (GX140)	\$135.00
**	15401940	12211-ZE1-010	1	12211-ZE1-000 Liner, Port (GX140)	\$4.77
04	23997800	12216-ZE5-300	1	12216-ZE5-300 Clip, Valve Guide	\$1.30
05a	47427630	12251-ZL0-003	1	12251-ZL0-003 Gasket Cylinder Head GX200	\$19.51
05b	36833800	12251-ZF1-800	1	12251-ZF1-800 Gasket, Cylinder Head (GX160)	\$16.02
05c	42108600	12251-ZE1-800	1	12251-ZE1-800 Gasket, Cylinder Head (GX140)	\$8.79
06	6854921	12310-ZE1-101	1	12310-ZE1-020 Head cover, complete	\$14.52
07	14265270	12391-ZE1-00	1	12391-ZE1-000 Gasket, Head Cover	\$4.04
08a	36834970	15721-ZH8-000	1	15721-ZH8-000 Tube, Breather (GX160)	\$3.58
08b	15407720	15721-ZE1-101	4	15721-ZE1-010 Tube, Breather (GX140)	\$3.53
09a	06368450	90013-883-000	4	90013-883-000 Bolt, Flange 6x12	\$1.58
09b	15410020	90016-ZE1-000	2	90016-ZE1-000 Bolt Flange 6x13	\$2.34
10	45883230	90043-ZE1-020	2	90043-ZE1-020 Bolt Stud 6x109	\$4.21
11	14310970	90047-ZE1-000	2	90047-ZE1-000 Bolt, Stud 8x34	\$3.43
12	00582060	94301-10160	2	94301-10160 Pin, Dowel 10x16	\$1.43
13	00737000	95002-80000	4	95002-80000 Clip, Tube C12	\$0.44
14	14365910	95723-08060-00	1	95723-08060-00 Bolt, Flange 8x60	\$1.46
15	16724430	98079-55846	1	Spark Plug, (BPR5ES) Hot 98079-55846	\$3.53
**	14411120	98079-55846	1	Spark Plug, (BPR6ES) 98079-56846	\$3.26

Cylinder - GX140 ,GX160 & GX200



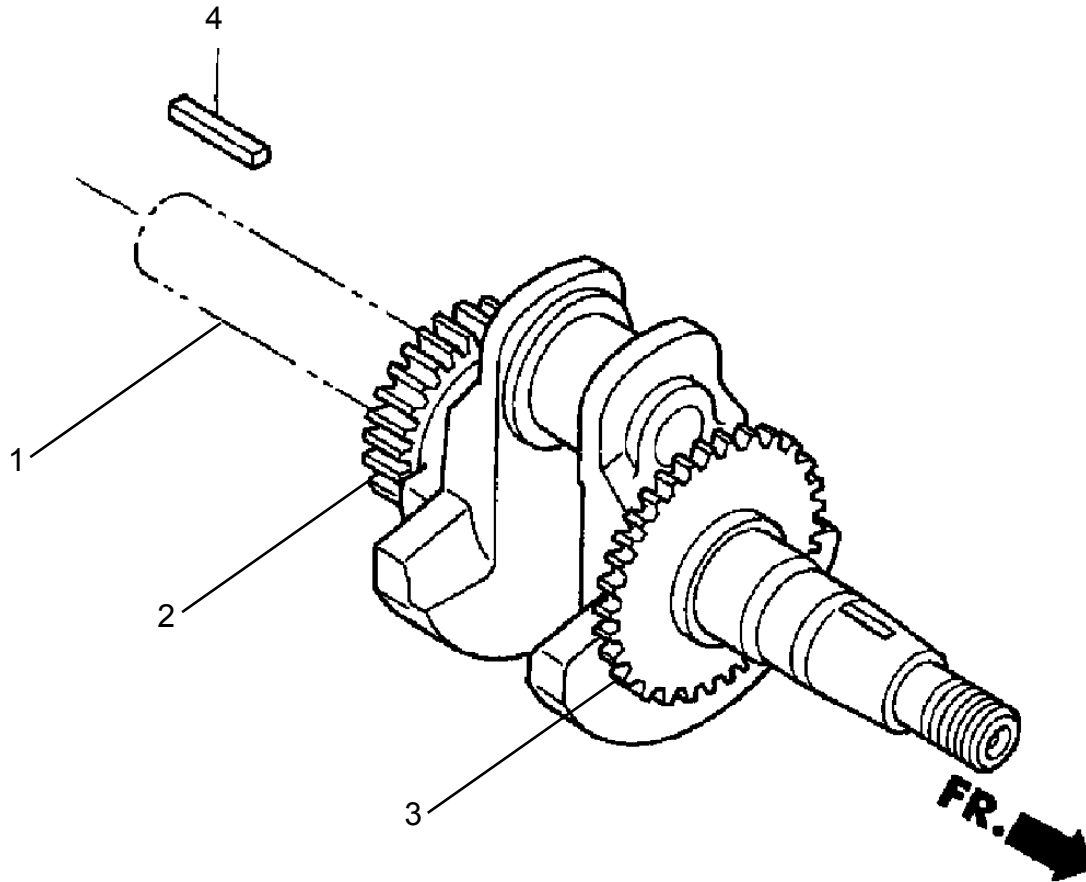
Ref #	FPX #	Honda #	Qty	Description	Price
01a	7544117	12000-ZL0-000	1	12000-ZL0-416 Cylinder Assy.(GX200)	\$533.90
01b	7458599	12000-ZH8-010	1	12000-ZH8-425 Cylinder Assy. GX160	\$331.42
01c	14264360	120A0-ZE1-000	1	120A0-ZE1-000 Barrel Assembly, Cylinder (GX140)	\$287.71
03	33136570	06165-ZE1-000	1	06165-ZE1-000 Governor Kit (GX140,160)	\$13.66
04a	47430760	16506-ZL0-000	1	16506-ZL0-000 Governor Assy (GX200)	\$24.69
04b	24142250	16510-ZE1-000	1	16510-ZE1-000 Governor Assembly (GX140,160)	\$18.85
05	14272280	16511-ZE1-000	2	16511-ZE1-000 Weight, Governor	\$2.99
06	24142250	16510-ZE1-000	1	16510-ZE1-000 Governor Assembly (GX140,160)	\$18.85
07	14272440	16513-ZE1-000	2	16513-ZE1-000 Pin, Governor Weight	\$1.67
08	14272510	16531-ZE1-000	1	16531-ZE1-000 Slider, Governor	\$2.94
09	14272770	16541-ZE1-000	2	16541-ZE1-000 Shaft, Governor Arm	\$9.84
10	14312460	90131-ZE1-000	2	90131-ZE1-000 Bolt, Drain Plug	\$2.64
11	24138620	90451-ZE1-000	1	90601-ZE1-000 Washer, Drain Plug	\$1.09
12	14365830	90601-ZE1-000	1	90601-ZE1-000 Washer, Drain Plug	\$1.09
12a	10007	High Temp	1	Seal, GX Reduc.Input Sft High Heat Viton 5-6.5HP (Rpl 063693)	\$8.99
13	24566970	90602-ZE1-000	1	90602-ZE1-000 Clip, Governor Holder	\$1.30
14a	36842480	91001-ZF1-003	1	91001-ZF1-003 Bearing, Radial Ball (GX160)	\$20.23
14b	03680760	96100-62050-10	1	96100-62050-10 Bearing, Radial Ball (6205) (GX140)	\$19.59
15a	7352453	91202-883-005	1	91201-Z0T-801 Seal, Oil 25x41.25x6	\$8.54
16	01155270	94251-08000	1	94251-08000 Pin, Lock 8mm	\$0.78
**	1-61-0040		1	Hose, Delivery Gun (Extractor)(Assy)	\$179.52

Crank Case Cover - GX140, GX160 & GX200



Ref #	FPX #	Honda #	Qty	Description	Price
02	7544026	11300-ZE1-010	1	11300-ZE1-020 Cover Assy Crank (S-Type)	\$110.27
04	47231440	11381-ZH8-801	1	11381-ZH8-801 Gasket, Case Cover (Non-Asbestos)	\$6.07
05	45001460	15600-ZE1-003	1	15600-ZE1-003 Cap, Oil Filler	\$5.25
06	44979210	15600-ZG4-003	1	15600-ZG4-003 Cap, Oil Filler	\$2.23
07	44979470	15625-ZE1-003	1	15625-ZE1-003 Gasket, Oil Filler Cap	\$3.30
08	44979470	15625-ZE1-003	1	15625-ZE1-003 Gasket, Oil Filler Cap	\$3.30
10a	7352453	91202-883-005	1	91201-Z0T-801 Seal, Oil 25x41.25x6	\$8.54
10b	10007	High Temp	1	Seal, GX Reduc.Input Sft High Heat Viton 5-6.5HP (Rpl 063693)	\$8.99
11	00693101	94301-08140	2	94301-08140 Pin, Dowel 8x14	\$1.38
12	27517250	95701-08032-00	6	95701-08032-00 Bolt, Flange 8x32	\$1.26
13	03680760	96100-62050-10	1	96100-62050-10 Bearing, Radial Ball (6205) (GX140)	\$19.59
**	01336		1	Tool Wrench, Nub Style Oil Plug Remover	\$14.81
**	01337		1	Tool Wrench, Flat Style Oil Plug Remover	\$13.46
**	25744240	15640-730-010	1	15640-730-010 Pipe, Oil Filler	\$28.07
**	10015510	15650-730-000	1	15650-730-000 Gauge, Oil Level	\$8.79
**	02555880	94608-50000	1	94608-50000 O-Ring 23x2.8	\$1.02

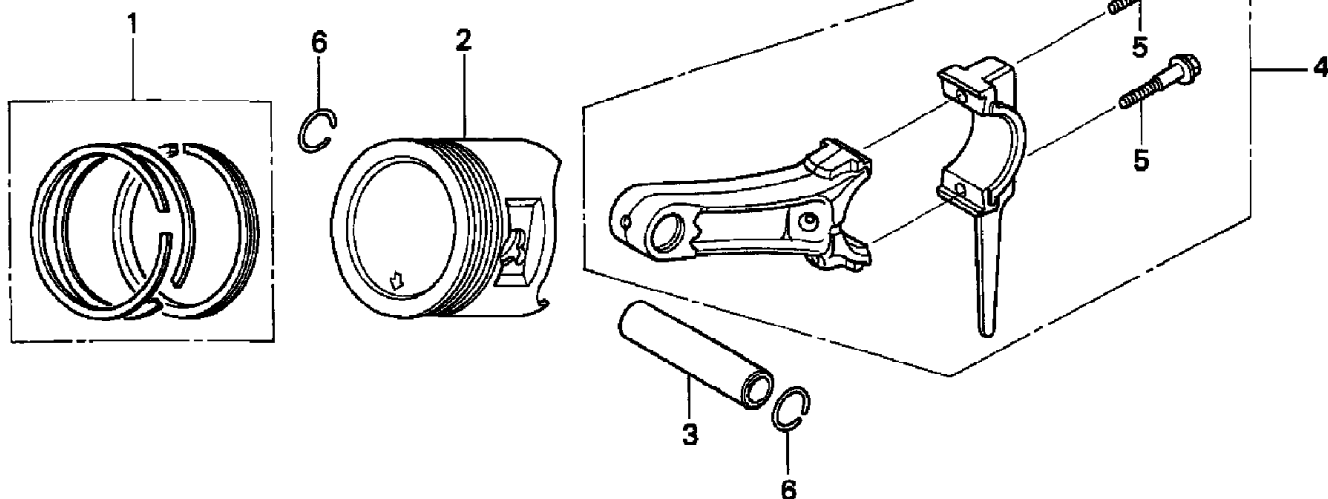
Crankshaft - GX140, GX160 & GX200



Ref #	FPX #	Honda #	Qty	Description	Price
01a	8121485	13310-ZL0-000	1	13310-ZL0-020 Crankshaft Comp. GX200	\$172.92
01b	14457660	11310-ZE1-000	1	13310-ZE1-000 Crankshaft Comp (S-Type)(160)	\$156.11
02	14267820	14311-ZE1-300	1	14311-ZE1-300 Gear, Timing	\$22.37
03	14272100	16505-ZE1-300	1	16505-ZE1-300 Gear, Governor Drive	\$15.46
04	14410620	90745-ZE1-600	1	90745-ZE1-600 Key 4.78x4.78x38	\$10.23

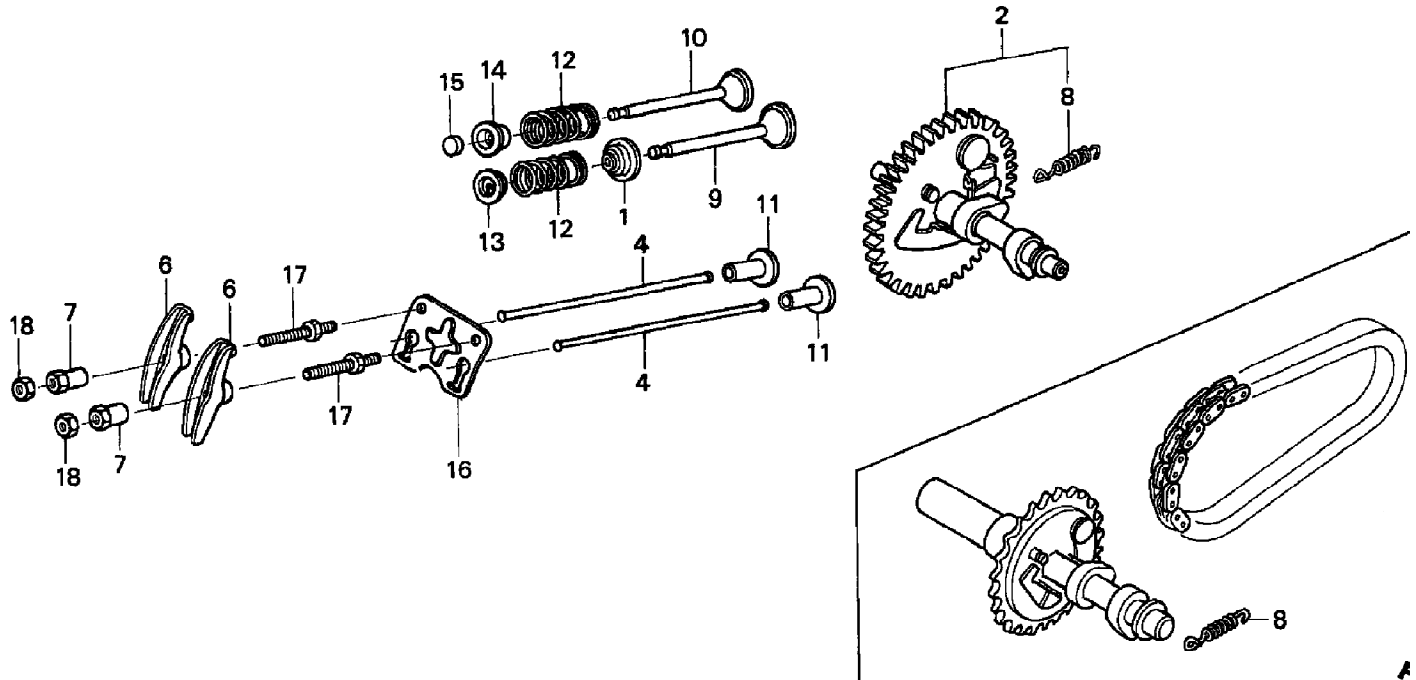
Piston - GX140, GX160 & GX200

Before ordering, Please check our website
for current promotions.
www.FunPartsXpress.com



Ref #	FPX #	Honda #	Qty	Description	Price
01a	47427710	13010-ZL0-003	1	13010-ZL0-003 Ring Set (STD) (GX200)	\$40.90
	47427890	13011-ZL0-003	1	13011-ZL0-003 Ring Set (0.25)(GX200)	\$44.52
	47427970	13012-ZL0-003	1	13012-ZL0-003 Ring Set (0.50)(GX200)	\$38.25
	47428050	13013-ZL0-003	1	13013-ZL0-003 Ring Set (0.75)(GX200)	\$34.66
01B	30112850	13010-ZF1-023	1	13010-ZF1-023 Ring Set, Piston (STD)(GX160)	\$26.75
	30180250	13011-ZF1-023	1	13011-ZF1-023 Ring Set, Piston (0.25)(GX160)	\$35.25
	30180330	13012-ZF1-023	1	13012-ZF1-023 Ring Set, Piston (0.50)(GX160)	\$34.74
	30180580	13013-ZF1-023	1	13013-ZF1-023 Ring Set, Piston (0.75)(GX160)	\$28.69
01C	30178110	13010-ZE1-013	1	13010-ZE1-013 Ring Set, Piston (STD)(GX140)	\$25.17
	30178370	13011-ZE1-013	1	13011-ZE1-013 Ring Set, Piston (0.25)(GX140)	\$25.52
	30178520	13012-ZE1-013	1	13012-ZE1-013 Ring, Piston (0.50) (GX140)	\$28.28
	30178780	13013-ZE1-013	1	13012-ZE1-013 Ring, Piston (0.50) (GX140)	\$28.28
02A	6873533	13101-ZL0-010	1	13101-ZL0-010 Piston (STD) Serial End:1026116	\$39.13
	6858203	13102-ZL0-010	1	13102-ZL0-010 Piston (0.25)(GX200) Serial End:1026116	\$50.86
	47428470	13103-ZL0-010	1	13104-ZL0-000 Piston (0.75)(GX200)	\$39.60
	47428470	13104-ZL0-010	1	13104-ZL0-000 Piston (0.75)(GX200)	\$39.60
02B	6837512	13101-ZH8-010	1	13101-ZH8-010 Piston, (STD)(GX160)	\$42.70
	6855035	13102-ZH8-010	1	13101-ZH8-010 Piston, (STD)(GX160)	\$42.70
	6855050	13103-ZH8-010	1	13103-ZH8-010 Piston, (0.50)(GX160)	\$34.07
	36834220	13104-ZH8-010	1	13104-ZH8-000 Piston, (0.75)(GX160)	\$35.62
02C	29813710	13101-ZE1-010	1	13101-ZE1-010 Piston, Std. (GX140)	\$30.21
	30987950	13102-ZE1-010	1	13102-ZE1-010 Piston (0.25)(GX140)	\$31.79
	30883900	13103-ZE1-010	1	13103-ZE1-010 Piston (0.50)(GX140)	\$28.09
	31011690	13104-ZE1-010	1	13104-ZE1-010 Piston (0.75)(GX140)	\$28.09
03	14265840	13111-ZE1-000	1	13111-ZE1-000 Pin, Piston	\$9.66
04	7351521	13200-ZE1-010	1	13200-Z0T-800 Rod Assy., Connecting	\$30.75
**	14413440	132A0-ZE1-000	1	132A0-ZE1-000 Rod Assembly, Connecting (.25) Under	\$74.74
05	14310550	90001-ZE1-000	2	90001-ZE1-000 Bolt, Connecting Rod	\$2.56
06	25391200	90550-ZE1-000	2	90551-ZE1-000 Clip, Piston Pin 18mm	\$1.09

Camshaft - GX140, GX160 & GX200



Ref #	FPX #	Honda #	Qty	Description	Price
01	6854335	12209-ZL0-003	1	12209-ZH8-003 Seal, Valve Stem (GX200)	\$7.12
02a	47429200	14100-ZL0-000	1	14100-ZL0-000 Camshaft Assembly (GX200)	\$85.21
02b	19296110	14100-ZE1-812	1	14100-ZE1-812 Camshaft Assembly (GX160)	\$105.97
04	33526550	14410-ZE1-010	2	14410-ZE1-010 Rod, Push	\$6.56
06	14268240	14431-ZE1-000	2	14431-ZE1-000 Arm, Valve Rocker	\$5.56
07	43009010	14451-ZE1-013	2	14451-ZE1-013 Pivot, Rocker Arm	\$5.48
08	14269070	14568-ZE1-000	1	14568-ZE1-000 Spring, Weight Return	\$2.58
09a	36834550	14711-ZF1-000	1	14711-ZF1-000 Valve, Intake (GX200,GX160)	\$15.47
09b	14269310	14711-ZE1-000	2	14711-ZE1-000 Valve, Intake (GX140)	\$12.53
010a	36834630	14721-ZF1-000	2	14721-ZF1-000 Valve, Exhaust	\$25.56
010b	1899939	14721-ZE1-810	1	14721-ZE1-810 Valve, Exhaust GX140	\$29.78
011a	47429460	14731-ZL0-000	1	14731-ZL0-000 Lifter, Valve (GX200)	\$13.66
011b	51813830	14441-ZE1-010	1	14441-ZE1-010 Lifter, Valve	\$10.49
12a	36834890	14751-ZF1-000	2	14751-ZF1-000 Spring, Valve	\$3.90
12b	14269720	14751-ZE1-000	2	14751-ZE1-000 Spring, Valve (GX140)	\$2.72
13	14269800	14771-ZE1-000	1	14771-ZE1-000 Retainer, Intake Valve Spring	\$6.85
14	14269980	14773-ZE1-000	1	14773-ZE1-000 Retainer, Exhaust Valve Spring	\$7.06
15	14270040	14781-ZE1-000	1	14781-ZE1-000 Rotator, Valve	\$4.59
16	18999470	14791-ZE1-010	1	14791-ZE1-010 Plate, Push Rod Guide	\$2.82
17	17569641	90012-ZE0-010	2	90012-ZE0-010 Bolt, Pivot	\$6.45
18	14312870	90206-ZE1-000	2	90206-ZE1-000 Nut, Pivot Adjusting	\$3.28

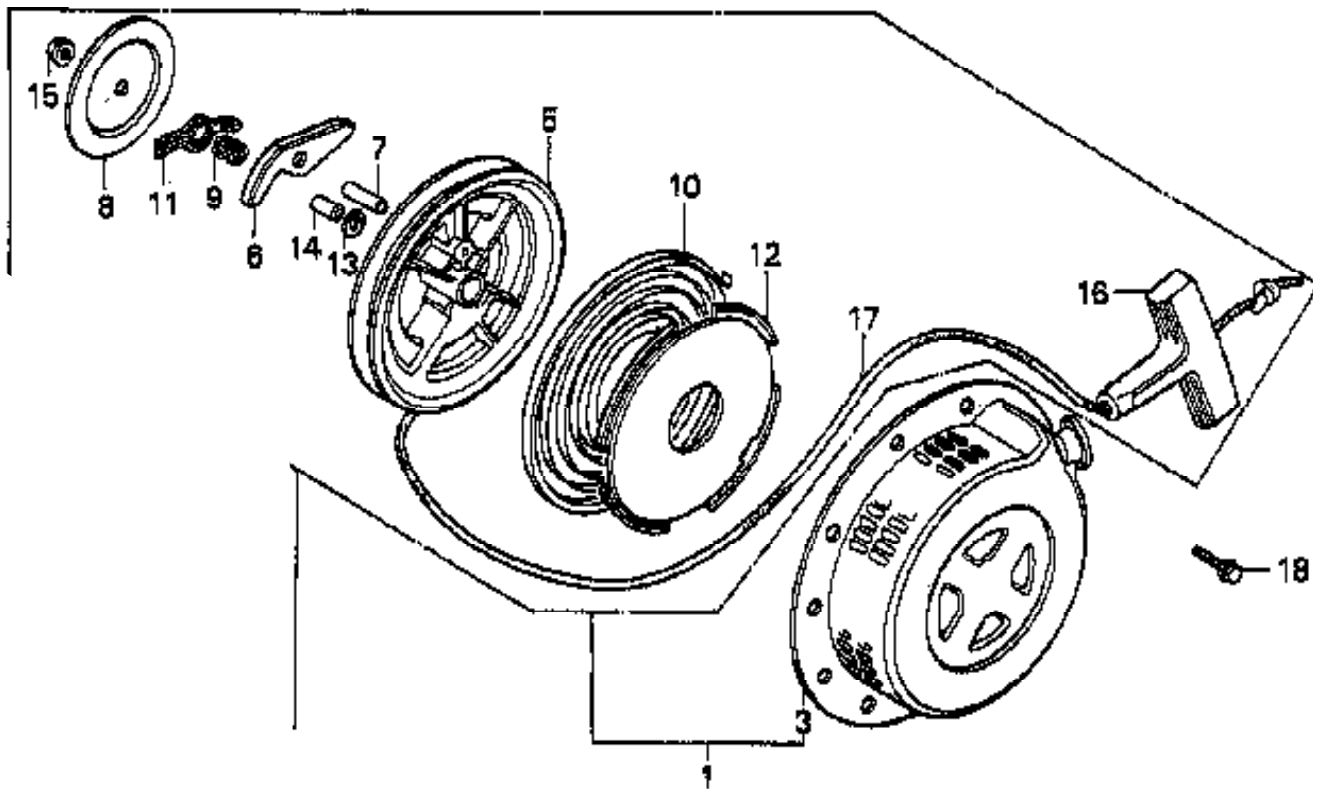
E-MAIL: parts@funpartsexpress.com Internet: <http://www.funpartsexpress.com>

TOLL FREE PHONE ORDERING: 1-800-854-3140

INTERNATIONAL PHONE ORDERING: 1-503-304-8899

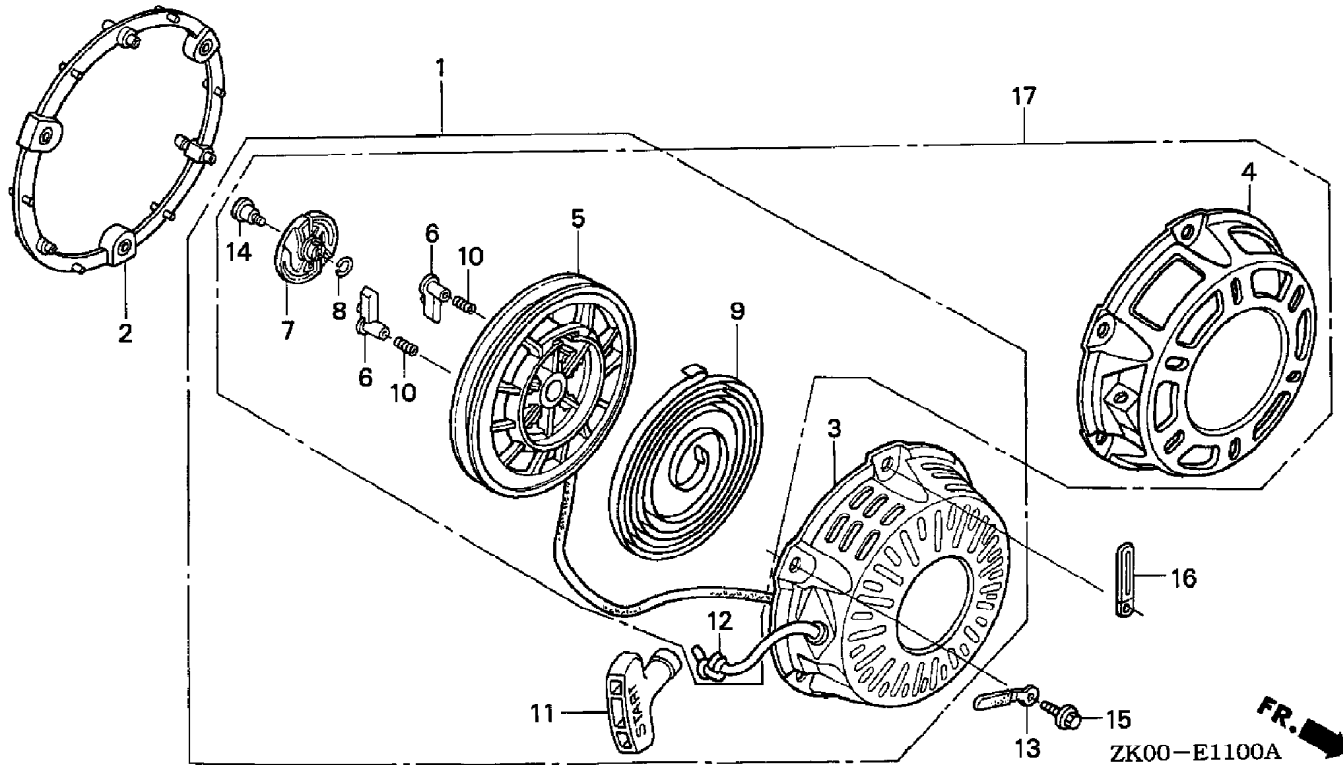
Prices subject to change without notice. 17

Starter - GX140



Ref #	FPX #	Honda #	Qty	Description	Price
01	7625536	28400-ZE1-003ZA	1	28400-ZE1-003ZF Starter Assembly, Recoil	\$102.26
03	33498830	28410-ZE1-003ZA	1	28410-ZE1-003ZA Case, Recoil Stater	\$60.86
05	14285980	28420-ZE1-003	1	28420-ZE1-003 Pulley, Recoil Start (GX140)	\$27.30
06	14286060	28422-ZE1-003	1	28422-ZE1-003 Ratchet, Starter (GX140)	\$4.38
07	14286140	28423-ZE1-003	1	28423-ZE1-003 Pin, Start Ratchet (GX140)	\$5.65
08	14286220	28431-ZE1-003	1	28431-ZE1-003 Plate, Friction (GX140)	\$4.97
09	14286300	28441-ZE1-003	1	28441-ZE1-003 Spring, Friction (GX140)	\$4.28
10	14286480	28442-ZE1-003	1	28442-ZE1-003 Spring, Recoil Start (GX140)	\$21.35
11	14286550	28443-ZE1-003	1	28443-ZE1-003 Guide, Ratchet (GX140)	\$9.97
12	14286630	28445-ZE1-003	1	28445-ZE1-003 Case, Recoil Starter Spring (GX140)	\$8.62
13	14286710	28446-ZE1-003	1	28446-ZE1-003 Washer, Starter (GX140)	\$3.30
14	14286890	28447-ZE1-003	1	28447-ZE1-003 Shaft, Sub (GX140)	\$3.88
15	14286970	28448-ZE1-003	1	28448-ZE1-003 NUT (GX140)	\$2.81
16	14287470	28461-ZE1-003	1	28461-ZE1-003 Knob, Recoil Start (GX140)	\$8.45
17	52688180		200'	Rope, Starter 200' Roll #5.5(Go Karts Only)08	\$26.27
18	24108760	95701-06010-00	3	95701-06010-00 Bolt Flange 6x10	\$0.86

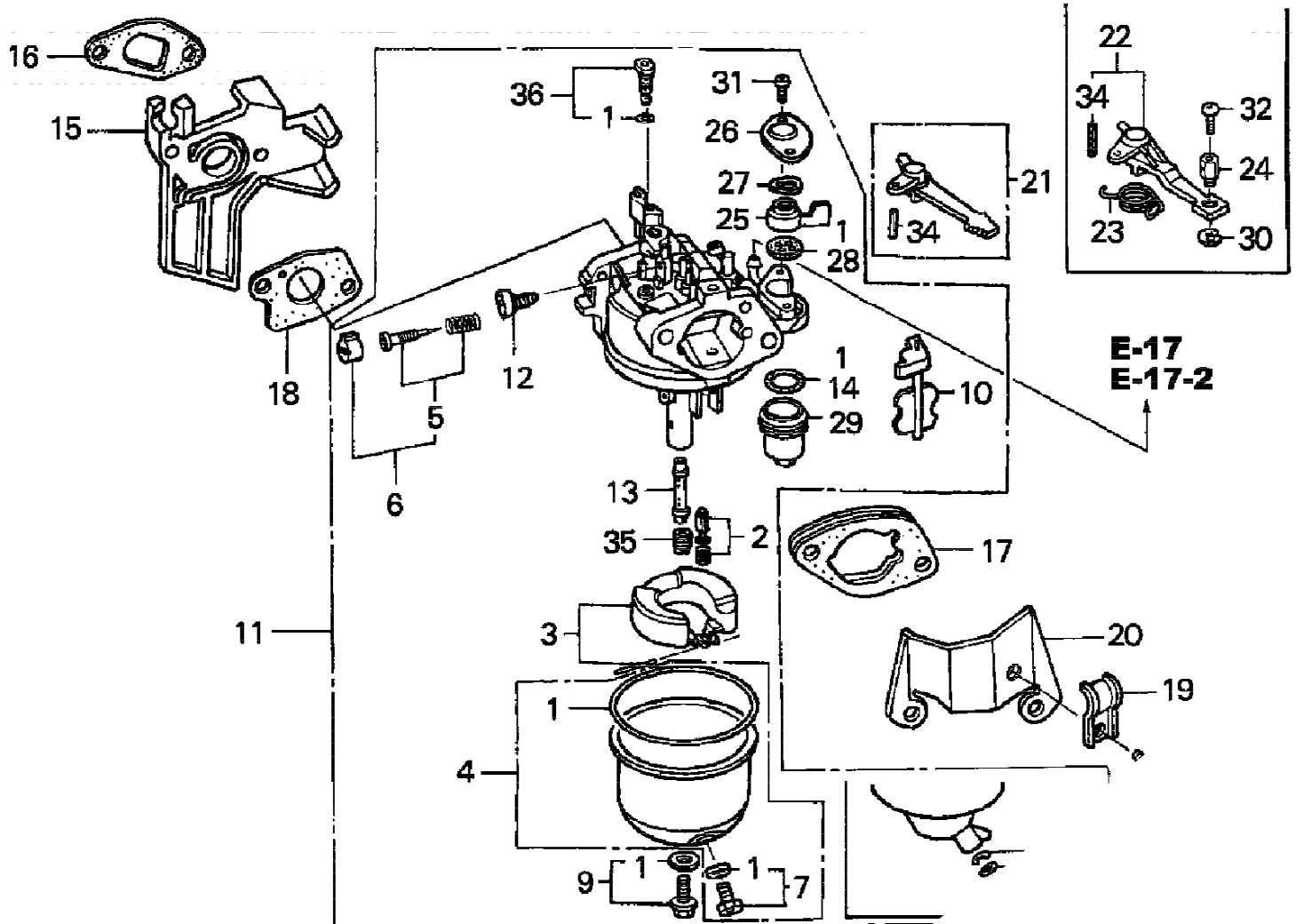
Starter - GX160 & GX200 - Old Style



Ref #	FPX #	Honda #	Qty	Description	Price
01	7346810	28400-ZH8-013ZA	1	28400-ZH8-013YA Starter Assy. *R280* Use up to SN 1937022	\$111.18
01a	7546781	28400-ZH8-023YA	1	28400-ZH8-023YA Starter Assy. *R280* Use from SN 1937023	\$86.04
02	7352057	28405-ZL0-000ZB	1	28405-ZL0-000ZC Spacer, *R280R*	\$18.74
03	7346836	28410-ZH8-003ZA	1	28410-ZH8-003YA Case, Recoil Starter (GX160) R280	\$91.15
05	41930660	28420-ZH8-013	1	28410-ZH8-003YA Case, Recoil Starter (GX160) R280	\$91.15
06	41930740	28422-ZH8-013	2	28422-ZH8-013 Ratchet, Starter (GX160)	\$6.62
07	36838930	28433-ZH8-003	1	28433-ZH8-003 Guide, Ratchet (GX160)	\$9.66
08	36839010	28441-ZH8-003	1	28441-ZH8-003 Clip (GX160)	\$4.61
09	36839190	28442-ZH8-003	1	28442-ZH8-003 Spring, Recoil Start (GX160)	\$19.45
10	36839270	28443-ZH8-003	2	28443-ZH8-003 Spring, Return (GX160)	\$4.61
11	9346461	28461-ZH8-003	1	28461-ZH8-013 Knob, Recoil Starter (GX160)	\$6.36
12	52688180		200'	Rope, Starter 200' Roll #5.5(Go Karts Only)08	\$26.27
**	8021503	87521-ZH8-010	1	87521-ZH8-505 Emblem (Internal) (GX160)	\$7.25
14	36842220	90003-ZH8-003	1	90003-ZH8-003 Screw, Setting (GX160) Not Shown	\$5.11
15a	24109000	95701-06018-00	3	95701-06018-00 Bolt, Flange (6x18)	\$0.97
15b	25813530	95701-06008-00	3	95701-06008-00 Bolt, Flange 6x8	\$2.08

Carburetor - GX140, GX160 & GX200

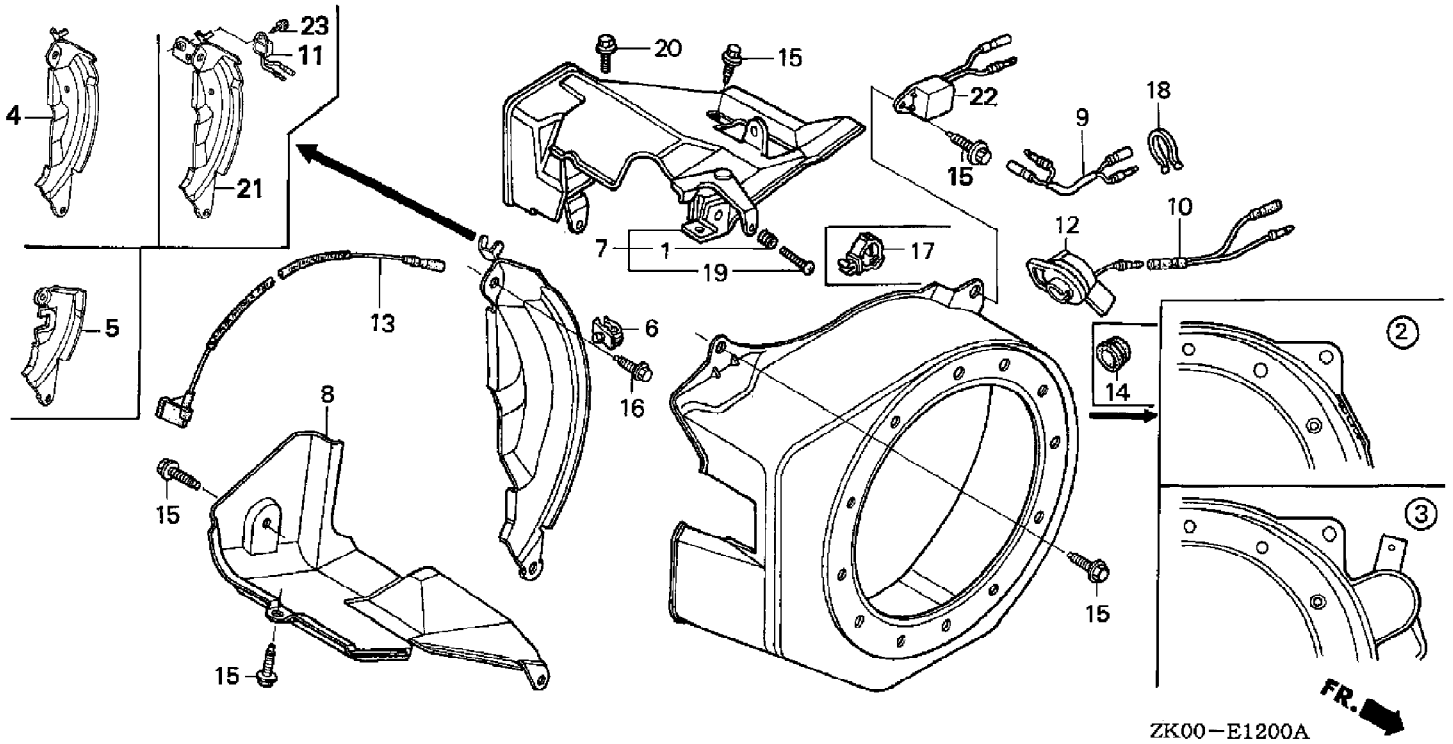
Before ordering, Please check our website
for current promotions.
www.FunPartsXpress.com



Carburetor - GX140, GX160 & GX200

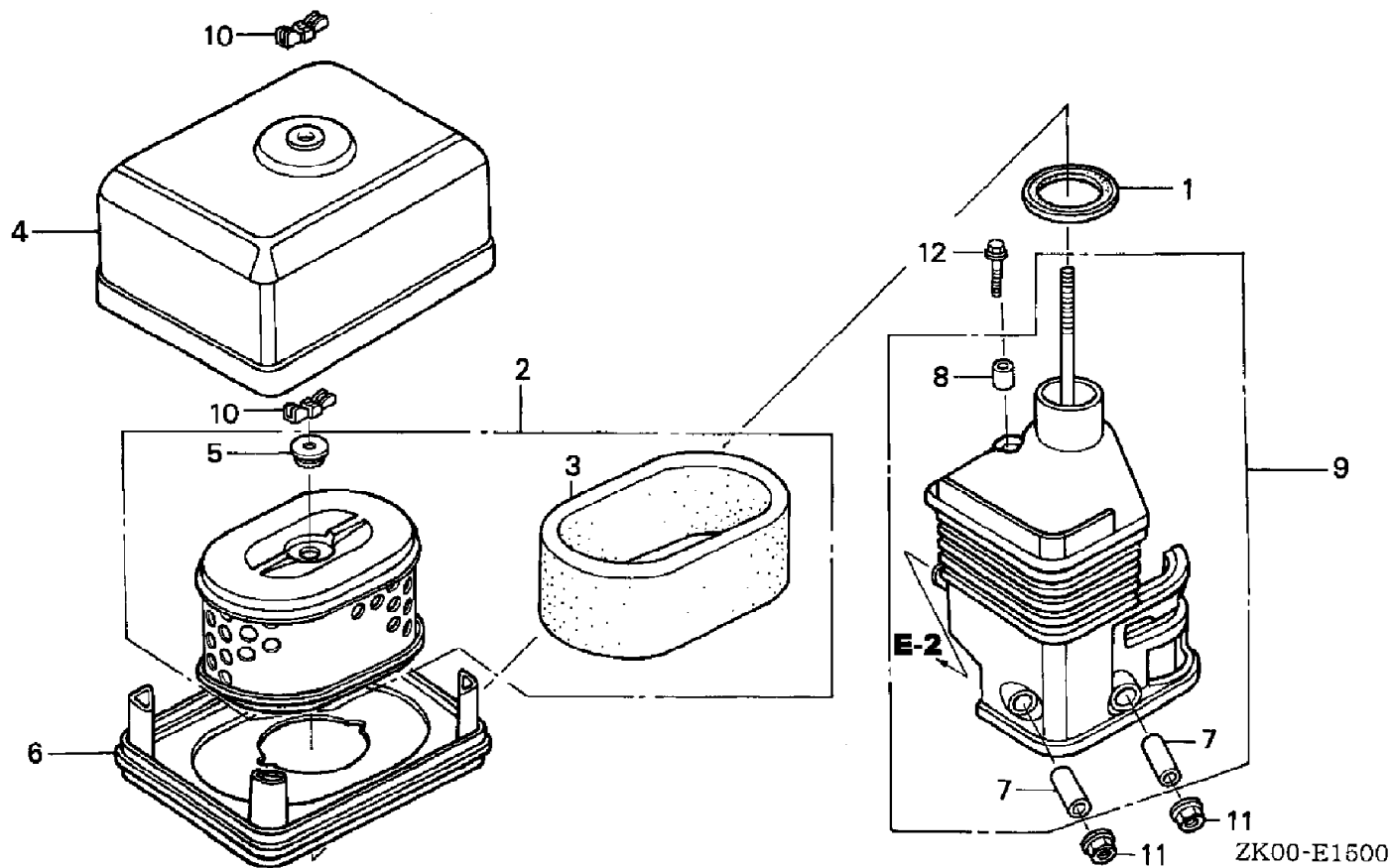
Ref #	FPX #	Honda #	Qty	Description	Price
01	34771710	16010-ZE1-812	1	16010-ZE1-812 Gasket Set (GX160)	\$14.93
02	14414760	16011-ZE0-005	1	16011-ZE0-005 Valve Seat, Float(AH,H)	\$21.32
03	14414920	16013-ZE0-005	1	16013-ZE0-005 Float Set	\$20.44
04	24642870	16015-ZE1-811	1	16015-ZE1-811 Chamber Set, Float	\$26.34
05	42198790	16016-ZH7-W01	1	16016-ZH7-W01 Screw Set	\$16.07
**	14415000	16016-ZE0-005	1	16016-ZE0-005 Screw Set, Pilot	\$11.54
06	16721870	16024-ZE1-811	1	16024-ZE1-811 Screw Set, Drain	\$10.47
07	8866253	16028-ZE0-005	1	16028-ZK7-S91 Screw Set	\$9.51
10	14415260	16044-ZE0-005	1	16044-ZE0-005 Choke Set	\$28.48
11a	51481010	16100-ZL0-W51	1	16100-ZL0-W51 Carburetor (BE64B) (GX200) (Stamp:BE64)	\$83.19
11b	51837280	16100-ZH8-822	1	16100-ZH8-822 Carburetor Assy.(GX160) (Stamp: BE65)	\$71.15
11c	35217540	16100-ZE1-825	1	16100-ZE1-825 Carburetor Assembly (GX140)	\$77.46
12	14415590	16124-ZE0-005	1	16124-ZE0-005 Screw, Throttle Stop	\$12.03
13a	47430500	16166-ZL0-000	1	16166-ZL0-000 Nozzle, Main (GX200)	\$23.30
13b	42295630	16166-ZH8-W50	1	16166-ZH8-W50 Nozzle, Main (GX160)	\$16.70
13c	14415750	16166-ZE1-005	1	16166-ZE1-005 Nozzle, Main (GX140)	\$19.22
14	00056520	16173-001-004	1	16173-001-004 Packing, Fuel Strainer Cup	\$5.59
15a	47430680	16211-ZL0-000	1	16211-ZL0-000 Insulator, Carburetor (GX200)	\$16.36
15b	14271370	16211-ZE1-000	1	16211-ZE1-000 Insulator, Carburetor	\$17.41
16a	36835470	16212-ZH8-800	1	16212-ZH8-800 Gasket, Insulator (GX160)	\$2.56
16b	45373530	16223-ZE1-800	1	16223-ZE1-800 Packing Insulator (GX140)	\$2.28
17	25340550	16220-ZE1-020	1	16220-ZE1-020 Spacer Comp., Carburetor	\$6.43
18	47252890	16221-ZH8-801	1	16221-ZH8-801 Gasket, Carburetor Mounting	\$1.26
21	14401140	16610-ZE1-000	1	16610-ZE1-000 Lever Comp., Choke (Std)	\$8.17
25	51673580	16953-ZE1-406	1	16953-ZE1-406 Lever, Valve	\$9.41
26	51481350	16954-ZE1-812	1	16954-ZE1-812 Lever, Valve	\$2.57
27	18078090	16956-ZE1-811	1	16956-ZE1-811 Spring, Cock Lever	\$2.90
28	34407080	16957-ZE1-812	1	16957-ZE1-812 Packing, Fuel Cock	\$3.14
29	14415830	16967-ZE0-811	1	16967-ZE0-811 Cup, Fuel Strainer	\$17.76
31	04205050	93500-03008-0G	1	93500-03008-0G Screw, Pan 3x8	\$0.61
34	14415910	94305-20122	1	94305-20122 Pin, Spring 2x12	\$2.32
35a	43133750	99101-ZH7-0650	1	99101-ZH7-0650 Jet, Main #65	\$8.02
	42138230	99101-ZH7-0680	1	99101-ZH7-0680 Jet, Main #68	\$7.47
	42138310	99101-ZH7-0700	1	99101-ZH7-0700 Jet, Main #70	\$6.91
	42125280	99101-ZH7-0720	1	99101-ZH7-0720 Jet, Main #72 (STD)	\$6.83
35b	06354820	99101-124-0620	1	99101-124-0620 Jet Main #62 (GX140)	\$6.58
	06361260	99101-124-0650	1	99101-124-0650 Jet Main #65 (GX140)	\$5.38
	06361340	99101-124-0680	1	99101-124-0680 Jet Main #68 (GX140)	\$6.01
36a	20604650	99204-ZA0-0450	1	99204-ZA0-0450 Jet Set, Pilot (#45)	\$17.43
	14416090	99204-ZE0-0350	1	99204-ZE0-0350 Jet Set, Pilot #35	\$17.43

Fan Cover - GX140, GX160 & GX200



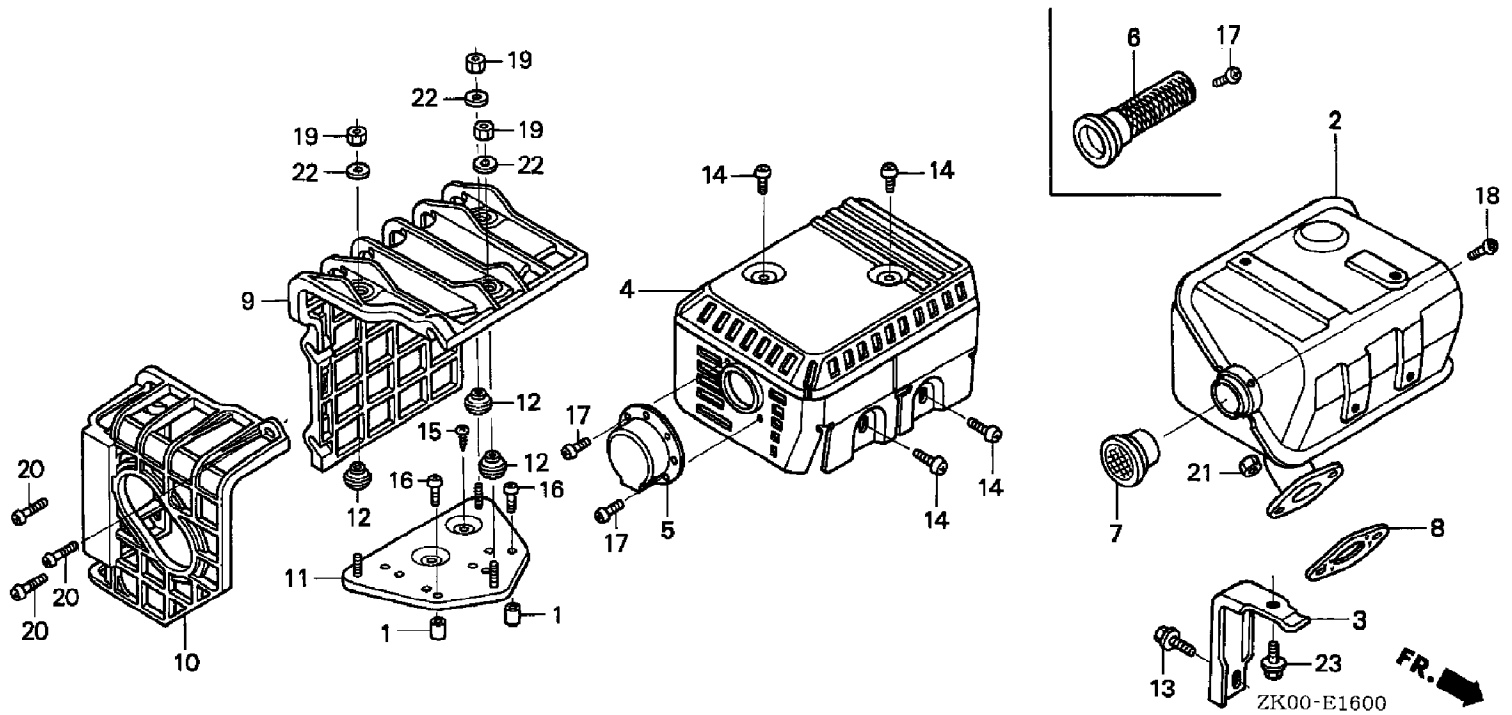
Ref #	FPX #	Honda #	Qty	Description	Price
02a	7352008	19610-ZL0-000ZB	1	19610-ZL0-000ZJ Cover, Fan (GX200) *R280*	\$15.95
02b	7351950	19610-ZE1-000ZP	1	19610-ZE1-000ZP Cover Comp., Fan *R8* Serial E:1120542	\$65.29
04a	36837600	19612-ZH8-010	1	19612-ZH8-000 Plate, Side (GX200)	\$6.89
04b	5891536	19612-ZH8-810	1	19612-ZH8-812 Plate, Side (GX160)	\$7.43
05	36837860	19612-ZH8-830	1	19612-ZH8-830 Plate, Side (Alert & Lamp)	\$6.72
06	5891544	19613-ZE1-000	1	19613-ZE1-010 Clamp, Cord	\$1.34
08a	36838020	19630-ZH8-000	1	19630-ZH8-000 Shroud Comp. (GX160)	\$12.45
08b	14281840	19631-ZE1-000	1	19631-ZE1-000 Shroud Comp. (GX140)	\$12.33
09	41930820	32197-ZH8-003	1	32197-ZH8-003 Sub Harness	\$8.18
12	27878690	36100-ZE1-015	1	36100-ZE1-015 Switch Assembly, Engine Stop"short single lead"	\$16.28
13	36840320	36101-ZE1-101	1	36101-ZE1-010 Wire, Stop Switch 370mm (GX160,240,270)	\$8.60
**	36842140	87530-ZH8-810	1	87530-ZH8-810 Label, Specification (External)	\$3.04
15	06368450	90013-883-000	6	90013-883-000 Bolt, Flange 6x12	\$1.58
16	06715520	90022-888-010	1	90022-888-010 Bolt, Flange 6x20	\$2.26
**	010692		2	Bracket, Stop Switch & Meter Mount	\$11.22

Air Filter/Housing - GX140, GX160 & GX200



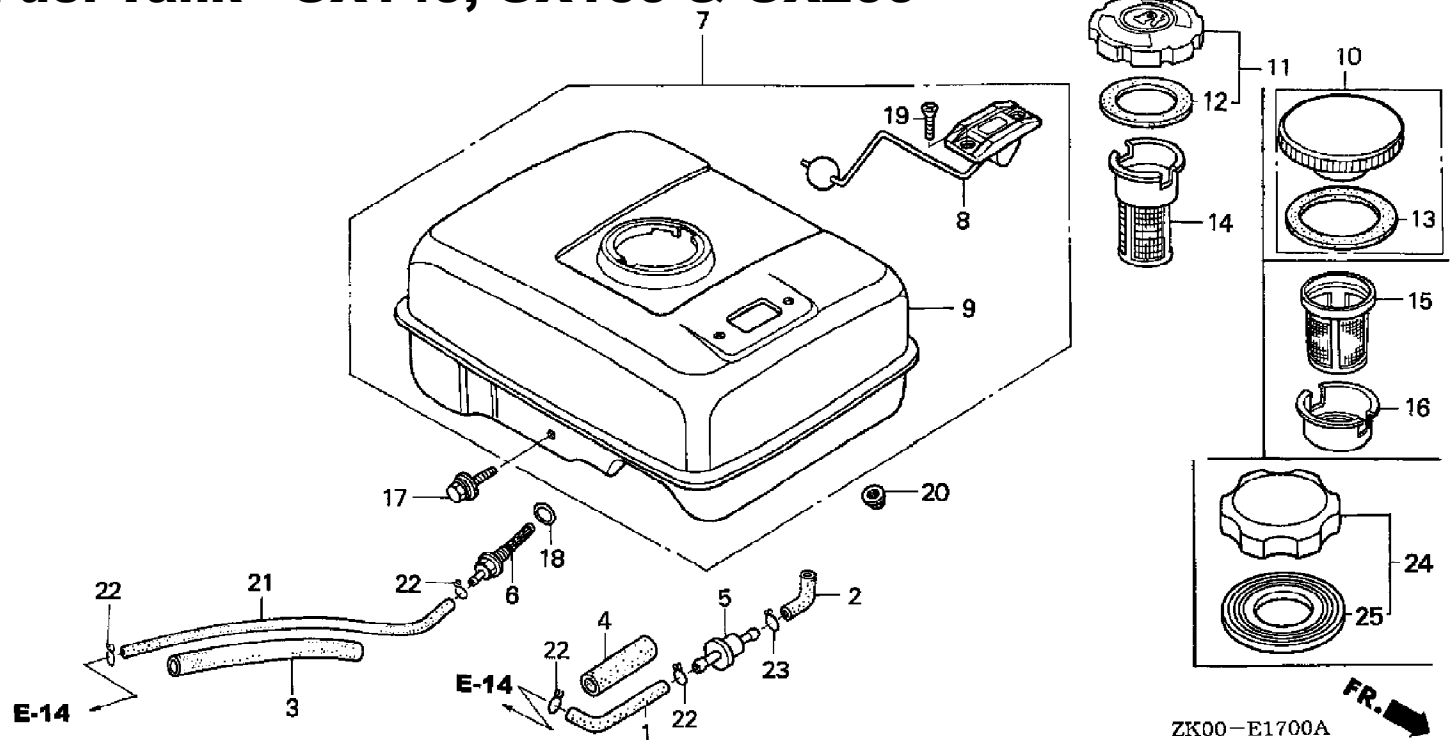
Ref #	FPX #	Honda #	Qty	Description	Price
01	14271940	16271-ZE1-000	1	16271-ZE1-000 Packing, Elbow	\$3.62
02	7372444	17210-ZE1-505	1	17210-ZE1-517 Element Air Cleaner Filter (Dual) 5.5 or 6.5hp	\$16.16
03	7351885	17218-ZE1-505	1	17218-ZE1-507 Filter, Outer	\$6.97
04	14457900	17230-ZE1-820	1	17230-ZE1-820 Cover, Air Cleaner (Dual) 5.5 or 6.5hp	\$17.84
05	09997630	17232-891-000	1	17232-891-000 Grommet, Air Cleaner	\$4.75
07	24556730	17238-ZE7-010	2	17238-ZE7-010 Collar, Air Cleaner	\$2.92
08	14275330	17239-ZE1-000	1	17239-ZE1-000 Collar B, Air Cleaner	\$3.43
09	24816530	17410-ZE1-020	1	17410-ZE1-020 Elbow Comp., Air Cleaner 5.5 or 6.5hp	\$32.79
**	16967150	87528-ZE1-810	1	87528-ZE1-810 Mark, Choke	\$1.44
10a	17422380	90203-ZA0-800	1	90203-ZA0-800 Nut, Wing 6mm	\$3.16
10b	01277200	90325-044-000	1	90325-044-000 Nut, Tool Box Setting	\$2.89
11	04716230	94050-06000	2	94050-06000 Nut, Flange 6mm	\$0.90
12a	21058150	95701-06020-00	1	95701-06020-00 Bolt, Flange (6X20)	\$0.63
12b	24106940	93404-06020-08	1	93404-06020-08 Bolt & Washer 6x20	\$0.86
**	14276160	17421-ZE1-000	1	17421-ZE1-000 Cap, Cleaner	\$9.49
**	14416330	17231-ZE1-000	1	17231-ZE1-000 Cover, Air Cleaner	\$40.29
**	14416170	17211-ZE1-000	1	17211-ZE1-000 Element, Air Cleaner	\$9.72
**	14416250	17212-ZE1-000	1	17212-ZE1-000 Grid, Air Cleaner	\$7.06
**	47552600	17235-ZE1-831	1	17235-ZE1-831 Nose, Silencer	\$17.36
**	SP-2747		1	Filter, Air GX160, 200 K&N	\$39.98

Muffler - GX140, GX160 & GX200



Ref #	FPX #	Honda #	Qty	Description	Price
02a	36837110	18310-ZH8-810	1	18310-ZH8-810 Muffler Comp. (GX160)	\$84.66
02b	25741350	18310-ZE1-821	1	18310-ZE1-821 Muffler Comp, Silent (GX160)	\$100.47
02c	36837030	18310-ZF1-000	1	18310-ZF1-000 Muffler Comp. Std. (GX140)	\$65.90
02d	4743100	18310-ZL0-000	1	18310-ZL0-000 Muffler Comp. Silent GX200	\$99.54
03	15408300	18315-ZE1-000	1	18315-ZE1-000 Stay, Muffler (GX160)	\$12.98
04a	46448110	18320-ZF1-H01	1	18320-ZF1-H01 Protector, Muffler Std.	\$32.45
04b	9374331	18320-ZF1-H51	1	18320-ZF1-H52 Protector, Muffler (Silent)	\$33.53
05	34407240	18340-ZE1-010	1	18340-ZE1-010 Cap, Muffler	\$15.97
**	29141090	18325-ZE1-010	1	18325-ZE1-010 Protector, Lower	\$21.23
**	34407240	18340-ZE1-010	1	18340-ZE1-010 Cap, Muffler	\$15.97
06a	14277800	18355-ZE1-000	1	18355-ZE1-000 Arrester, Spark	\$10.88
06b	4743126	18355-ZL0-000	1	18355-ZL0-000 Arrester, Spark GX200	\$22.39
**	4743134	18361-ZL0-000	1	18361-ZL0-000 Netting, Wire Flange GX200	\$15.33
08a	36837450	18381-ZH8-800	1	18381-ZH8-800 Gasket, Muffler (GX160)	\$5.56
08b	40065650	18381-ZE1-800	1	18381-ZE1-800 Gasket, Muffler (GX140)	\$4.44
08c	34407320	18522-ZE1-000	1	18522-ZE1-000 Guide, Muffler (GX200)	\$12.92
13	15410020	90016-ZE1-000	1	90016-ZE1-000 Bolt Flange 6x13	\$2.34
14	14311050	90050-ZE1-000	2	90050-ZE1-000 Screw, Tapping 5x8	\$1.56
17	52870320	90002-ZG0-003	1	90002-ZG0-003 Screw, Tapping 4x8	\$1.38
18	14311210	90055-ZE1-000	1	90055-ZE1-000 Screw, Tapping 4x6	\$0.91
21	01673380	94001-08000-0S	1	94001-08000-0S Nut, Hex 8mm	\$0.68
23	21057990	95701-06012-00	1	95701-06012-00 Bolt, Flange 6x12	\$0.59

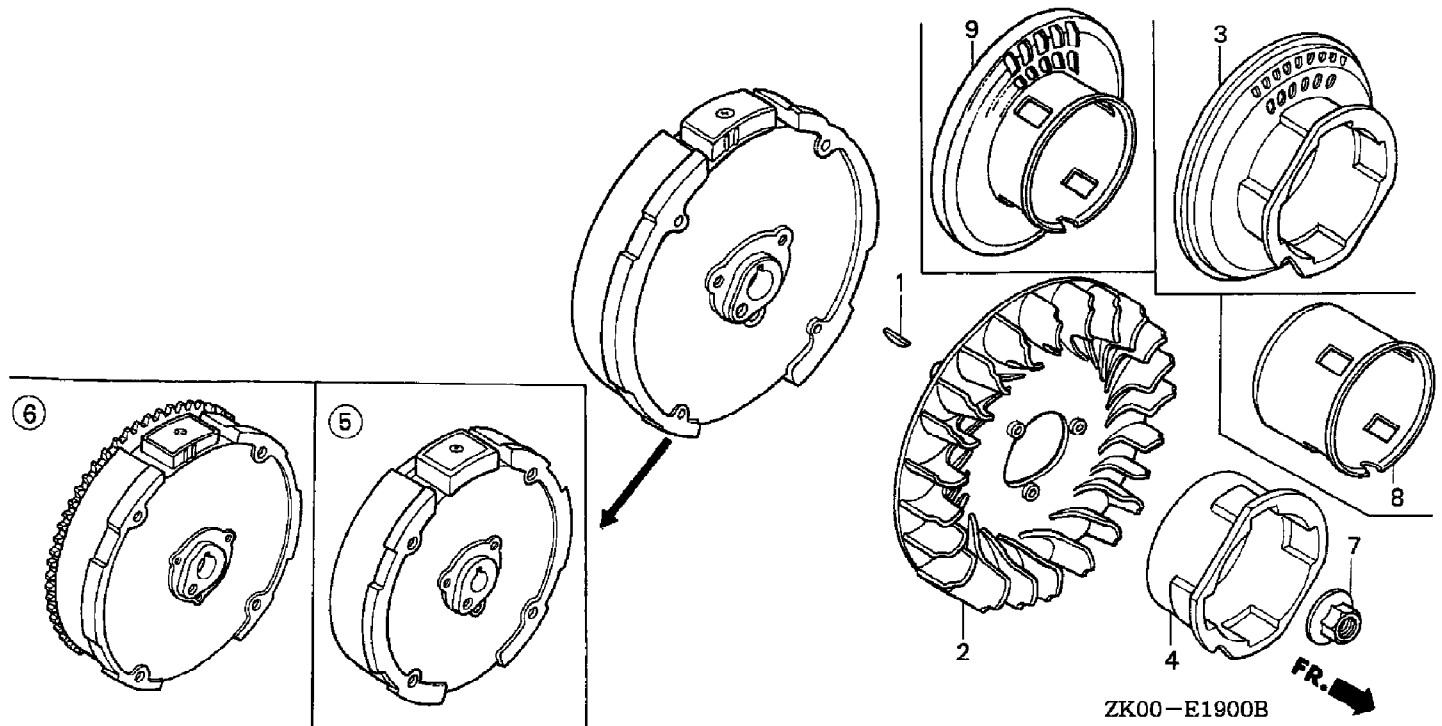
Fuel Tank - GX140, GX160 & GX200



ZK00-E1700A

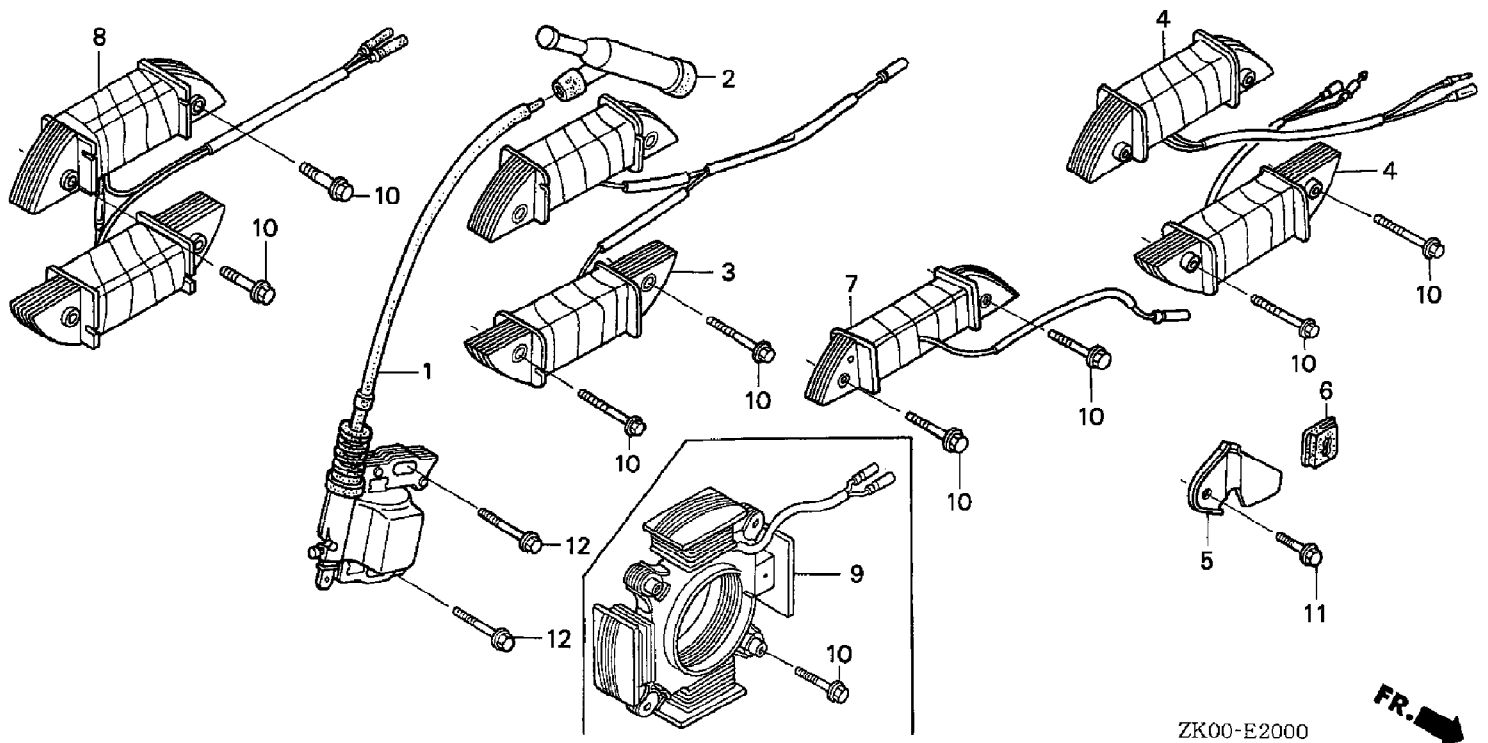
Ref #	FPX #	Honda #	Qty	Description	Price
03a	36836460	16854-ZH8-000	1	16854-ZH8-000 Rubber, Supporter (GX160)	\$3.75
03b	14366740	16854-ZE1-000	1	16854-ZE1-000 Rubber, Supporter (GX140)	\$2.61
06	14274590	16955-ZE1-000	1	16955-ZE1-000 Joint, Fuel Tank	\$9.47
07	36836610	17510-ZE1-020ZA	1	17510-ZE1-020ZA Tank Comp., Fuel (5.5,6.5 hp)	\$57.25
10	53448170	17620-ZH7-023	1	17620-ZH7-023 Cap, Fuel Filler	\$14.31
**	28926100	17620-402-010	1	17620-402-010 Fuel, Cap (GX140)	\$12.74
12	28205870	17631-ZH7-003	1	17631-329-003 Packing, Fuel Filler Cap	\$2.83
15	04747590	17672-880-000	1	17672-880-000 Fuel, Filter	\$10.21
16	07881090	17673-893-000	1	17673-893-000 Holder, Fuel Filler Cap	\$9.49
**	14310140	87522-ZE1-810	1	87522-ZE1-810 Mark, Caution (External)	\$2.19
**	7005820	87522-ZH9-000	1	87522-ZH9-010 Label, Caution	\$3.53
**	41933550	87532-ZH8-810	1	87532-ZH8-810 Mark, Oil Alert (External)	\$3.92
**	42120310	87586-ZH7-W00	1	87586-ZH7-W00 Label, Fuel Caution	\$2.48
**	14310480	89218-ZE1-000	1	89218-ZE1-000 Wrench, Spark Plug	\$1.10
17a	24012220	95701-06030-00	1	95701-06030-00 Bolt Flange 6 x 30 (GX200)	\$2.12
17b	21058310	95701-06025-00	1	95701-06025-00 Bolt, Flange 6x25	\$0.87
18	09498830	91353-671-003	1	91353-671-003 O-Ring, 14mm	\$2.11
20	04716230	97050-06000	2	94050-06000 Nut, Flange 6mm	\$0.90
21a	42603450	95001-45008-60m		95001-45008-60M Bulk Hose (4.5x8000)	\$58.63
21b	H-173		1ft	Hose, Fuel Line 3/16" (Go-Kart & Bumper Boats)	\$0.15
22	02506470	95002-02080	2	95002-02080 Clip BB, Tube	\$0.86
**	0108011		1	Tank, Fuel Bare 2.2 Gal. "Clear" (5.5 or 6.5HP Motor)	\$88.64
**	0108011B		1	Tank, Fuel Bare 2.2 Gal. "Black" (5.5 or 6.5HP Motor)	\$88.64
**	1-60-A0180		1	Cap, Fuel FPX Anti-Spill Tip Over Cap	\$16.78
opt	010822		1	Cap, Fuel Kelch (Non Vent)	\$7.09
**	00877		3	Bolt, 1/4-20 x 1 B5-Z	\$0.24
**	00966		3	Washer, 1/4 Z Flat (33004)	\$0.20

Flywheel - GX140, GX160 & GX200



Ref #	FPX #	Honda #	Qty	Description	Price
01	03484330	13331-357-000	1	13331-357-000 Key, Woodruff 25x18	\$2.34
02	14280510	19511-ZE1-000	1	19511-ZE1-000 Fan, Cooling	\$22.59
04a	47432330	28451-ZL0-000	1	28451-ZL0-000 Pulley, Starter	\$15.10
04b	36839430	28451-ZH8-003	1	28451-ZH8-003 Pulley, Starter (GX160)	\$24.86
04c	14287210	28451-ZE1-003	1	28451-ZE1-003 Pulley, Starter (GX140)	\$22.81
05a	22900540	31100-ZE7-000	1	31100-ZE7-000 Flywheel Comp. (GX200)	\$109.84
05b	5308440	31100-ZE1-811	1	31100-ZE1-811 Flywheel Comp	\$109.55
06	5308440	31100-ZE1-810	1	31100-ZE1-811 Flywheel Comp	\$109.55
07	04420380	90201-878-003	1	90201-878-003 Nut, Special (flange) 14mm	\$5.30
08	7706401		1	28451-ZL0-801 Pulley, Starter Use from SN 1937023 And Newer	\$20.26

Ignition Coil - GX140, GX160 & GX200



ZK00-E2000

Ref #	FPX #	Honda #	Qty	Description	Price
01	8630576	30500-ZE1-063	1	30500-ZE1-073 Coil Assy, Ignition 5.5 or 6.5 hp	\$78.27
02	35268370	30700-ZE1-013	1	30700-ZE1-013 Cap Assembly, Noise Suppressor	\$17.16
03	25815440	31510-ZE1-711	1	31510-ZE1-711 Coil, Lamp (12V/50W)	\$119.69
04	14971970	31511-ZE1-000	1	31511-ZE1-000 Clamp, Cord	\$3.36
05	14972050	31512-ZE1-000	1	31512-ZE1-000 Grommet, Cord	\$2.19
07	36840320	36101-ZE1-010	1	36101-ZE1-010 Wire, Stop Switch 370mm (GX160,240,270)	\$8.60
08	06368520	90015-883-000	4	90015-883-000 Bolt, Flange 6x28	\$2.47
09	06368520	90015-883-000	4	90015-883-000 Bolt, Flange 6x28	\$2.47
10	06368780	90019-883-000	1	90019-883-000 Bolt, Flange 5x10	\$2.24
11	07481110	90121-952-000	2	90121-952-000 Bolt, Flange 6x25	\$1.82

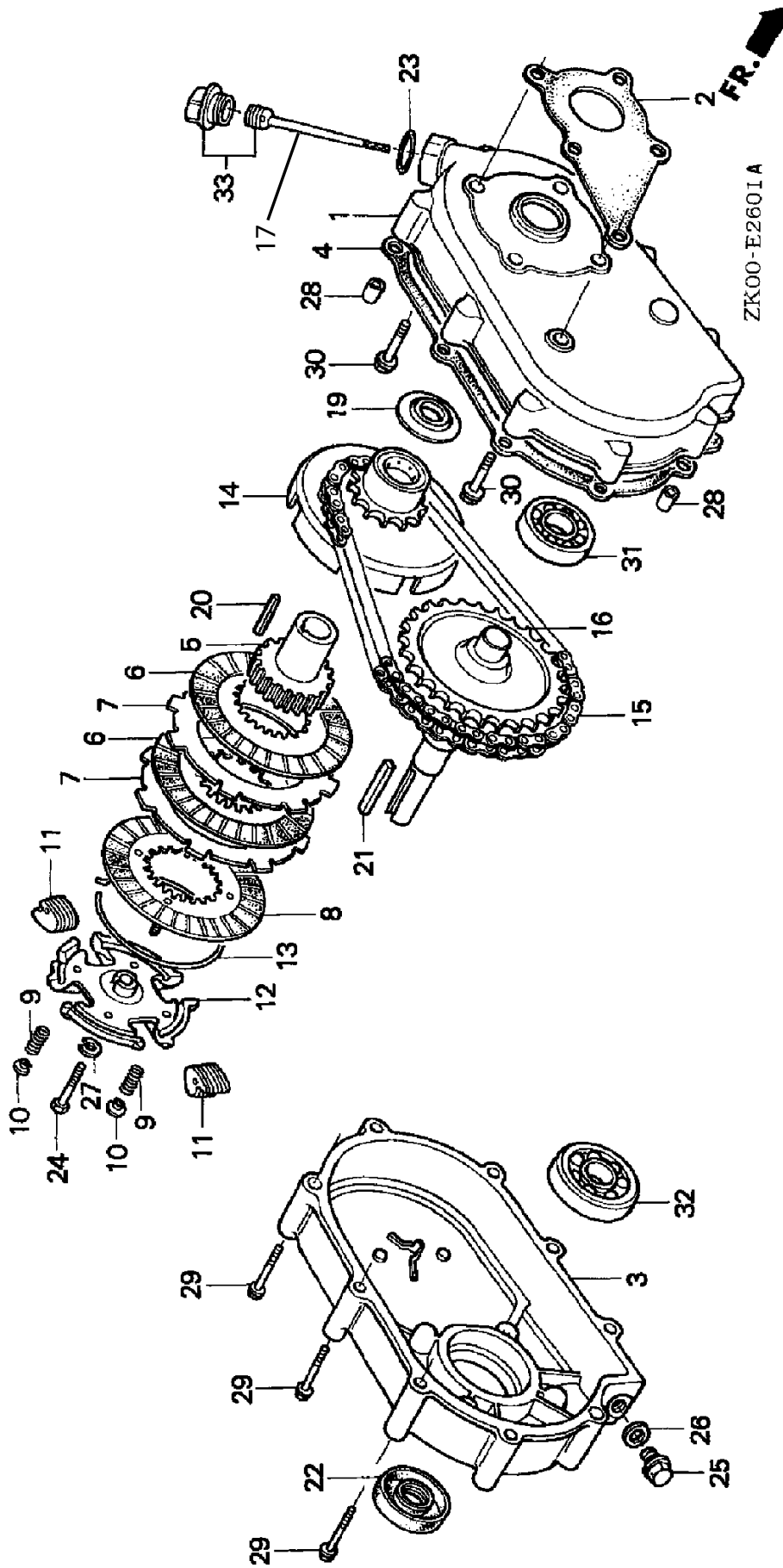
E-MAIL: parts@funpartsxpress.com Internet: <http://www.funpartsxpress.com>

TOLL FREE PHONE ORDERING: 1-800-854-3140

INTERNATIONAL PHONE ORDERING: 1-503-304-8899

Prices subject to change without notice. **27**

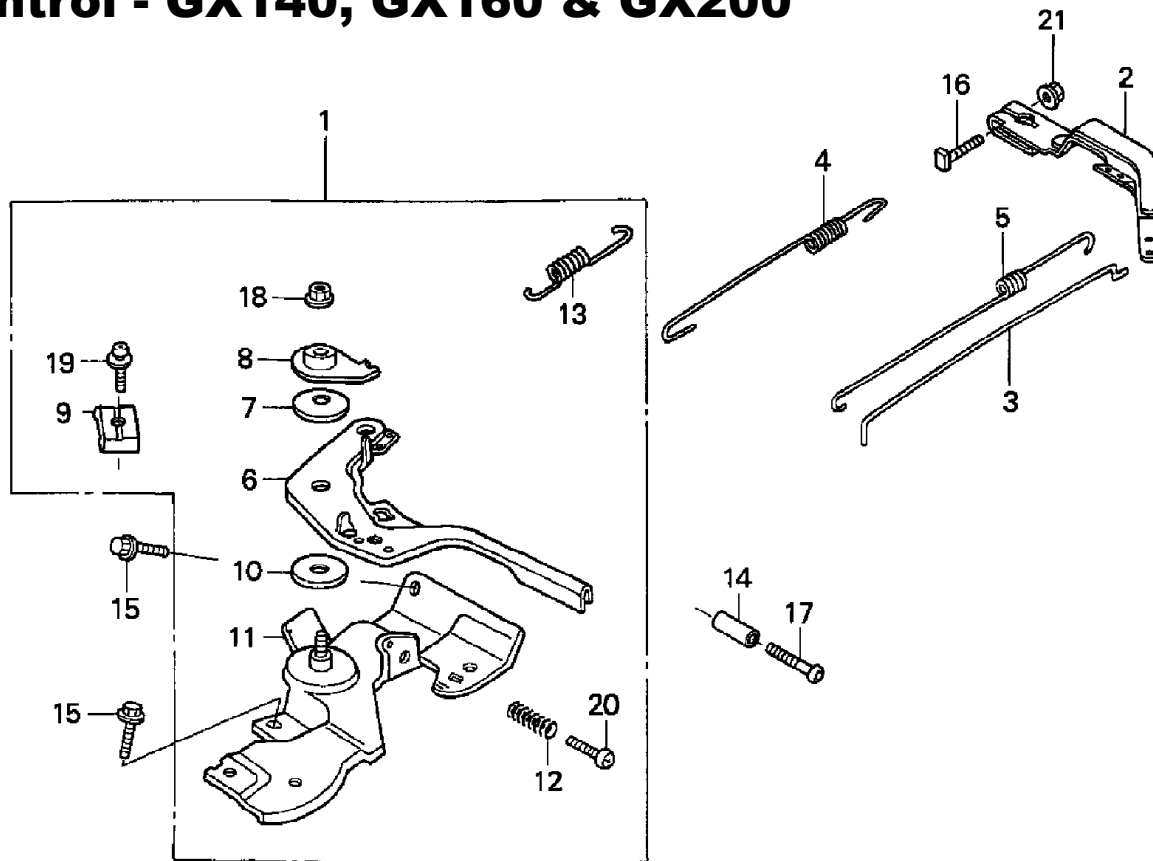
1:2 Reduction - GX140, GX160 & GX200



1:2 Reduction - GX140, GX160 & GX200

Ref #	FPX #	Honda #	Qty	Description	Price
01	06359120	21510-883-621	1	21510-883-621 Case, Reduction	\$128.61
02	36838100	21591-ZH8-620	1	21591-ZH8-620 Packing, Reduction Case (GX160)	\$7.58
03	03970000	21610-822-611	1	21610-822-611 Cover, Reduction	\$202.31
04a	36838360	21691-ZH8-800	1	21691-ZH8-800 Gasket, Reduction Cover (GX160/200)	\$9.95
04b	43665550	21691-822-306	1	21691-822-306 Packing, Reduction Cover (GX140)	\$8.97
05	06359380	22121-883-620	1	22121-883-620 Center, Clutch (GX160 & GX200)	\$64.63
06	43699550	22201-822-306	2	22201-822-306 Disk, Clutch Friction	\$28.96
07	03970340	22311-822-610	2	22311-822-610 Plate, Clutch 1.6mm	\$16.55
08	03970420	22350-822-610	1	22350-822-610 Plate Comp., Clutch Pressure	\$22.47
09	03970590	22411-822-611	4	22411-822-611 Spring, Clutch Free	\$3.04
10	03970670	22421-822-610	4	22421-822-610 Holder, Clutch Spring	\$1.41
11	03970750	22521-822-610	48	22521-822-610 Weight, Clutch	\$3.19
12	06359530	22531-883-620	1	22531-883-620 Holder, Clutch Weight	\$42.61
13	03970910	22535-822-610	1	22535-822-610 Weight, Center Clutch	\$2.01
14	06359610	23120-883-620	1	23120-883-620 Sprocket Comp., Drive (GX160 & GX200)	\$101.61
15	41955660	23161-822-611	1	23161-822-611 Chain, Drive (RK428SH-36LE)	\$48.34
16	03971250	03971250	1	23711-822-610 Shaft Comp., P.T.O. (28T)	\$148.58
17	06359870	25651-883-621	1	25651-883-621 Gauge, Oil Level	\$10.71
19	06360840	90403-883-620	1	90403-883-620 Washer, Thrust 20mm	\$14.20
20	06360920	90741-883-621	1	90741-883-621 Key, 5mm	\$5.48
21	10640390	90741-889-810	1	90741-889-810 Key, 7x7x33	\$7.20
22a	8566788	91202-805-610	1	91202-Z2F-801 Oil Seal (30X50X7) Serial Start:1121567	\$11.30
22b	10006		1	Seal, GX Output Sft High Heat Viton (Replmt for 00651360)	\$8.65
23	00651850	91301-805-000	1	91301-805-000 O-Ring 26x2.7	\$3.84
24	43133590	92101-08035-0A	1	92101-08035-0A Bolt, Hex 8x35	\$0.90
25	00539750	92800-12000	1	92800-12000 Bolt, Drain Plug 12mm	\$2.32
25a	1-61-0039		1	NLA/Drain Plug Bolt Magnetic 12mm	\$16.31
26	01718680	94109-12000	1	94109-12000 Washer, Drain Plug 12mm	\$0.65
27	00589820	94111-08000	1	94111-08000 Washer, Spring 8mm	\$0.64
28a	00817110	94301-08100	2	94301-08100 Pin, Dowel, 8x10	\$1.37
28b	04980550	90702-881-000	2	90702-881-000 Pin, Dowel 8x10 (GX140)	\$2.28
29	25338340	95701-06055-00	9	95701-06055-00 Bolt, Flange 6x55	\$1.76
30	26526260	95701-08022-00	5	95701-08022-00 Bolt, Flange 8x22	\$1.36
31	03680760	96100-62050-10	1	96100-62050-10 Bearing, Radial Ball (6205) (GX140)	\$19.59
32	06361180	96100-62060-00	1	96100-62060-00 Bearing, Radial Ball (6206)(GX240)	\$24.74
33	7556608	25620-805-611	1	25620-805-612 Cap, Reduction Oil	\$6.34

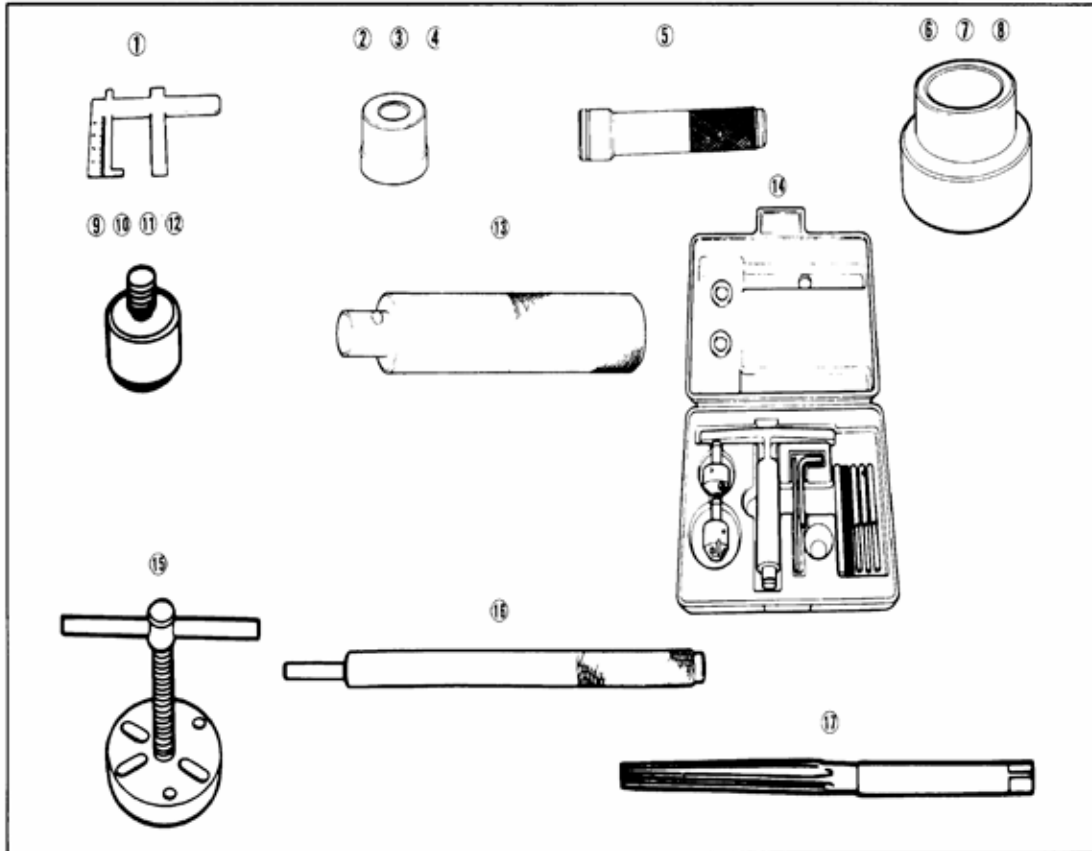
Control - GX140, GX160 & GX200



ZK

Ref #	FPX #	Honda #	Qty	Description	Price
01	61477550	16500-zh8-823	1	16500-ZH8-823 Control Assy.	\$32.91
02a	47430840	16551-ZL0-000	1	16551-ZL0-000 Arm, Governor	\$13.66
02b	19506090	16551-ZE0-010	1	16551-ZE0-010 Arm, Governor	\$11.83
03	14273190	16555-ZE1-000	1	16555-ZE1-000 Rod, Governor	\$3.53
04a	47430920	16561-ZL0-000	1	16561-ZL0-000 Spring, Governor (GX200)	\$4.42
04b	19506170	16561-ZE1-020	2	16561-ZE1-020 Spring, Governor	\$4.10
05	19506250	16562-ZE1-020	1	16562-ZE1-020 Spring, Throttle Return	\$2.94
06	6145338	16571-ZH8-020	1	16571-ZH8-020 Lever, Control(GX160/200)	\$10.18
**	36835960MOD		1	Lever, Custom GX160 & GX200 Throttle	\$14.59
07	14273840	16574-ZE1-000	1	16574-ZE1-000 Spring, Lever	\$3.04
08	36836040	16575-ZH8-000	1	16575-ZH8-000 Washer, Control Lever	\$3.86
09	08004660	16576-891-000	1	16576-891-000 Holder, Cable	\$3.56
10	14274000	16578-ZE1-000	1	16578-ZE1-000 Spacer, Control Lever	\$4.07
11a	61453460	16580-ZH8-813	1	16580-ZH8-813 Base Complete, Control	\$16.02
11b	6356760	16580-ZH8-010	1	16580-ZH8-030 Base Complete, Control	\$16.36
12	06364310	16584-883-300	1	16584-883-300 Spring, Control Adjusting	\$3.77
13	14457740	16592-ZE1-810	1	16592-ZE1-810 Spring, Cable Return	\$1.67
15	06368450	90013-883-000	2	90013-883-000 Bolt, Flange 6x12	\$1.58
16	24186710	90015-ZE5-010	1	90015-ZE5-010 Bolt, Governor Arm	\$2.41
18	14101820	90114-SA0-000	1	90114-SA0-000 Nut, Self Locking 6mm	\$3.43
19a	01455570	93500-05016-0A	1	93500-05016-0A Screw, Pan 5x16	\$0.61
19b	08215120	93893-05016-00	1	93893-05016-00 Screw-Washer, 5x16	\$0.82
20a	03747020	93500-05025-0H	1	93500-05025-0H Screw, Pan (5x25)	\$0.53
20b	03313890	93500-05020-0H	1	93500-05020-0H Screw Pan, 5x20	\$0.53
21	04716230	94050-06000	1	94050-06000 Nut, Flange 6mm	\$0.90

Special Tools



Ref #	FPX #	Honda #	Qty	Description	Price
01	02389231	07401-0010000		07401-0010000 Float Level Gauge	\$43.21
02	09598170	07746-0010300		NLA 07746-0010300 Attachment, 42x47mm	\$22.08
03	07534830	07746-0010400		NLA 07746-0010400 Attachment, 52X55	\$19.98
04	09598250	07746-0010500		07746-0010500 Attachment, 62x68mm	\$28.28
05	07534590	07746-0030100		07746-0030100 Driver, Handle 40mm	\$68.20
06	09598580	07746-0030200		07746-0030200 Attachment, 25mm I.D.	\$24.81
07	08131130	07746-0030300		07746-0030300 Attachment, 30mm I.D.	\$31.09
08	12528080	07746-0030400		07746-0030400 Attachment, 35mm ID	\$25.27
09	12528161	07746-0040500		07746-0040500 Pilot, 20mm	\$9.29
10	09599081	07746-0040100		07746-0041000 Pilot, 22mm	\$10.91
11	09599160	07746-0040600		07746-0040600 Pilot, 25mm	\$11.45
12	10212520	07746-0040700		07746-0040700 Pilot, 30mm	\$14.85
13	09332421	07749-0010000		07749-0010000 Driver	\$33.69
14a	28323351	07780-P01040A		07780-P01040A Cutter, Valve Seat #115	\$133.91
14b	28323431	07781-P03050A		07780-P01050A Cutter, Valve Seat #111	\$170.87
	28324421	07781-P03030A		07781-P03030A Solid Pilot Bar 5.55	\$47.47
	28324831	07782-P01020A		07782-P01020A T-Wrench Adapter #503-1	\$19.38
	28324911	07942-8920000		07782-P01030A Accessory Package #246	\$13.26
16	13578211	07942-8920000		07942-8920000 Driver, Valve Guide	\$15.29
17	36999150	07984-2000000		07984-200000D Valve Guide Reamer 5.5	\$66.97



FPX Exclusive Heavy Duty Go-Kart Clutch Plates!

Do your go-karts seem to have a lack of acceleration? Are your original clutches getting worn out? Then don't hesitate, order your replace clutch parts today and get those go-karts up to speed and functioning properly.

You've got two choices of clutches to choose from for your Honda® powered go-karts. The original OEM clutch or the FPX Heavy Duty replacement clutch. Save \$\$\$ with our FPX clutch and get the same or better performance!

Advantages of new FPX clutch plates

1. NEW Steel "slip style" plate now is identical to Honda® which will extends the life of your clutch.
2. Fits all Honda® Engines with 2 to 1 clutches.
3. Same thickness just more clutch plate material on friction plate & pressure plate.
4. Exclusive to Fun Parts Xpress.
5. Cost 53% to 55% less than OEM MSRP.



GX240 to 270 Rebuild Kit **GX160 & 200 Rebuild Kit**

1-00-K0001

\$90.64

1-00-K0002

\$86.02

FPX CLUTCH PLATES
Pressure Plate—Fiber Plate—Steel Plate

FPX #	Description	Price
FPX Exclusive Clutch Plates		
43699550HD	Plate, Clutch Friction Disc HD	\$13.55
03970340HD	Plate, Clutch Metal HD 1.5mm Smooth Typ	\$8.10
03970420HD	Plate, Clutch Pressure HD	\$9.45
Factory OEM Clutch Plates		
43699550	22201-822-306 Disk, Clutch Friction	\$28.96
03970340	22311-822-610 Plate, Clutch 1.6mm	\$16.55
03970420	22350-822-610 Plate Comp., Clutch Pressure	\$22.47

NO OUCH!
BUY FPX AND SAVE \$\$\$

OUCH!

K&N AIR FILTERS

Fits Honda®

GX140, GX160, GX200, GX240, GX270

K&N vs STOCK			
5 Year Cost Comparison			
NO. KARTS	K&N	STOCK	SAVINGS
10	\$630	\$1575	\$945
20	\$1260	\$3150	\$1890
30	\$1890	\$4725	\$2835
40	\$2520	\$6300	\$3780



- 1. UNRESTRICTED AIR FLOW.** Dust and dirt remain on outside surface of filter allowing air to pass freely through cotton fabric.
- 2. UNAFFECTED BY MOISTURE.** Moisture will not clog oil-saturated element.
- 3. ECONOMICAL.** J&J K&N® air filters are designed for permanent installation with normal use. When extremely heavy dirt deposits have built up, J&J K&N® filters can be cleaned and reused again and again. Over the lifetime of the go-kart, this filter will pay for itself numerous times by eliminating replacement cost.
- 4. QUALITY ENGINEERED.** J&J K&N® filters are manufactured under rigid quality control from the highest degree of durable materials.
- 5. WARRANTY.** J&J K&N® filters are warranted against defective materials or workmanship for one year unlimited mileage. Under most conditions J&J K&N® air filters never need to be replaced. With proper cleaning and care, filters will last the life of your engine.

FPX #	Description	Price
FPX K&N Filters		
SP-2747	Filter, Air GX160, 200 K&N	\$39.98
SP-2748	Filter, Air GX240, 270 K&N	\$39.98
K&N Filter Re-charger Kits		
99-0621C	Filter, K&N Cleaner 32oz Squirt Bottle	\$14.65
99-0516C	Filter, K&N Filtercharger Oil 12oz Aerosol	\$10.44
99-5000C	Filter, K&N Oil/Cleaner Kit	\$15.73

OIL EXTRACTION & DISPENSING

Save time & money!

Go-Karts biggest expense: TIRES, ENGINES & CLUTCHES.

Number one reason engines and clutches fail.

The lack of consistent oil changes.

Oil should be changed every 50 to 100 hours (Commercial/Go-Kart) use. In some FEC's that's twice a week.

Do a complete oil change in less than a minute. No need to remove kart body or dipsticks. Change oil in 30 karts in 1 hour. Ask your mechanic how long it takes now. Works on any kart.



The air operated oil dispenser makes oil changes fast and clean. This dispenser comes with a 6.3 gallon tank and digital quart calibration valve meter with flex spout. Dispense 1/100 or 0.01 of a quart of oil. Flow can be set at 1-26 quarts per minute with a typical accuracy of +/- 1.0% and repeatability of +/- 0.3%. Batteries are replaceable and retain calibration information in case of power loss.

FPX #	Description	Price
FPX K&N Filters		
011060	Oil Extractor, 6.3 Gal (W/Probes) Air	\$647.89
1-60-0130	Oil Extractor, FPX 20L (5.2 gal) 6mm & 8mm Probes Gear Pump	\$555.39
011050	Oil Dispenser, 6.3 Gal (W/Meter) Air	\$576.30
1-60-A0082-R	Oil Drain Kit, Engine & Clutch (160, 200)	\$43.13
1-60-A0083-R	Oil Drain Kit, Engine & Clutch (240, 270)	\$53.00
Call	Oil Drain Kit, Extractor/ Dispenser adaptors	\$ 30.00 each



FAX ANYTIME - DAY or NIGHT

Toll FREE (USA) 1-800-366-7505

International 1-503-304-1899

Photocopy this form.

If you wish to confirm receipt call:

Phone: 1-503-304-8899 or 1-800-854-3140

TO ENSURE PROPER HANDLING, ALL SECTIONS

MUST BE COMPLETED

Date: 9-16-96 Time: 9:00pm

Bill to: Family Fun USA
123 Fun Street
Fun Town, USA 55512

Ship to: Family Fun ~~USA~~
123 Fun Street ~~USA 55512~~
Fun Town, ~~USA 55512~~

Customer Account Number: 01234A Phone Number: (999) 621-1212 EXT.

PO # or

Must Have

Contact

(VERY IMPORTANT)

Must Have

SHIP VIA UPS (Please X One)

- GROUND 5 TO 7 DAYS
- TWO DAY
- THREE DAY
- NEXT DAY
- NEXT DAY SATURDAY
- INTERNATIONAL

QTY.	PART #	DESCRIPTION
5	20262500	Fan, Cooling
2	30789350	Pulley Comp. Starter
20	00979	Decal No Bumping
1		GX240 Shop Manual
10	SP-2747	Filter, GX160 J&J K&N Air Filter

**Correct.
Print
Clearly**

**Incorrect.
Always Print Clearly**

Must Have Part Number

Special Instructions: Please call if you can't ship order in full.
Thanks, Joe



FAX ANYTIME - DAY or NIGHT
Toll FREE (USA) 1-800-366-7505
International 1-503-304-1899

Photocopy this form.
 If you wish to confirm receipt call or e-mail:
 Phone: 1-503-304-8899 or 1-800-854-3140
 Parts@FunPartsXpress.com

http://www.funpartsxpress.com
http://www.jjamusements.com

Date: _____ Time: _____ Customer #: _____ (Required for all orders)

E-Mail: _____ @ _____

Bill to: _____

Ship to: _____

Phone Number: () - EXT. FAX: () -

PO# or Contact Name: _____

VISA ___ M/C ___ AMEX ___

Card Number: | | | | | | | | | | | | | | | | | | | | | |

Expires: _____

Print name exactly as it appears on the credit card. _____

Signature _____

SHIP VIA UPS (Please X One)	UPS Ground (3-7 Days)	UPS Red (1 Day)
	UPS Orange (3 Days)	UPS Red Saturday (Selected areas only)
	UPS Blue (2 Days)	INTERNATIONAL

	PART #	QTY	DESCRIPTION	PRICE
1				
2				
3				
4				
5				
6				
7				
8				
9				
10				
11				

Special Instructions: _____



Amusements, Inc.

FAX ANYTIME - DAY or NIGHT

Toll FREE (USA) 1-800-366-7505

International 1-503-304-1899

Photocopy this form.

If you wish to confirm receipt call or e-mail:

Phone: 1-503-304-8899 or 1-800-854-3140

Parts@FunPartsXpress.com

<http://www.funpartsexpress.com>

<http://www.jjamusements.com>

Page 2

Company Name: _____ Customer Number: _____

	PART #	QTY	DESCRIPTION	PRICE
12				
13				
14				
15				
16				
17				
18				
19				
20				
21				
22				
23				
24				
25				
26				
27				
28				
29				

DOUBLE CHECK ALL PART NUMBERS AND DESCRIPTIONS BEFORE PLACING ORDER.

All prices are subject to change without prior notice

Parts Guides are available on the Web. Get the latest news & updates:

<http://www.funpartsexpress> OR <http://www.jjamusements.com>

Thank You For Your Order! Your Business is Appreciated.