



FPX BF2A Parts & Price Guide

revision A

Updated Jan 18, 2011

Written by the FPX Technical Team

Kevin Bell, Raym Conkey, Dan Hansen, Leon Wilbanks, Eric Hahl.

Manual Design & Layout

Eric Hahl

Models Covered:

Honda BF2A

Part No. 2-60-0028

FunParts Xpress

4897 Indian School Rd NE
Suite 150
Salem, OR 97305-1126

Toll Free Phone: 1-800-854-3140

Phone: 1-503-304-8899

Toll Free Fax: 1-800-366-7505

Fax: 1-503-304-1899

Also from FunParts Xpress

Visit our website for updated manuals (PDF Format)

www.jjamusements.com and www.funpartsexpress.com

About this guide

This aim of this manual is to help you and your maintenance team keep your BF2A equipped bumperboats in top condition.

This guide contains drawings, illustrations and photographs of parts and accessories for the Honda BF2A engines used in J&J gas powered Bumperboats.

Contents

Safety First	4
General Order and Shipment Policy	8
Ordering Information	10
To Place An Order:	10
Return Policy	10
PARTS	
Cylinder	12
Oil Pan	13
Ignition	14
Piston	15
Fan Cover	16
Starter "A"	17
Starter "B"	18
Air Guide	19
Carburetor	20-21
Fuel Tank	22
Swivel	23
Exhaust	24
Gear Case	25
Fuel Tank	26
Instructions (Strap type fuel tank installation)	27
Custom	28-29
Pivot	30
Special Tools	31
Prop Guard	31
Fax Forms	33-35

Safety First

Proper service and repair procedures are vital to safe, reliable operation of Go-Karts and Bumper Boats as well as personal safety of those performing repairs. Refer to your Service Manual for servicing and repairing information. Always use safe and effective methods. The Service Manual contains many NOTES, CAUTIONS and WARNINGS which should be followed along with standard safety procedures to eliminate the possibility of personal injury or improper service which could be damaging to your equipment or compromise its safety.

It is important to note that repair procedures, techniques, tools and parts for servicing Go-Karts and Bumper Boats as well as the skill and experience of the individual performing work vary widely. It is not possible to anticipate all conceivable ways or conditions under which Go-Karts and Bumper Boats may be serviced or to provide cautions to all possible hazards that may result. Standard precautions should be used when handling toxic or flammable fluids, and safety goggles or other protection should be used during cutting, grinding, chiseling, prying or any other process that can cause material removal or projectiles. J&J recommends use of safety goggles or approved glasses during all servicing.

All information contained in this Parts Guide is based on the latest product information and prices available at time of printing. We reserve the right to make changes at any time without notice. No part of this publication may be reproduced, stored in a retrieval system or transmitted, in any form by any means, electronic, mechanical, photocopying, recording, or otherwise, without the prior written permission of J&J Amusements, Inc. A Corporation of Oregon and FunParts Xpress. This includes text, figures and tables.

BEFORE SERVING

To eliminate unnecessary work, careful reading of the applicable section is recommended before starting to service a bumperboat. Photographs, diagrams, notes, cautions, warnings, and detailed descriptions have been included wherever necessary. Nevertheless, even a detailed account has limitations, a certain amount of basic knowledge is also required for successful work.

Especially note the following:

Dirt

Before removal and disassembly, clean the bumperboat. Any dirt entering the engine or other parts will work as an abrasive and shorten the life. For the same reason, before installing a new part, clean off any dust or metal filings.

Tightening Sequence

Generally, when installing a part with several bolts, nuts or screws, start them all in their holes and tighten them to a snug fit. Then tighten them evenly in a cross pattern. This is to avoid distortion of the part and/or causing gas or oil leakage. Conversely when loosening the bolts, nuts or screws, first loosen all of them by about a quarter of turn and then remove them. Where there is a tightening sequence indication in this Service Manual, the bolts, nuts or screws must be tightened in the order and method indicated.

Torque

When torque values are given in this Service Manual, use them. Either too little or too much torque may lead to serious damage. Use a good quality, reliable torque wrench.

Force

Common sense should dictate how much force is necessary in assembly and disassembly. If a part seems especially difficult to remove or install, stop and examine what may be causing the problem. Whenever tapping is necessary, tap lightly using a wooden or plastic-faced mallet. Use an impact driver for screws (particularly for the removal of screws held by a locking agent) in order to avoid damaging the screw heads. It also may be necessary to apply heat to some parts held with locking compound.

Edges

Watch for sharp edges, especially during major engine disassembly and assembly. Protect your hands with gloves or a piece of thick cloth when lifting the engine or turning it over.

High-Flash Point Solvent

A high- flash point solvent is recommended to reduce fire danger. A commercial solvent commonly available in North America is Stoddard solvent (generic name). Always follow manufacturer and container directions regarding the use of any solvent.

Gasket, O-Ring

Do not reuse a gasket or O-ring once it has been in service. The mating surfaces around the gasket should be free of foreign matter and perfectly smooth to avoid oil or compression leaks.

Liquid Gasket, Non-Permanent Locking Agent

Follow manufacturer's directions for cleaning and preparing surfaces where these compounds will be used. Apply sparingly. Excessive amounts may block engine oil passages and cause serious damage. An example of a non-permanent locking agent commonly available in North America is Loctite® Lock'n Seal (Blue).

Press

A part installed using a press or driver, such as a wheel bearing, should first be coated with oil on its outer or inner circumference so that it will go into place smoothly.

Oil Seal and Grease Seal

Replace any oil or grease seals that were removed with new ones since removal generally damages seals. When pressing in a seal which has manufacturer's marks, press it in with the marks facing out. Seals should be pressed into place using a suitable driver, which contacts evenly with the side of the seal, until the face of the seal is even with the end of the hole. Always use assembly oil or grease on lip (sealing edge) of any seal prior to assembly.

Circlip, Retaining Ring

Replace any circlips and retaining rings that were removed with new ones, as removal weakens and deforms them. When installing circlips and retaining rings, take care to compress or expand them only enough to install them and no more.

Cotter Pin

Replace any cotter pins that were removed with new ones since removal deforms and breaks them.

Lubrication

Engine wear is generally at its maximum while the engine is warming up and before all rubbing surfaces have an adequate lubricative film. During assembly, oil or grease (whichever is more suitable) should be applied to any rubbing surface which has lost its lubricating film. Old grease and dirty oil should be cleaned off. Deteriorated grease has lost its lubricating quality and may contain abrasive foreign particles.

Do not use just any oil or grease. Some oils and greases in particular should be used only in certain applications and may be harmful if used in an application for which they are not intended. This manual makes reference to molybdenum disulfide grease (MoS₂) in the assembly of certain engine and chassis parts. Always check manufacturer recommendations before using such special lubricants.

Replacement Parts

When there is a replacement instruction, replace these parts with new ones every time they are removed. These replacement parts will be damaged or lose their original function once removed.

Inspection

When parts have been disassembled, visually inspect these parts for following conditions or other damage. If there is any doubt as to condition of them, replace them with new ones.

Abrasion	Crack	Hardening	Warp
Bent	Dent	Scratch	Wear
Color change	Deterioration	Seizure	

Specifications

Specification terms are defined as follows:

“Standards”: Show dimensions or performances which brand-new parts or systems have.

“Service Limits”: Indicate the usable limits. If measurement shows excessive wear or deteriorated performance, replace the damaged parts.

General Order and Shipment Policy

J&J Amusements, Inc. appreciates our customers. We will do our best to provide quality parts and service. Your business is important to us so we want you to fully understand our policy guidelines. Remember they are only guidelines: questions, suggestions and even complaints are always welcome.

NEW ACCOUNTS: New accounts are welcome! Open account terms are available to customers upon credit approval. Contact us for a credit application. Please be sure to furnish accurate, complete, year round mailing and shipping addresses and phone numbers. Credit approval takes approximately 2 weeks.

OPEN ACCOUNT TERMS: Customers with approved credit applications are allowed net prices as long as payment is received within 30 days of invoice date. A late fee of 1 1/2% per month will be assessed to the balance on any past due invoice. In addition, if your account is 60 days past due can be placed on CREDIT HOLD UNTIL PAST DUE BALANCE IS RESOLVED.

VISA, MASTERCARD, DISCOVER, AMERICAN EXPRESS: For your convenience we accept VISA, MasterCard and American Express. We never charge your credit card until we ship your order.

BANK WIRE: Please contact us for Bank Wiring instructions. E-mail: Accounting@jjamusements.com

ORDERING: It is important to order all parts by correct part number. This will speed your order and help eliminate errors. You may phone, fax or e-mail your orders.

Phone orders 1-800-854-3140 International orders call 1-503-304-8899

Fax orders 1-800-366-7505 International orders call 1-503-304-1899. To ensure accuracy, fax form in the back of this book must be filled out completely with customer number, bill to, ship to, phone number and shipping (ground, 2nd day, overnight, overnight Saturday, or truck line). Every line item must have the part number, quantity and description clearly printed.

E-Mail Orders: parts@funpartsexpress.com

Use our Online E-Mail Parts Order Form, e-mail directly to FPX: parts@funpartsexpress.com

HOURS: Business hours are 8:00am to 4:30pm Pacific Time Monday thru Friday. Fax and e-mail orders can be received 24 hours a day.

PRICES: Funparts Xpress makes every effort to offer competitive prices and to maintain pricing for the life of the annual catalog. In some cases, price adjustments must be made and Funparts Xpress reserves the right to change pricing without notice.

BACK ORDERS: Back orders are shipped automatically with the same terms as the original order. Back orders will be shipped ASAP unless you elect to batch all back orders for periodic shipment or cancel all back orders. You must notify Funparts Xpress. in writing if you wish to utilize either of the above options.

SHIPPING: We will endeavor to ship all orders same day and do our best to follow your special shipping instructions. We normally ship orders under 150 lbs. by UPS. Larger orders will be shipped by freight lines.

COD SHIPMENT: Large orders shipped COD will be divided into two or more cartons. The total COD amount will be pro-rated by value of each carton's contents. COD orders of \$1,000 or more are shipped cashiers check only. COD charge per box is \$9.00.

REFUSED COD SHIPMENTS: Our FULL restocking fee plus freight both ways, will be charged to your next order if you refuse a COD shipment.

BAD CHECKS: Any account having a returned check (for any reason) will be placed on COD cash only. To avoid legal action, the check must be redeemed by a certified check or bank money order and all returned checks will be charged a \$25.00 fee. If legal action is necessary, the customer will be responsible for all charges incurred in collection.

URGENT PART ORDERS: UPO's should be submitted only when fastest service is required to provide individual customer satisfaction. UPO's are given highest priority handling by J&J Amusements, Inc. This order method should not be used for stocking purposes. All extra shipping and handling charges incurred will be charged to customer.

SHORTAGES: Must be reported at the time the package is opened - NO EXCEPTIONS. All orders are checked for accuracy after picking and are weighed to 1/10th of an ounce to give us three ways of checking.

HIDDEN DAMAGE: Must be reported at the time the package is opened - NO EXCEPTIONS. ALL BOXES AND PACKING MUST BE SAVED to receive credit for damages. We will pay shipping charges.

FREIGHT DAMAGE: If packages delivered by freight carrier arrive in broken or mutilated boxes or if shipments are incomplete, be sure the driver notes on your bill of lading. Claims against freight carriers are made by the recipient, not J&J Amusements, Inc..

RETURNED GOODS POLICY: A Return Merchandise Authorization (RMA#) is required for all returns. NO EXCEPTIONS. The RMA# must be displayed on exterior of return shipping carton. Only items authorized (listed) on RMA# may be returned. Obsolete and discontinued merchandise cannot be returned (current merchandise is that which appears in current annual catalog/price book). A 15% restocking fee will be charged on all returns, except for errors made by J&J Amusements, Inc. Freight will be paid by customer except for shipping errors caused by J&J Amusements, Inc. Returned merchandise must be in good resale condition, in original J&J Amusements, Inc. package (where applicable) and cannot be altered with customer labels, stickers, numbers etc.. Returned goods which do not have an RMA# will be refused.

WARRANTY RETURN POLICY: All warranty item returns must be authorized by the Warranty Department and have an assigned RMA# before any adjustment or credit will be given. The RMA# must appear next to the shipping label on all returned items for proper credit to be issued. All credits issued will be applied fo future purchases

TAXES: Prices in this book do not include your state, local, or other applicable sales taxes or any other taxes that may be required. The purchaser is responsible for all tax associated with purchasing goods and must take all steps required to pay directly all taxes due.

DOUBLE CHECK ALL PART NUMBERS AND DESCRIPTIONS BEFORE PLACING ORDER
Please call or e-mail us at parts@jjamusements.com, Toll Free at 1-800-854-3140 or 1-503-304-8899 for assistance.

E-MAIL: parts@funpartsexpress.com **Internet:** <http://www.funpartsexpress.com>

TOLL FREE PHONE ORDERING: 1-800-854-3140

INTERNATIONAL PHONE ORDERING: 1-503-304-8899

Prices subject to change without notice.

Ordering Information

To Place An Order:

J&J & FPX makes it easy to place your order anytime. Order online, send us a fax, e-mail or give us a call. All orders receive immediate attention and ship straight to your facility.

The preferred method of ordering is at our Online Store <http://www.funpartsxpress.com>. If you fax your order, it's very important to order all parts by correct part number. This will speed your order and help eliminate errors. You may phone your order using our toll free number, 1-800-854-3140 or fax your order to 1-800-366-7505. For customers outside the US, call 503-304-8899 or fax 503-304-1899. E-Mail, our address is parts@funpartsxpress.com

****NOTE ON FAX ORDERS:** Fax forms in the back of this book must be filled out completely with customer number, bill to, ship to, phone number and shipping (ground, 2nd day, overnight, overnight Saturday). Every line item must have the part number, quantity and description. See next page for an order form example.

Office Hours

Our offices are open to receive phone orders:

Pacific	8:00am to 4:30pm
Mountain	9:00am to 5:30pm
Central	10:00am to 6:30pm
Eastern	11:00am to 7:30pm
Greenwich	4:00pm to 12:30am
Geneva	5:00pm to 1:30am
Buenos Aires	1:00pm to 9:30pm
Tokyo	1:00am to 9:30am
Sydney	2:00am to 10:30am

Return Policy

- ABSOLUTELY NO RETURNS PERMITTED AFTER 30 DAYS.
- RMA NUMBER REQUIRED FOR ALL RETURNS, ALL ITEMS RECEIVED WITHOUT RMA NUMBER DISPLAYED ON OUTSIDE OF PACKAGE WILL BE REFUSED.
- NO RETURNS WITHOUT PRIOR AUTHORIZATION

Ordering Procedures:

Follow these simple guidelines, whether you order Online, Call, Fax or E-mail.

When you Order Online:

Go to <http://www.funpartsxpress.com>
Use your customer number
Fill out all information correctly
Note shipping method desired

When you call, please have:

1. Your customer number
 2. Item number and description
- Current Parts Manual for quick reference

When you fax:

1. List customer number, phone number, and proper bill to and shipping address.
2. List quantity, item number and description clearly
3. Note shipping method desired

When you e-mail:

1. List customer number and proper bill to and shipping address.
2. List quantity, item number and descriptions clearly
3. Note shipping method desired
4. List return e-mail address and phone number

Orders will ship UPS Regular if not stated otherwise.

Note:

The following page depicts the Fax Order Form found in the back of this book. It is important that you include all the information as show on this diagram to ensure properprocerssing of your order in a timely manner.

Fax Order Form



Photocopy this order form.
 If you wish to confirm receipt call or e-mail:
 Phone: 1-503-304-8899 or 1-800-854-3140
 E-mail: parts@funpartspress.com

FAX ANYTIME Day or Night
 Toll Free 1-800-854-3140
 International 1-503-304-8899

For the latest information visit www.funpartspress.com and www.juniorfunparts.com

Date: 10-16-06 Time: 9:18 AM PM Customer # my customer # (Required for all orders)
 E-mail: John @ johnsfuncenter.com

Bill to: Family Fun USA Family Fun USA
123 Fun Street 123 Fun Street
Funtown, USA 55512 Funtown, USA 55512

Phone # (123) 123-1234 Ext. _____ Fax # (123) 123-1234
 PO# or Contact Name: John Sample

Visa M/C _____ Disc _____

Card Number: 1 2 3 4 5 6 7 8 9 1 2 3 4 5 6 7 Expires: 11-23-08

Name on card: John @ Sample Signature: Sign here
(Print name on the credit card)

Ship via UPS (please check one)
 UPS Next Business Day (1-7 days)
 UPS 2nd Day Air (2 days)
 UPS 3rd Day Air (3 days)
 UPS 4th Day Air (4 days)
 UPS Blue (2 days)
 UPS Red (1 Day)
 UPS Red Saturday (Select areas only)
 INTERNATIONAL

#	Qty	Description	Price
1	<u>1</u>	<u>Ring set, Piston, GX240</u>	<u>\$24.38</u>
2	<u>5</u>	<u>Plug, Spark</u>	<u>\$3.82 each</u>
3			
4			
5			
6			
7			
8			

Please be sure to fill in all the required information on this form in a clear manner. (please print neatly)

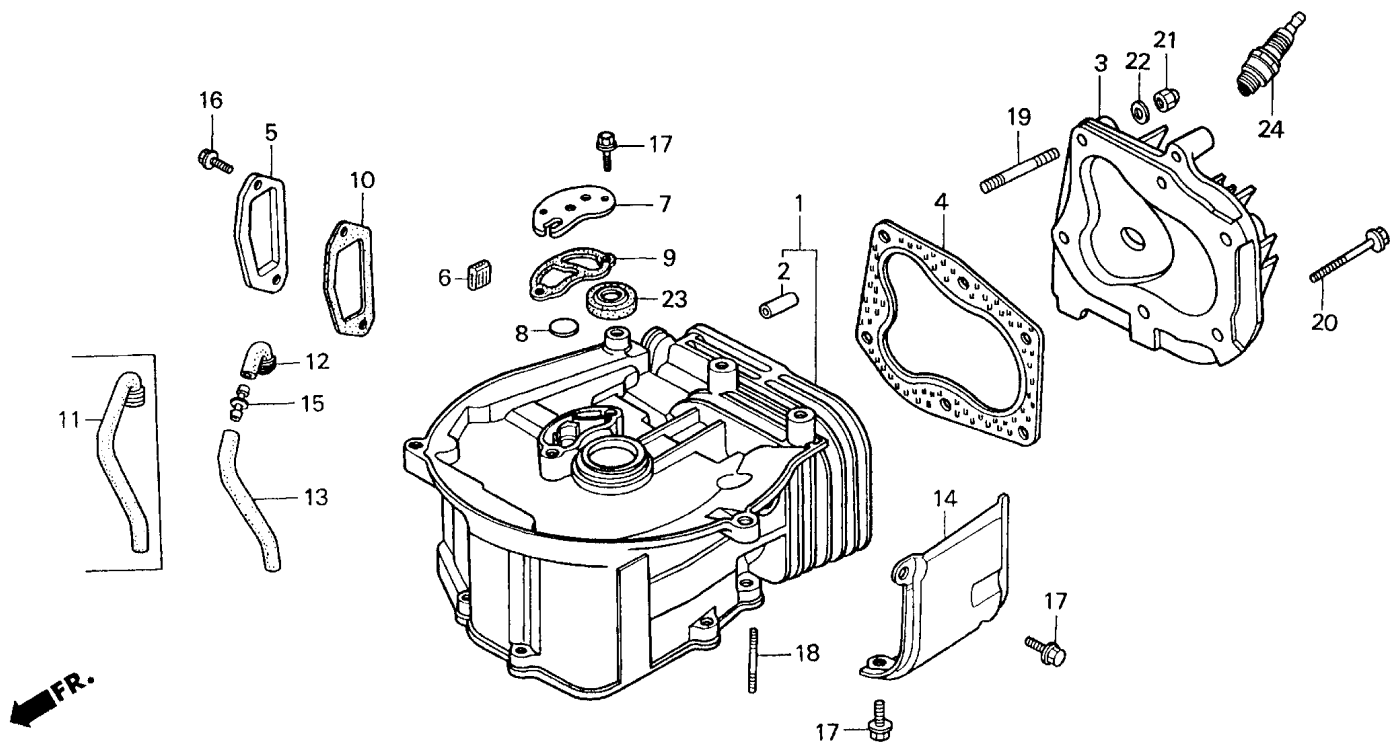
Make sure all credit card information is accurate.

Make sure you select the type of shipping otherwise the default shipping is UPS Ground.

You are responsible for all content and accuracy. Please note: Your order may not be processed if you have left out any required information.

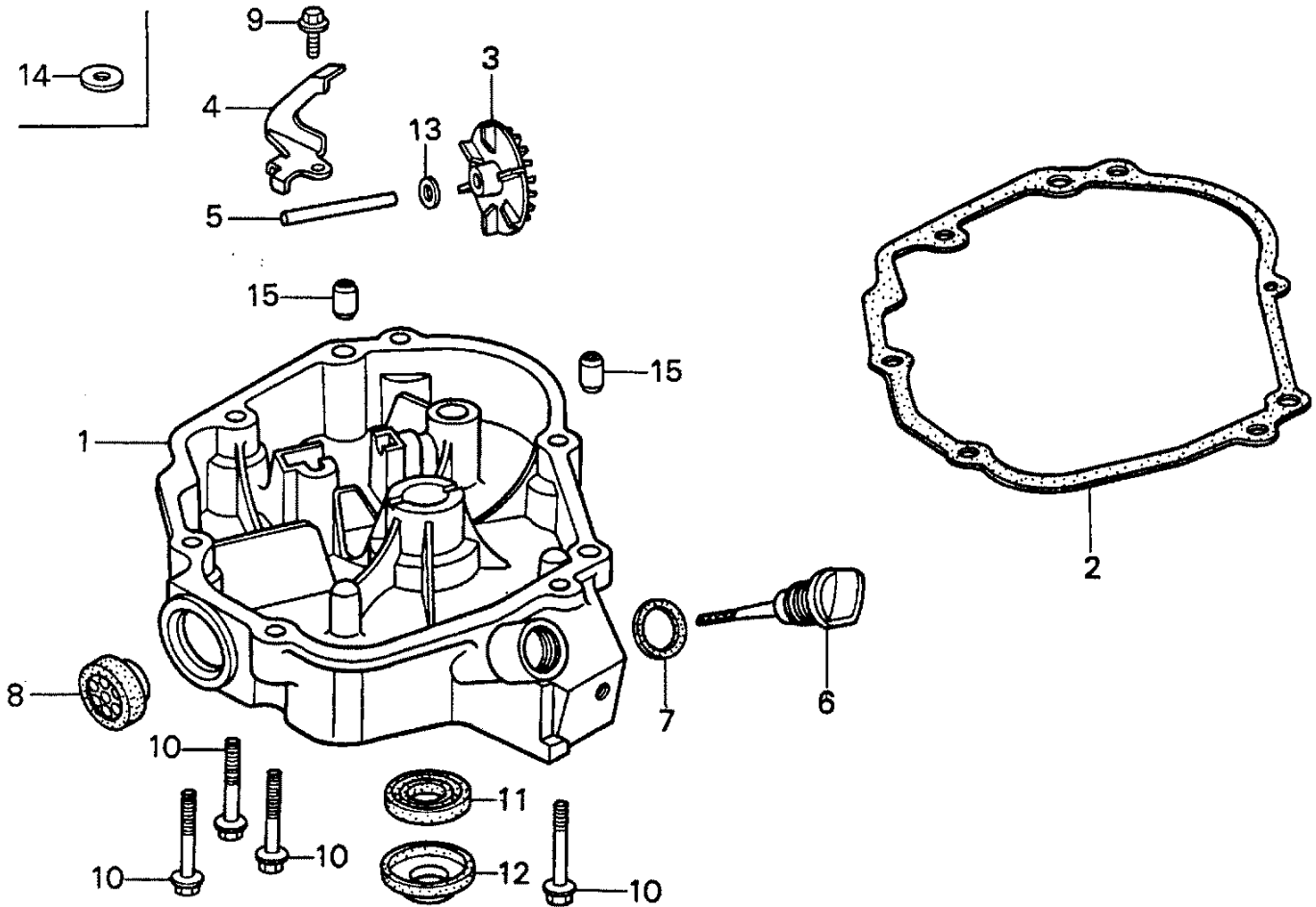
Special instructions: Please call if you can't ship the order in full.
Thanks, John

Cylinder - BF2A



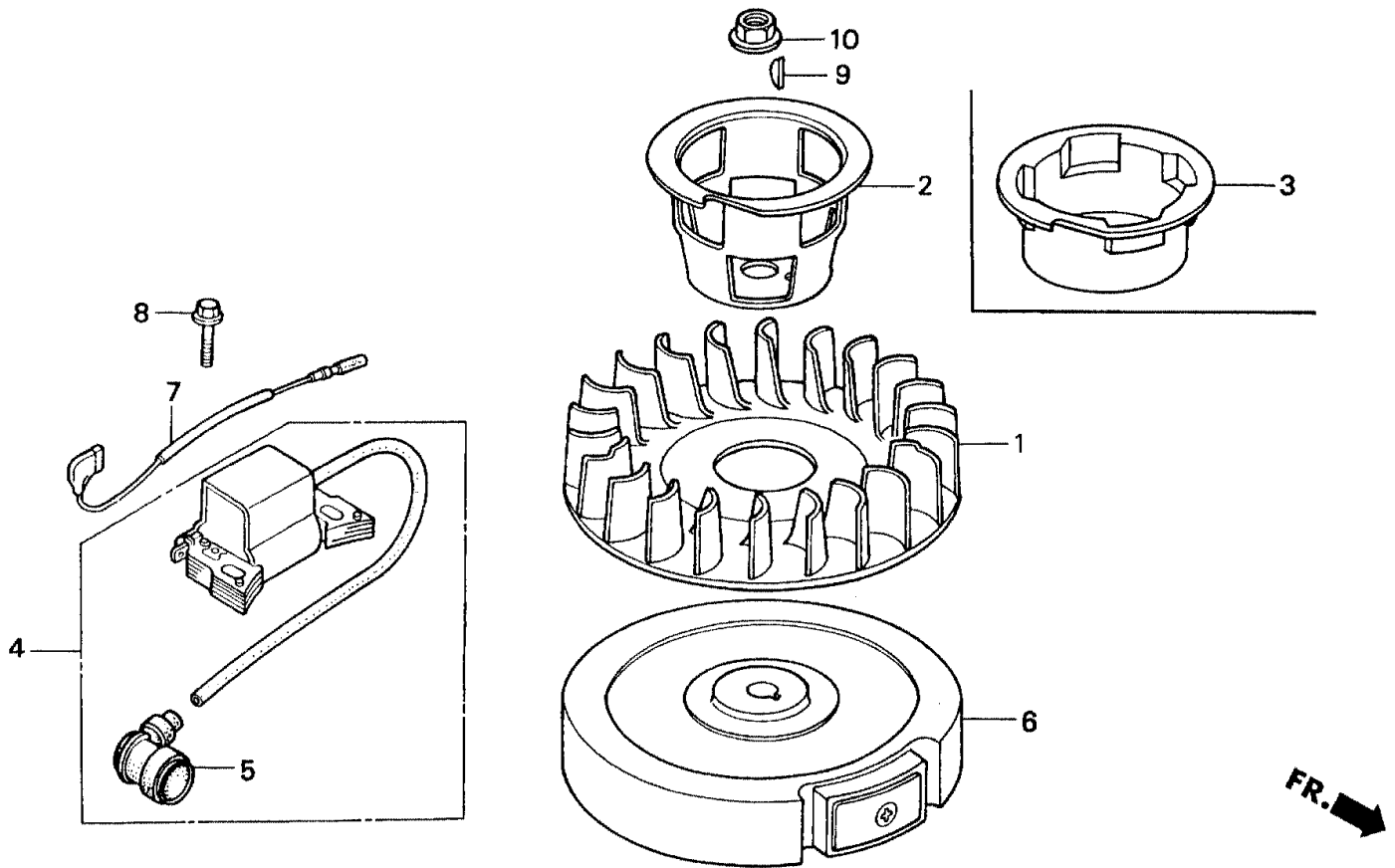
Ref #	FPX #	Honda #	Qty	Description	Price
01	46462041	12100-ZV0-840	1	12100-ZV0-840 Cylinder Comp.	\$229.06
02	21330561	12133-ZV0-305	2	12133-ZV0-305 Guide, Intake Valve	\$8.74
03	18142011	12211-ZV0-000	1	12211-ZV0-000 Head, Cylinder	\$40.83
04	18142191	12281-ZV0-000	1	12281-ZV0-000 Gasket, Cylinder Head	\$7.79
05	18142271	12361-ZV0-000	1	12361-ZV0-000 Cover, Tappet	\$8.52
06	29603001	12367-ZG1-013	1	12367-ZG1-013 Filter, Breather	\$2.70
07	57740051	12370-ZV0-020	1	12370-ZV0-020 Cap Complete, Breather	\$5.98
08	04521511	12372-879-000	1	12372-879-000 Valve, Breather	\$1.67
09	18142501	12373-ZV0-000	1	12373-ZV0-000 Packing, Breather Cap	\$1.60
10	18142681	12375-ZG1-000	1	12375-ZG1-000 Gasket, Tappet Cover	\$1.95
11	18143421	15721-ZV0-000	1	DIS/See Notes 15721-ZV0-000 Tube, Breather	\$9.84
12	21330801	15722-ZV0-000	1	15722-ZV0-000 Tube A, Breather	\$1.93
13	21330981	15723-ZV0-000	1	15723-ZV0-000 Tube B, Breather	\$3.77
14	21331301	19631-ZV0-000	1	19631-ZV0-000 Shroud	\$10.14
15	10827671	55102-166-000	1	55102-166-000 Joint, Oil Tube	\$4.45
16	18163391	90002-ZV0-000	2	90002-ZV0-000 Bolt, Flange 5x10	\$1.26
17	18163541	90013-ZV0-000	4	90013-ZV0-000 Bolt, Flange 6x12	\$1.67
18	18163881	90063-ZV0-000	2	90063-ZV0-000 Bolt, Stud 6x24	\$2.58
19	21333381	90065-ZV0-010	2	90065-ZV0-010 Bolt, Stud 6x46	\$2.09
20	21334291	95818-06035-02	6	95818-06035-02 Bolt, Flange 6x35	\$0.88
21	18164531	90202-ZV0-000	2	90202-ZV0-000 Nut, Cap 6mm	\$2.54
22	02851631	90512-921-010	2	90512-921-010 Washer, 6mm	\$0.97
23	08661451	91202-892-004	1	91202-892-004 Oil Seal, 17x30x6 (Flywheel)	\$9.27
24	09407591	98073-54744	1	Spark Plug, (BMR4A) 98073-54744	\$3.26

Oil Pan - BF2A



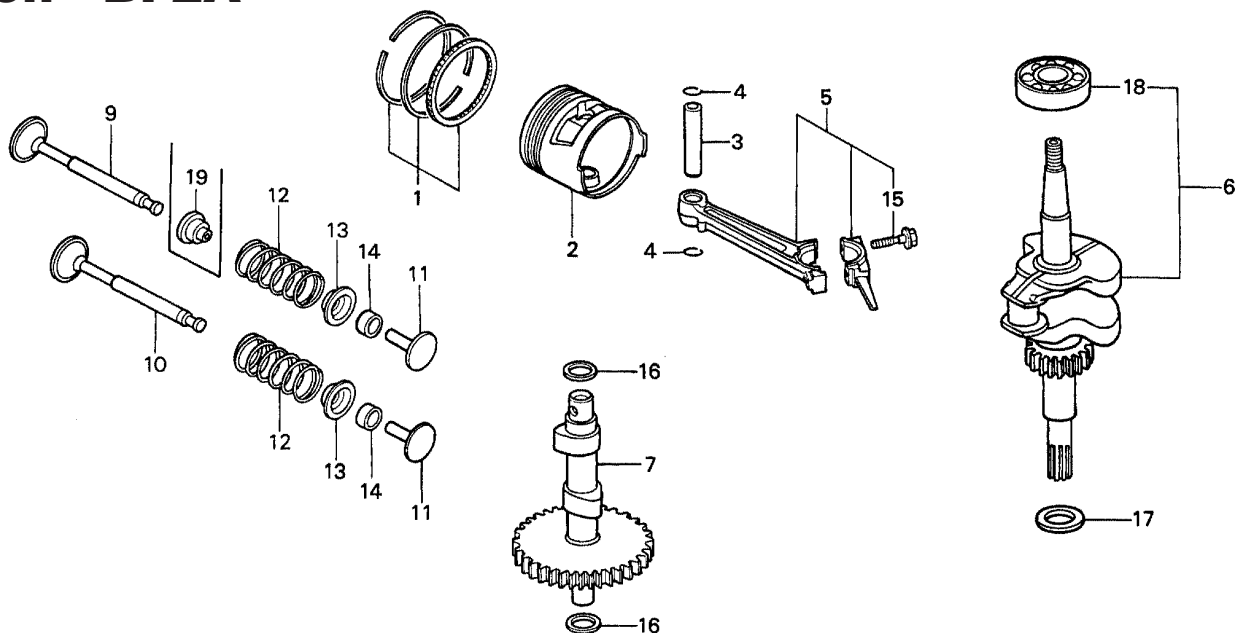
Ref #	FPX #	Honda #	Qty	Description	Price
01	18141511	113A0-ZV0-000	1	113A0-ZV0-000 Oil Pan Cover, Crankcase	\$131.71
02	44998361	11381-ZV0-850	1	11381-ZV0-850 Gasket, Case Cover	\$7.14
03	22439541	15331-ZV0-010	1	15331-ZV0-010 Slinger, Oil	\$6.62
04	24673551	15332-ZV0-000	1	15332-ZV0-000 Guide, Oil	\$8.79
05	09327311	05332-896-700	1	15332-896-700 Shaft, Oil Slinger	\$2.97
06	51642071	15620-ZG0-003	1	15620-ZG0-003 Cap, Oil Filler	\$6.13
07	44979470	15625-ZG0-000	1	15625-ZE1-003 Gasket, Oil Filler Cap (GX140)	\$3.30
08	18143341	15661-ZV0-003	1	15661-ZV0-003 Finder, Oil Level	\$8.99
09	14206111	90005-896-000	1	90005-896-000 Bolt, Flange 5x16	\$1.06
10	18163621	90015-ZV0-000	6	90015-ZV0-000 Bolt, Flange 6x28 (BF2 T.O.)	\$0.21
11	09330101	91201-896-701	1	91201-896-701 Seal, Oil 20x34x6 (P.T.O.)	\$9.09
12	18166101	91203-ZV0-003	1	91203-ZV0-003 Seal, Water 17x36x5	\$10.62
13	03459001	94101-06800	1	94101-06800 Washer, Plain, 6MM	\$0.35
14	00590631	94101-05200	1	94101-05200 Washer, Plain 5mm	\$0.64
15	00693101	94301-08140	2	94301-08140 Pin, Dowel 8x14	\$1.38

Ignition - BF2A



Ref #	FPX #	Honda #	Qty	Description	Price
01	17953681	19511-ZG0-000	1	19511-ZG0-000 Fan, Cooling	\$15.78
02	18151661	28451-ZV0-003	1	28451-ZV0-003 Pulley, Starter	\$18.65
03	35942311	30500-ZV0-023	1	30500-ZV0-023 Coil Assembly, Ignition	\$98.22
04	37196141	30700-896-702	1	30700-896-702 Cap Assembly, Noise Suppressor	\$11.77
05	53558961	31100-ZV0-010	1	31100-ZV0-020 Flywheel, Comp.	\$80.62
06	37511201	36101-ZV0-A00	1	36101-ZV0-A00 Cord, Stop Switch (200mm)	\$7.14
07	7207517	90121-ZV0-000	2	90121-ZV0-010 Bolt, Flange 6x25	\$2.08
08	00708961	90741-035000	1	90741-035000 Key, Flywheel	\$3.34
09	18166771	94050-12020	1	94050-12020 Nut, Flange 12mm	\$1.16

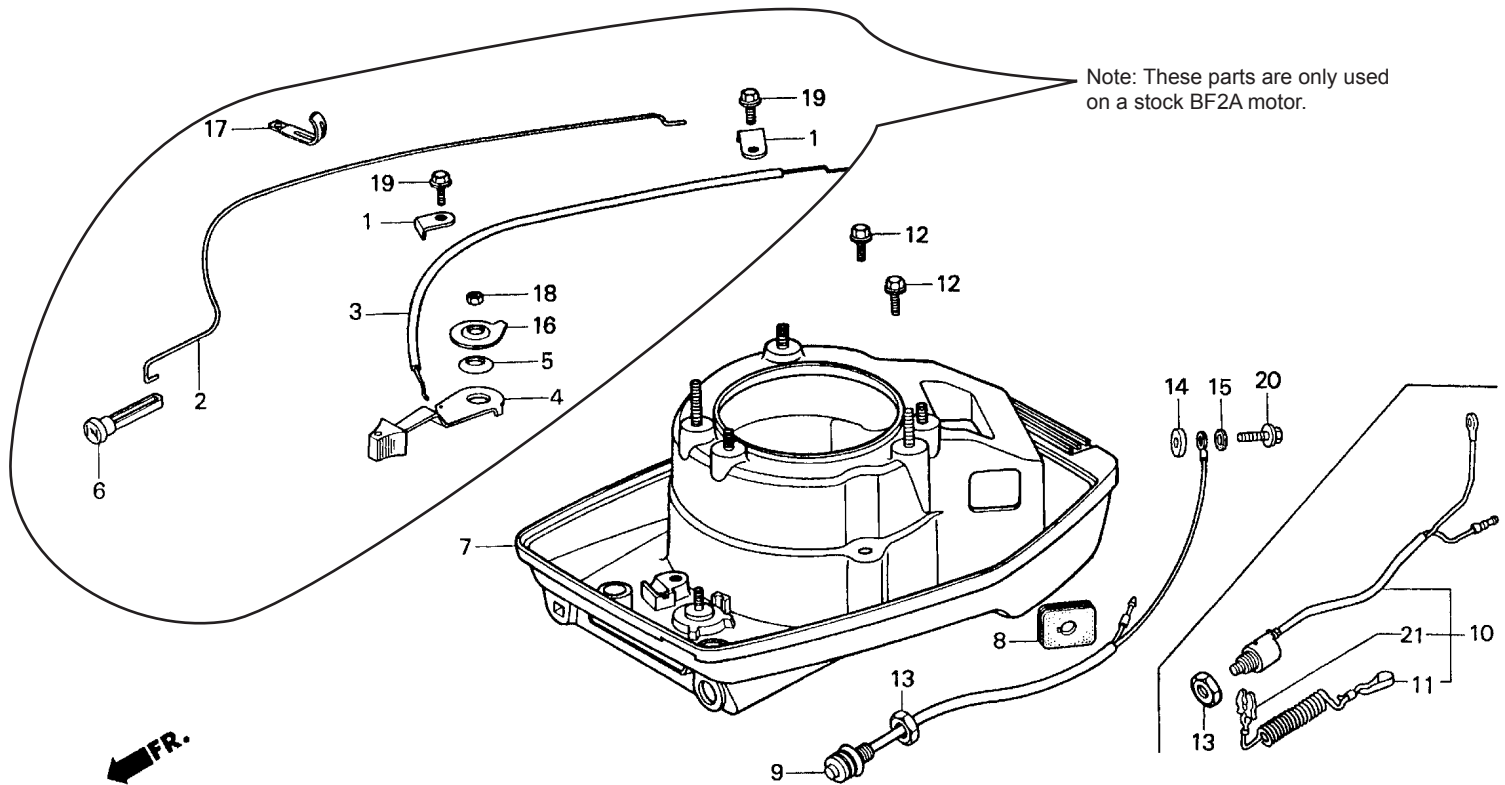
Piston - BF2A



Ref #	FPX #	Honda #	Qty	Description	Price
01	11045951	130A1-896-003	1	130A1-896-003 Ring Set, Piston (STD)	\$26.65
	11046031	130B1-896-003	1	130B1-896-003 Ring Set, Piston (0.25)	\$29.05
	11046111	130C1-896-003	1	130C1-896-003 Ring Set, Piston (0.50)	\$29.05
	14102811	130D1-896-003	1	130D1-896-004 Ring Set, Piston .075	\$36.52
02	17873811	13101-ZA8-000	1	13101-ZA8-000 Piston	\$25.08
	18192341	13102-ZA8-000	1	13102-ZA8-000 Piston (OS .025)	\$31.30
	18192591	13103-ZA8-000	1	13103-ZA8-000 Piston (0.50)	\$38.97
	18192751	13104-ZA8-000	1	13104-ZA8-000 Piston (0.75)	\$26.65
03	08649671	13111-892-000	1	13111-892-000 Pin, Piston	\$5.38
04	04633801	13115-147-000	2	13115-147-000 Clip, Piston Pin 10mm	\$2.19
05	17950121	13200-ZG0-000	1	13200-ZG0-000 Rod Assembly, Connecting	\$54.73
	17961271	13200-ZG0-305	1	13200-ZG0-305 Rod Assembly, Con. (Undersize)	\$49.06
06	31700811	13310-ZV0-010	1	13310-ZV0-010 Crankshaft, Comp. (Includes Ref#8, and #1	\$149.41
07	18142841	14111-ZV0-000	1	14111-ZV0-000 Camshaft, Comp.	\$63.64
08	17950461	14311-ZG0-300	1	14311-ZG0-000 Gear, Timing	\$23.72
09	18142921	14711-ZV0-000	1	14711-ZV0-000 Valve, Intake	\$17.21
10	18143001	14721-ZV0-000	1	14721-ZV0-000 Valve, Exhaust	\$28.00
11	22712781	14732-ZC0-000	2	14732-ZC0-000 Lifter, Valve	\$12.71
12	09275331	14751-896-000	2	14751-896-000 Spring, Valve	\$2.56
13	17950871	14771-ZG0-000	2	14771-ZG0-000 Retainer, Valve Spring	\$3.12
14	08661601	14801-892-000	2	14801-892-000 Adjuster, Tappet 3.20	\$4.51
	08661781	14803-892-000	2	14803-892-000 Adjuster, Tappet 3.30	\$4.10
	08661861	14806-892-000	2	14806-892-000 Adjuster, Tappet 3.39	\$4.40
	08661941	14809-892-000	2	14809-892-000 Adjuster, Tappet 3.48	\$4.61
	08662021	14812-892-000	2	14812-892-000 Adjuster, Tappet 3.57	\$4.51
	08662101	14815-892-000	2	14815-892-000 Adjuster, Tappet 3.61	\$5.11
	08662281	14818-892-000	2	14818-892-000 Adjuster, Tappet 3.77	\$4.51
	08662361	14820-892-000	2	14820-892-000 Adjuster, Tappet 3.87	\$4.95
15	17957071	90001-ZG0-000	2	90001-ZG0-000 Bolt, Connecting Rod	\$2.34
16	17957561	90452-ZG0-000	2	90452-ZG0-000 Washer, 12mm	\$1.85
17	06849021	90454-428-000	1	90454-428-000 Washer, Thrust 20mm	\$2.70
18	07221991	96100-62030-00	1	96100-62030-00 Bearing, Radial Ball	\$9.17

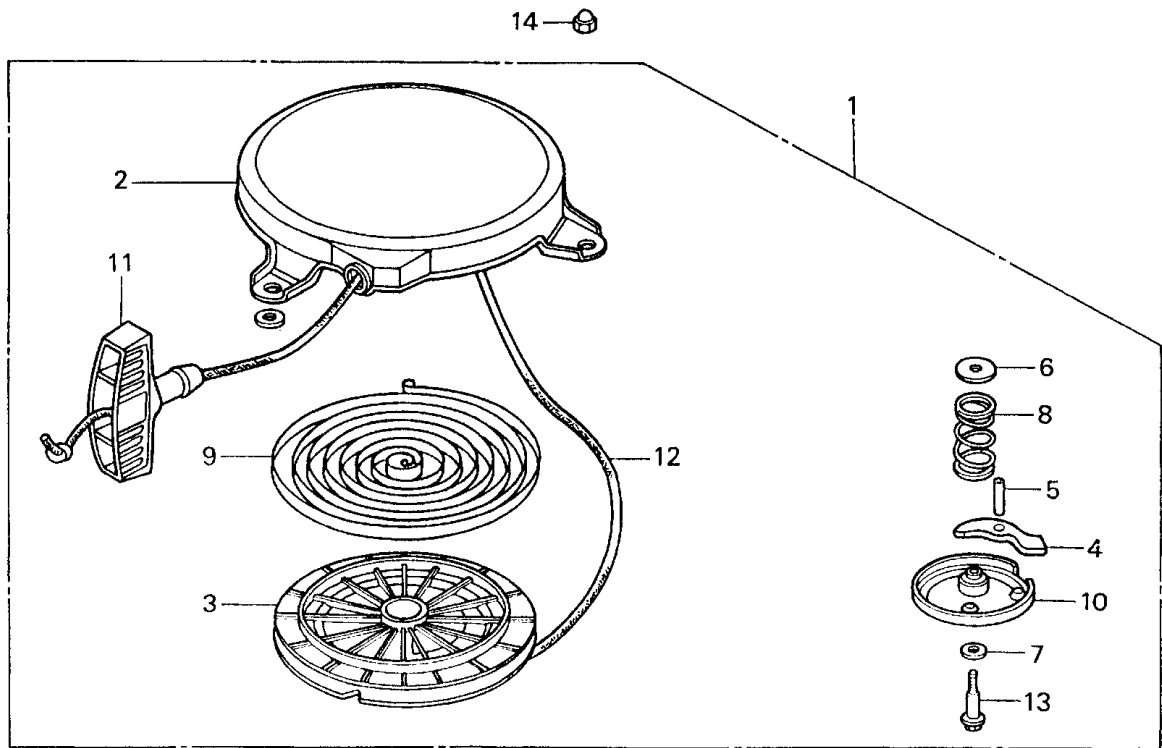
Fan Cover - BF2A

Before ordering, Please check our website
for current promotions.
www.FunPartsXpress.com



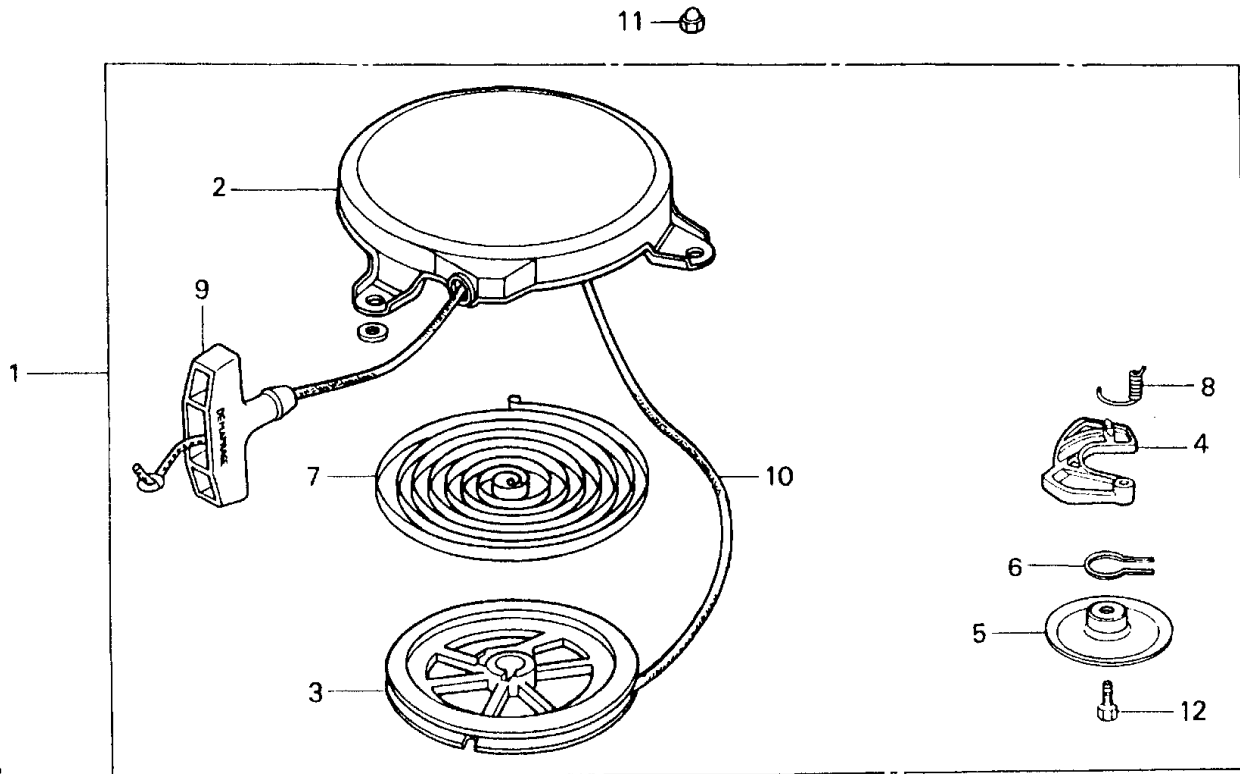
Ref #	FPX #	Honda #	Qty	Description	Price
01	18145651	16576-ZV0-000	2	16576-ZV0-000 Holder, Cable (T.O.)	\$3.12
02	18145731	16622-ZV0-000	1	16622-ZV0-000 Rod, Choke	\$9.09
03	18148211	17910-ZV0-000	1	17910-ZV0-000 Cable Comp., Throttle	\$6.97
04	18148391	17931-ZV0-000	1	17931-ZV0-000 Lever, Throttle	\$15.78
05	18148471	17932-ZV0-000	1	17932-ZV0-000 Spring, Lever	\$1.60
06	18148541	17951-ZG1-000	1	17951-ZG1-000 Knob, Choke	\$10.59
07	57743361	19610-ZV0-A02	1	19610-ZV0-A02 Cover Complete, Fan	\$160.05
08	18150421	19615-ZV0-000	1	19615-ZV0-000 Grommet, Fan Cover	\$7.04
09	30470731	36100-ZV0-023	1	NLA/36100-ZV0-023 Switch Assembly, Kill	\$30.82
10	37511461	36180-ZV0-A01	1	36180-ZV0-A01 Switch Assembly, Emergency Stop	\$70.58
**	00252		1	Adapter, Kill Switch	\$0.47
12	18163701	90017-ZV0-000	3	90017-ZV0-000 Bolt, Flange 6x18	\$1.89
13	02850491	90302-921-000	1	90302-921-000 Nut, Hex 16mm	\$3.81
14	18164871	90401-ZV0-000	1	90401-ZV0-000 Washer, Fan Cover	\$2.41
15	00650291	90445-700-000	1	90445-700-000 Packing, Fiber	\$0.99
16	36836040	16575-ZE8-000	1	16575-ZH8-000 Washer, Control Lever	\$3.86
17	04981621	91403-881-000	1	91403-881-000 Clip, Wire	\$4.51
18	18164531	90202-ZV0-000	1	90202-ZV0-000 Nut, Cap 6mm	\$2.54
19	21057990	95701-06012-00	2	95701-06012-00 Bolt, Flange 6x12	\$0.59
20	28013061	95701-06018-02	1	95701-06018-02 Bolt, Flange (6x18)	\$1.02

Starter "A" - BF2A



Ref #	FPX #	Honda #	Qty	Description	Price
01	18150831	28400-ZV0-003	1	28400-ZV0-003 Starter Assembly, Recoil	\$74.14
02	18151171	28410-ZV0-003	1	28410-ZV0-003 Case Comp., Starter	\$65.29
03	9219940	28420-ZG0-003	1	NLA/28421-Z1B-D10 Reel, Starter	\$28.37
04	8836488	28422-ZG0-003	1	28422-Z1B-D10 Ratchet, Starter	\$5.19
05	18151251	28423-ZG0-003	1	28423-ZV0-003 Shaft, Ratchet	\$3.73
06	18151331	28431-ZV0-003	1	28431-ZV0-003 Plate A, Friction	\$2.56
07	18151411	28441-ZV0-003	1	Dis/ See Notes 28441-ZV0-003 Spring, Friction	\$4.67
08	17954751	28442-ZG0-003	1	28442-ZG0-003 Spring, Return	\$23.86
09	28239871	28461-ZG0-013	1	28461-ZG0-013 Grip, Starter	\$8.99
10	52687921	0845-2G921-11	1	Rope, Starter 200' Roll #4.5 (Bumper Boat)08545-ZG921-11	\$22.99
11	18164531	90202-ZV0-000	1	90202-ZV0-000 Nut, Cap 6mm	\$2.54
12	52687921	0845-2G921-11	1	Rope, Starter 200' Roll #4.5 (Bumper Boat)08545-ZG921-11	\$22.99
13	18163471	90003-ZV0-003	1	90003-ZV0-003 Bolt, Reel Cover	\$3.02

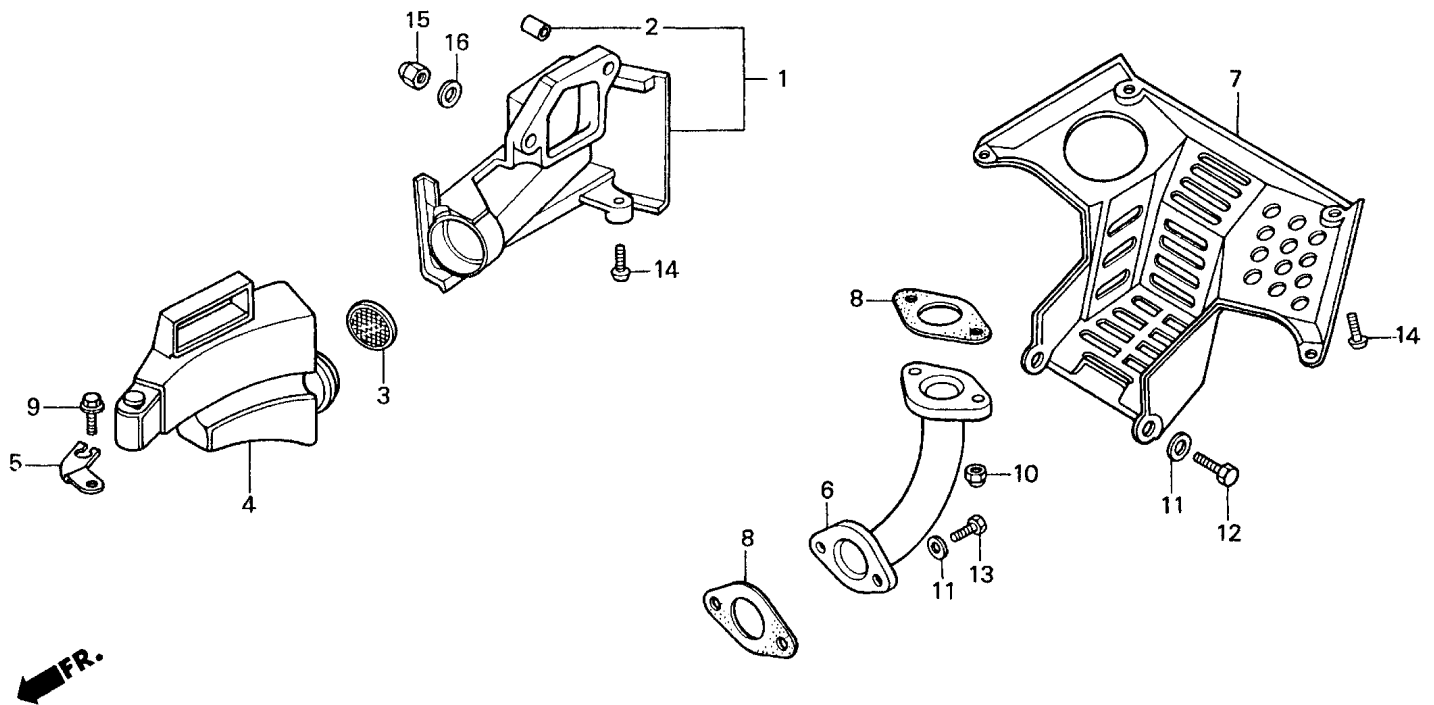
Starter "B" - BF2A



Ref #	FPX #	Honda #	Qty	Description	Price
01	46823651	28400-ZV0-004	1	28400-ZV0-004 Starter, Recoil	\$112.28
02	46823731	28410-ZV0-004	1	28410-ZV0-004 Case, Comp. Recoil Starter	\$78.96
03	41864901	28420-ZG0-004	1	28420-ZG0-004 Reel Coil, Starter	\$30.21
04	10332241	28422-896-010	1	28422-896-010 Ratchet, Starter (for 46823651) Starter	\$5.48
05	46823811	28431-ZV0-004	1	28431-ZV0-004 Plate Friction	\$3.58
06	46823991	28441-ZV0-004	1	28441-ZV0-004 Spring Friction	\$4.30
07	23329221	28442-ZE6-003	1	28442-ZE6-003 Spring, Recoil Starter	\$17.90
08	46824071	28443-ZV0-004	1	28443-ZV0-004 Spring, Return (Ratchet)	\$7.74
09	04418811	28461-878-810	1	28461-878-810 Knob, Starter	\$6.48
10	52687921	28462-ZV0-004	1	Rope, Starter 200' Roll #4.5 (Bumper Boat)08545-ZG921-11	\$22.99
11	18164531	90202-ZV0-000	3	90202-ZV0-000 Nut, Cap 6mm	\$2.54
12	34382641	92101-06012-OH	1	92101-06012-OH Bolt, Hex. (6x20)	\$0.73

Air Guide - BF2A

Before ordering, Please check our website
for current promotions.
www.FunPartsXpress.com



Ref #	FPX #	Honda #	Qty	Description	Price
01	37509081	17201-ZV0-A00	1	17201-ZV0-A00 Guide, Air	\$19.43
02	6762389	17202-ZV0-300	2	17202-ZV0-300 Collar, Distance	\$1.83
03	18146151	17203-ZV0-000	1	17203-ZV0-000 Trap, Frame	\$5.65
04	5774211	17205-ZV0-010	1	17205-ZV0-010 Chamber, Air Guide	\$14.81
05	18146311	17206-ZV0-000	1	17206-ZV0-000 Stay, Air Guide Chamber	\$2.97
06	18148621	18201-ZV0-000	1	18201-ZV0-000 Pipe Comp., Exhaust	\$42.52
07	18148701	18205-ZV0-000	1	18205-ZV0-000 Protector Comp., Exhaust Pipe	\$40.90
08	43665141	18211-ZV0-850	2	18211-ZV0-850 Gasket A, Exhaust Pipe	\$3.04
09	18163701	90017-ZV0-000	1	90017-ZV0-000 Bolt, Flange 6x18	\$1.89
10	18164531	90202-ZV0-000	2	90202-ZV0-000 Nut, Cap 6mm	\$2.54
11	02851141	90504-921-010	4	90504-921-010 Washer, Plain 6mm	\$1.38
12	28011731	92101-06012-4J	2	92101-06012-4J Bolt, Hex 6x12	\$1.67
13	28011991	92101-06016-4J	2	92101-06016-4J Bolt, Hex 6x16	\$1.46
14	21333461	90081-ZV0-000	4	90081-ZV0-000 Screw, Tapping 5x16	\$2.76
15	03033471	94021-05020-0S	2	94021-05020-0S Nut, Cap 5mm	\$0.65

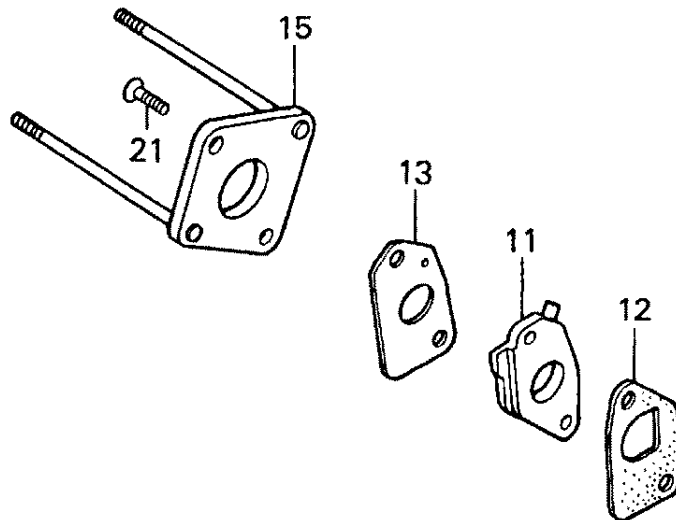
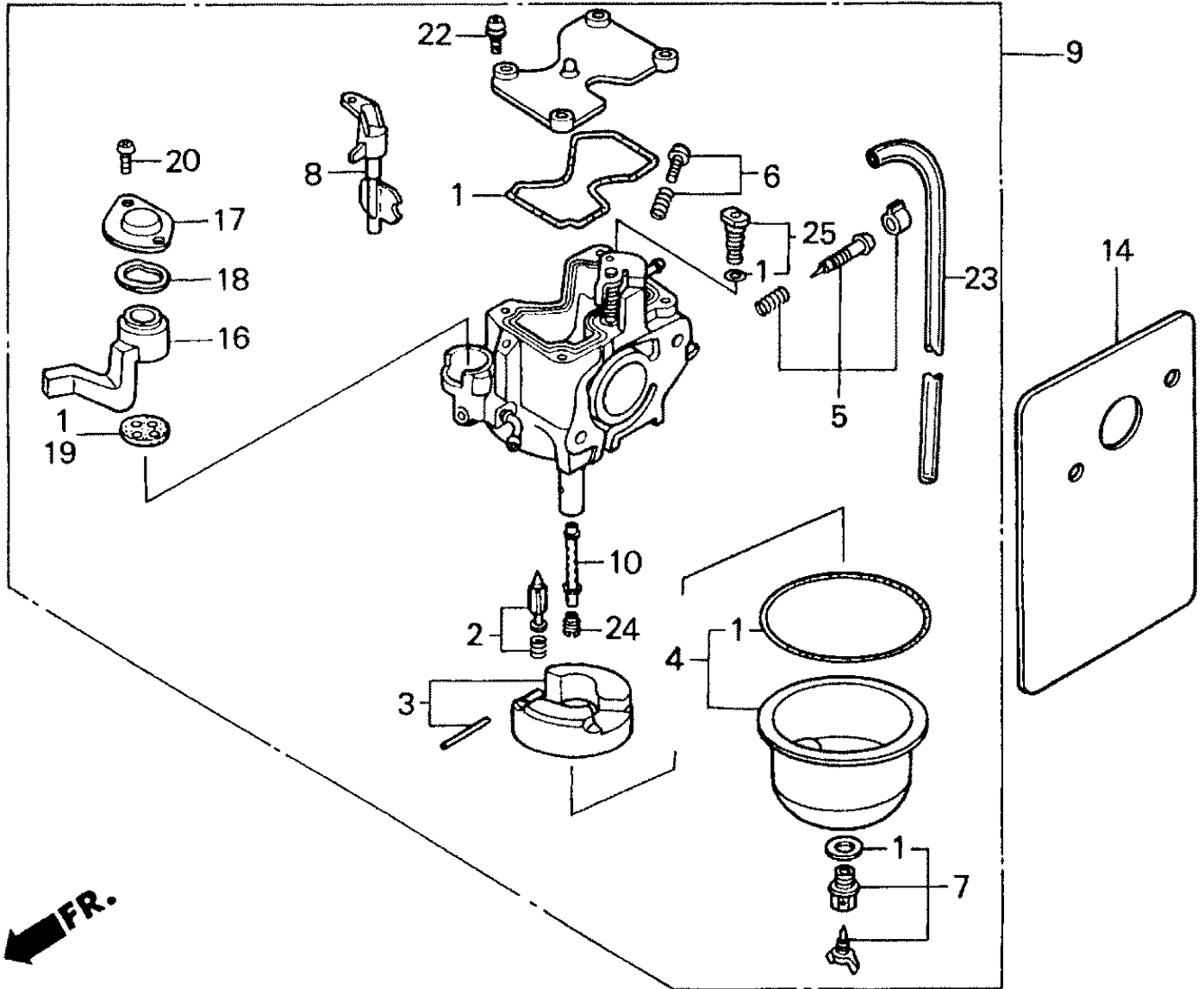
E-MAIL: parts@funpartsexpress.com Internet: <http://www.funpartsexpress.com>

TOLL FREE PHONE ORDERING: 1-800-854-3140

INTERNATIONAL PHONE ORDERING: 1-503-304-8899

Prices subject to change without notice. **19**

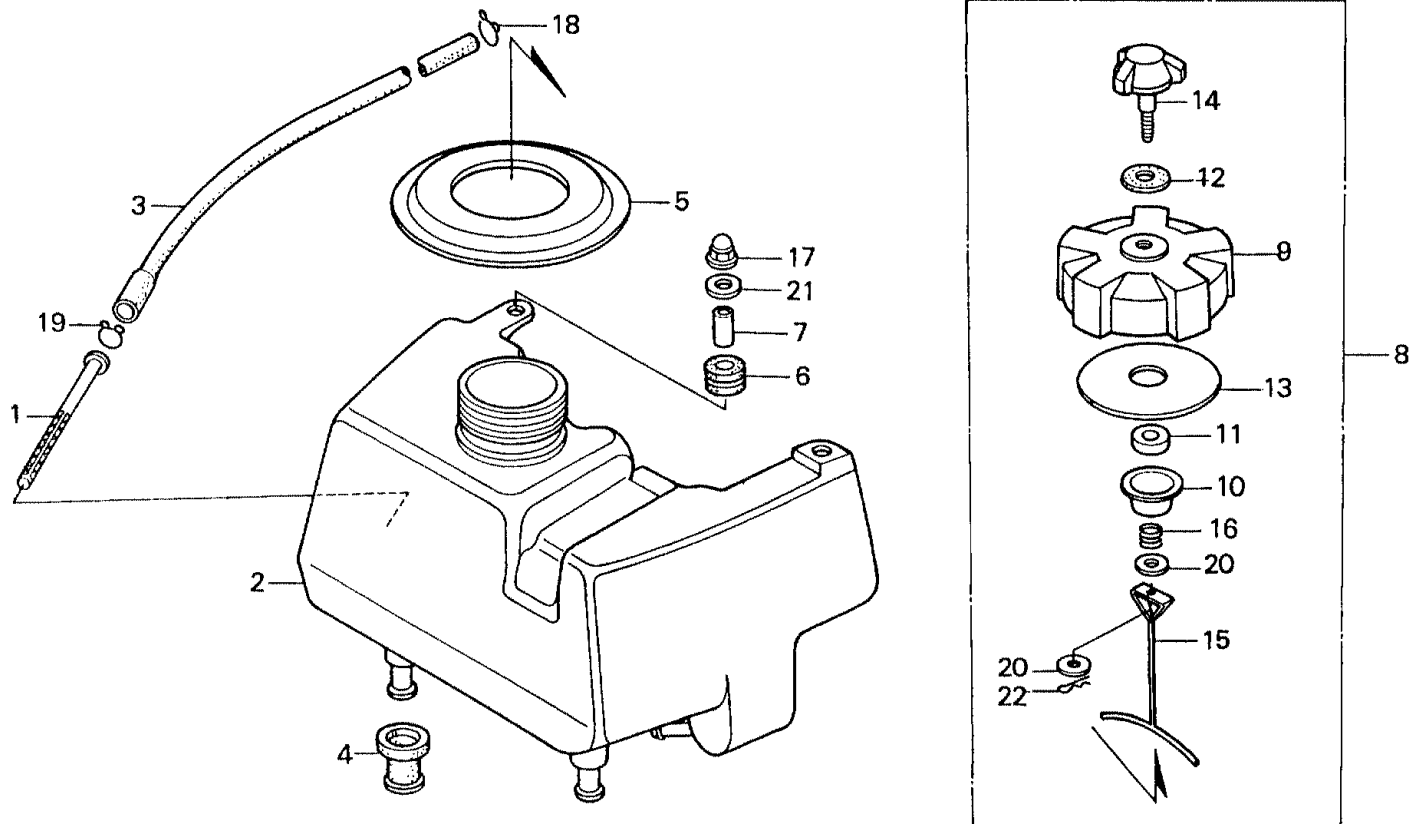
Carburetor - BF2A



Carburetor - BF2A

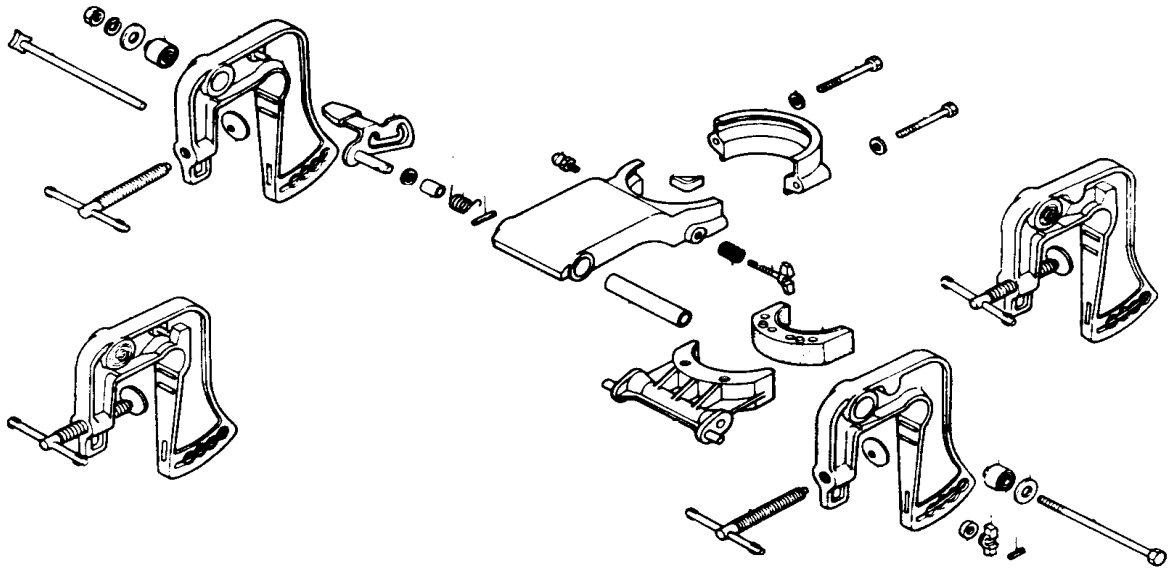
Ref #	FPX #	Honda #	Qty	Description	Price
01	35201451	16010-ZV0-025	1	16010-ZV0-025 Gasket Set	\$15.19
02	14414760	16011-ZE0-005	1	16011-ZE0-005 Valve Seat, Float(AH,H)	\$21.32
03	18076921	16013-ZG0-811	1	16013-ZG0-811 Float Set	\$19.27
04	6433411	16015-ZW6-003	1	16015-ZW6-003 Chamber Set, Float	\$35.78
05	37508091	16016-ZV0-A00	1	16016-ZV0-A00 Screw Set	\$9.33
06	37508171	16028-ZV0-A00	1	16028-ZV0-A00 Screw Set	\$7.14
07	37508251	16029-ZV0-A00	1	16029-ZV0-A00 Screw Set	\$8.57
08	37508331	16044-ZV0-A00	1	16044-ZV0-A00 Lever Set, Choke	\$25.98
09	5774104	16100-ZV0-E21	1	16100-ZV0-E21 Carburetor Assembly	\$110.31
10	26502811	16166-ZV0-015	1	NLA/DIS 16166-ZV0-015 Nozzle, Main	\$21.98
11	24588181	16211-ZV0-000	1	16211-ZV0-000 Insulator, Carburetor	\$6.81
12	43278621	16212-ZV0-850	1	16212-ZV0-850 Gasket, Breather Mtg	\$1.79
13	40350771	16221-ZG0-801	1	16221-ZG0-801 Gasket, Insulator Block Mtg	\$1.99
14	44379351	16221-ZV0-850	1	16221-ZV0-850 Gasket, Carb. Heat Sheild	\$25.00
15	18145571	16225-ZV0-000	1	16225-ZV0-000 Plate, Carburetor	\$20.84
16	37508901	16953-ZV0-A00	1	16953-ZV0-A00 Lever, Cock	\$7.89
17	51481350	16954-ZE1-812	1	16954-ZE1-812 Lever, Valve	\$2.57
18	18078090	16956-ZE1-811	1	16956-ZE1-811 Spring, Cock Lever	\$2.90
19	34407080	16957-ZE1-812	1	16957-ZE1-812 Packing, Fuel Cock	\$3.14
20	37508411	16081-ZV0-A00	2	16081-ZV0-A00 Screw, Pan	\$1.69
21	18166441	93600-05020-0B	2	93600-05020-0B Bolt, Flange 5x20	\$1.07
22	04859531	93892-04012-08	4	93892-04012-08 Screw, Washer 4x12	\$0.61
	37508581	16082-ZV0-A00	4	16082-ZV0-A00 Screw, Pan	\$2.54
23	5589684	95003-09001-60M	1	95003-09001-60M Bulk Hose, Vinyl	\$2.76
24	12013671	99101-187-0700	1	99101-187-0700 Jet Main, #70 (STD)	\$8.81
	17961681	99101-187-0600	1	99101-187-0600 Jet Main #60	\$5.65
	18252561	99101-187-0620	1	99101-187-0620 Jet, Main #62	\$5.65
	10839711	99101-187-0650	1	99101-187-0650 Jet Main #65	\$8.81
25	14416090	99204-ZE0-0350	1	99204-ZE0-0350 Jet Set, Pilot #35	\$17.43

Fuel Tank - BF2A

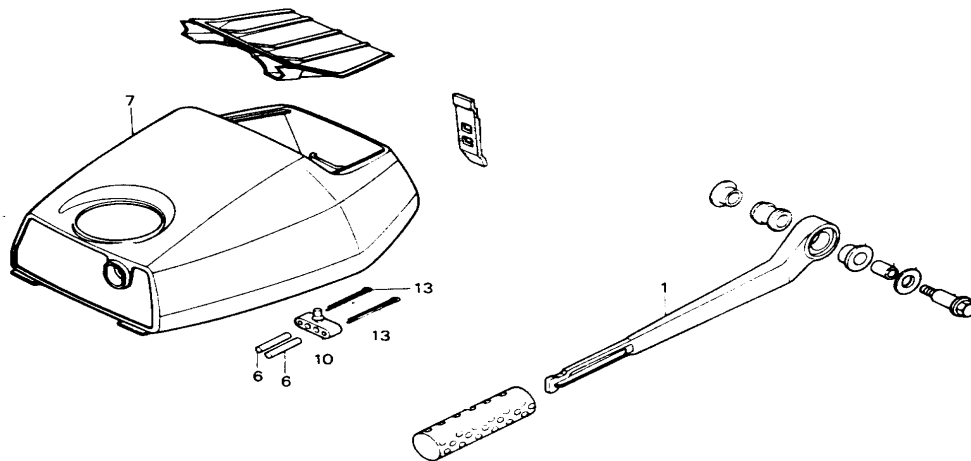


Ref #	FPX #	Honda #	Qty	Description	Price
01	14529451	16952-ZE6-000	1	16952-ZE6-000 Strainer, Fuel	\$6.72
02	22939261	17510-ZV0-010	1	17510-ZV0-010 (New Take-Off) Fuel Tank, BF2 Factory Stoc	\$11.07
03	18146641	17512-ZV0-000	1	17512-ZV0-000 Tube, Fuel	\$13.38
04	18146721	17517-ZV0-000	2	17514-ZV0-000 Rubber C, Tank Mounting	\$2.81
05	18146801	17515-ZV0-000	1	17515-ZV0-000 Rubber A, Tank Mounting	\$5.09
06	18146981	17516-ZV0-000	2	17516-ZV0-000 Rubber B, Tank Mounting	\$2.81
07	18147061	17517-ZV0-000	2	17517-ZV0-000 Collar, Tank Mounting	\$2.85
08	7029242	17620-ZV0-020	1	17620-ZV0-020 Cap Assembly, Fuel Tank (Honda BF2 Plastic)	\$23.66
09	18826201	17621-ZV0-010	1	17621-ZV0-010 Body, Fuel Cap	\$7.92
10	18147551	17622-ZV0-000	1	17622-ZV0-000 Inner, Fuel Cap	\$3.00
11	18147631	17623-ZV0-000	1	17623-ZV0-000 Sponge, Fuel Cap Breather	\$1.38
12	18147711	17624-ZV0-000	1	17624-ZV0-000 Gasket, Valve	\$0.97
13	18147891	17625-ZV0-000	1	17625-ZV0-000 Packing, Fuel Cap	\$2.85
14	18826381	17626-ZV0-010	1	17626-ZV0-010 Value Comp., Breather	\$5.27
15	18148051	17628-ZV0-000	1	17628-ZV0-000 Link, Fuel Cap	\$3.12
16	18148131	17629-ZV0-000	1	17629-ZV0-000 Spring, Fuel Cap	\$2.06
17	18164531	90202-ZV0-000	2	90202-ZV0-000 Nut, Cap 6mm	\$2.54
18	18165521	90602-ZV0-000	1	90602-ZV0-000 Clip B10, Tube	\$1.44
19	18165601	90604-ZV0-000	1	90604-ZV0-000 Clip C12, Tube	\$1.07
20	03157131	94101-04200	2	94101-04200 Washer, Plain 4mm	\$0.75
21	09147541	94103-06200	2	94103-06200 Washer, Plain (6mm)	\$0.82
22	02443431	94251-04000	1	94251-04000 Pin, Lock 4mm	\$0.39
**	001772		1	Filter, Water 75 Micron Water Squirter	\$2.56

Swivel - BF2A



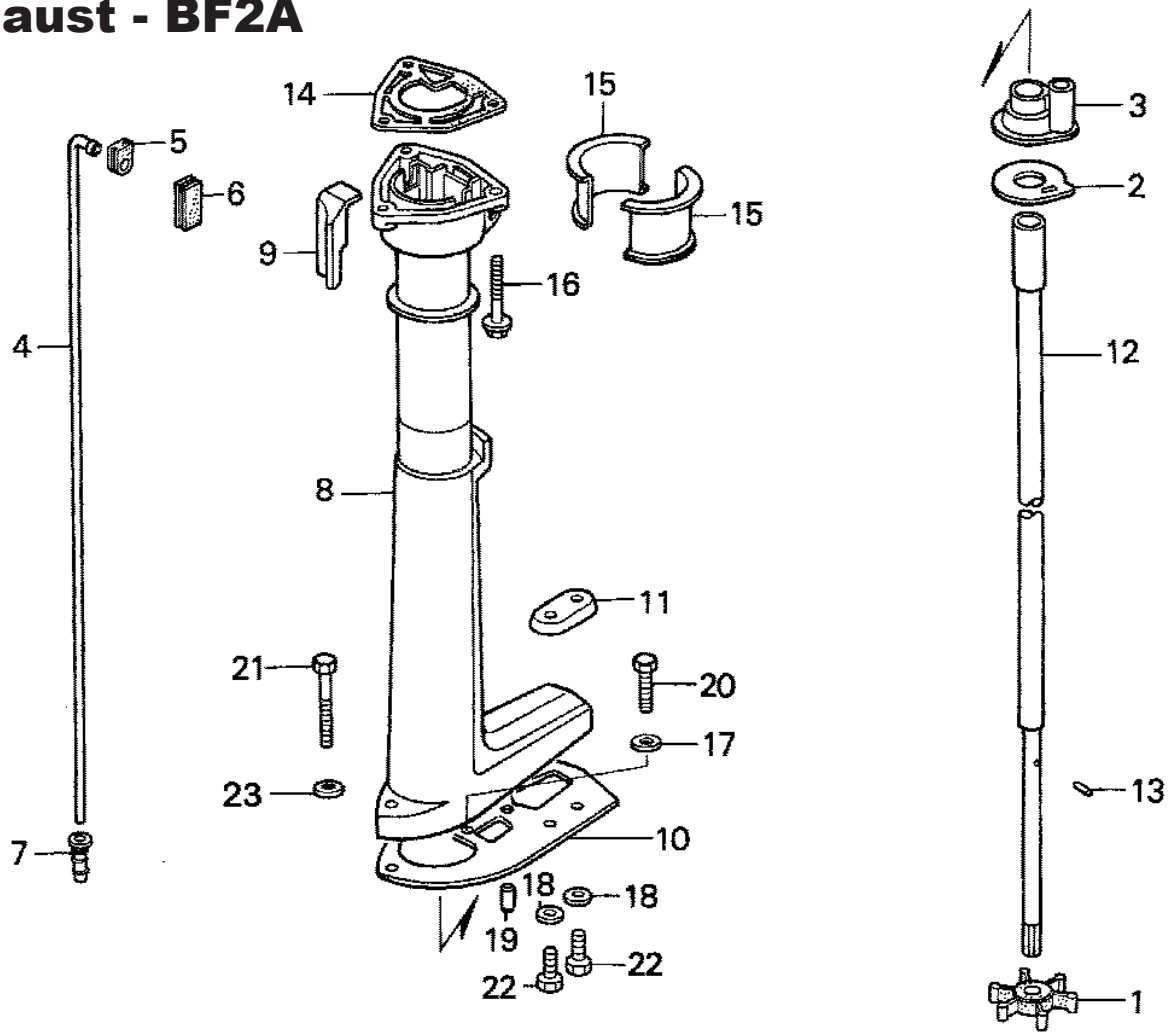
**NO LONGER AVAIABLE AS A
COMPLETE UNIT**



**NO LONGER AVAIABLE AS A
COMPLETE UNIT**

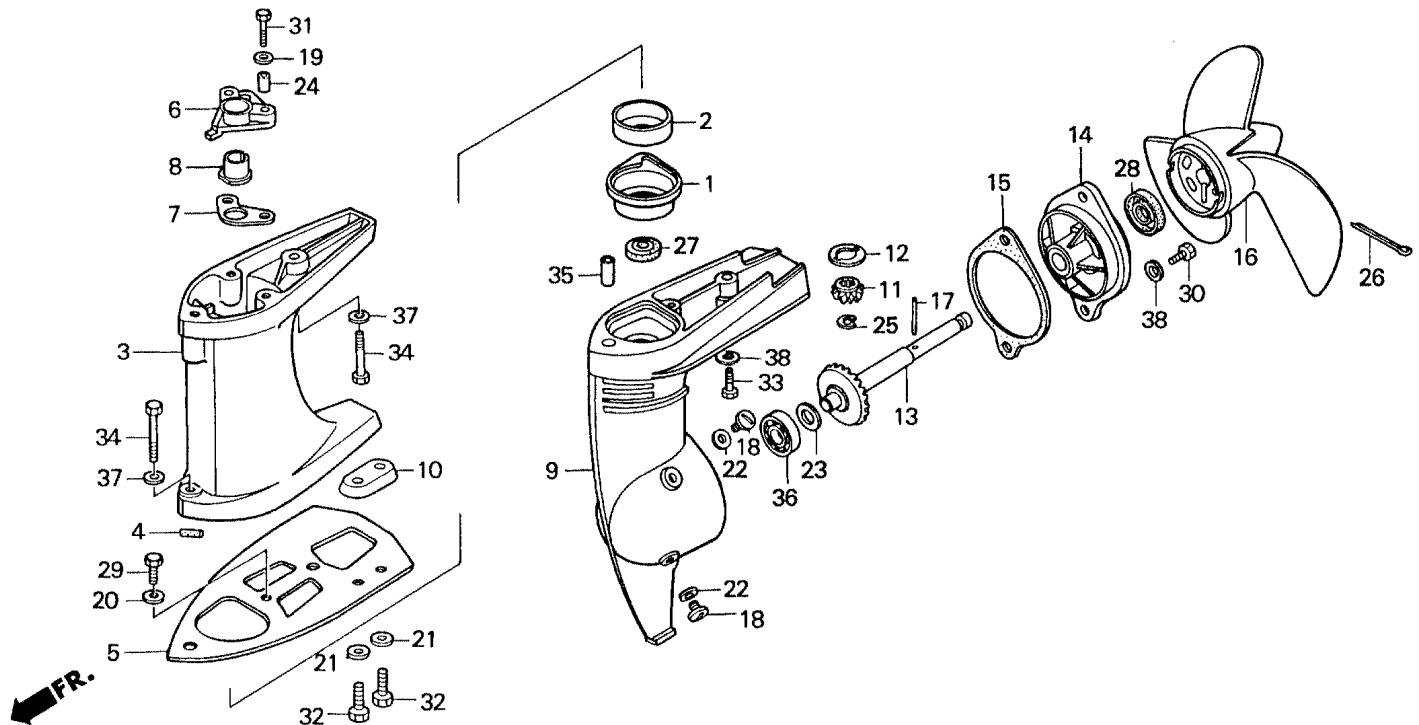
**Note: Items on this page could be sold out. Please check
with your J&J representative.**

Exhaust - BF2A



Ref #	FPX #	Honda #	Qty	Description	Price
01	18149461	19211-ZV0-003	1	19211-ZV0-003 Impeller, Water Pump	\$24.47
02	18149791	19231-ZV0-000	1	19231-ZV0-000 Cover, Impeller	\$4.95
03	18149871	19233-ZV0-000	1	19233-ZV0-000 Holder, Impeller Cover	\$10.14
04	18149951	19251-ZV0-000	1	19251-ZV0-000 Tube, Water	\$21.28
05	18150001	19252-ZV0-000	1	19252-ZV0-000 Rubber A, Water Seal	\$2.90
06	18150181	19253-ZV0-000	1	19253-ZV0-000 Rubber B, Water Seal	\$4.28
07	18150261	19254-ZV0-000	1	19254-ZV0-000 Grommet, Water Pump	\$4.16
08	37466901	40201-ZV0-842ZB	1	40201-ZV0-842ZB Case, Extention *NH282MU*	\$161.62
09	18153311	40203-ZV0-000	1	40203-ZV0-000 Guide, Exhaust	\$8.97
10	37467401	40205-ZV0-842ZB	1	40205-ZV0-842ZB Plate, Caviation (NH282MU)	\$40.90
11	37398101	41106-ZV4-650	1	41106-ZV4-650 Metal, Anode	\$10.12
12	18153981	41110-ZV0-000	1	41110-ZV0-000 Shaft Comp., Vertical	\$107.61
13	18154061	41122-ZV0-000	1	41122-ZV0-000 Pin, Vertical Shaft	\$1.46
14	44743751	50205-ZV0-850	1	50205-ZV0-850 Packing, Upper Case	\$4.95
15	18156381	50211-ZV0-000	2	50211-ZV0-000 Liner, Swivel Case	\$9.84
16	18164461	90123-ZV0-000	3	90123-ZV0-000 Bolt, Flange 6x32	\$1.99
17	02851141	90504-921-010	2	90504-921-010 Washer, Plain 6mm	\$1.38
18	28006051	90506-ZV4-000	2	90506-ZV4-000 Washer, Plain 6mm	\$2.32
19	18165781	90751-ZV0-000	2	90751-ZV0-000 Pin, Dowel 8x17	\$2.68
20	28011731	92101-06012-4J	1	92101-06012-4J Bolt, Hex 6x12	\$1.67
21	31733821	90113-ZV0-000	1	90113-ZV0-000 Bolt, Hex 6x35	\$3.79
22	29450461	90127-ZV4-000	2	90127-ZV4-000 Bolt, Hex 6x16	\$1.67

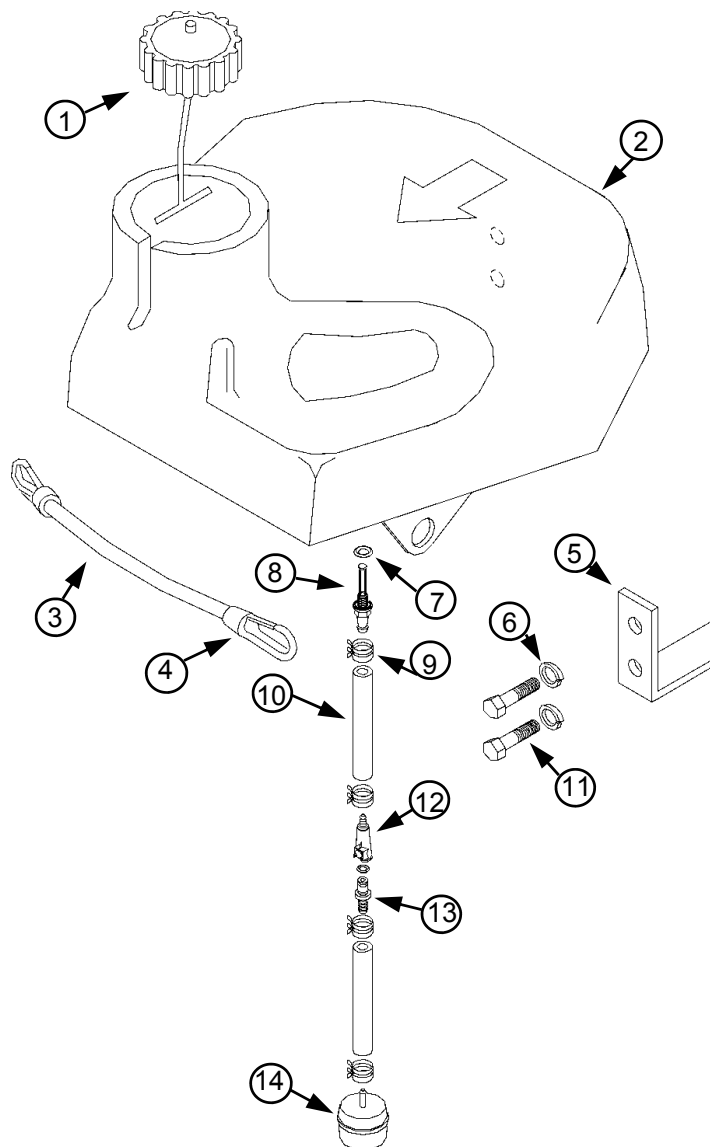
Gear Case - BF2A



Ref #	FPX #	Honda #	Qty	Description	Price
01	26503801	19221-ZV0-010	1	19221-ZV0-010 Housing, Impeller	\$7.58
03	26503981	19223-ZV0-010	1	19223-ZV0-010 Liner, Pump	\$8.15
09	6726285	41101-ZV0-505ZB	1	41101-ZV0-505ZB Case Comp., Gear *NH282MU*	\$212.14
11	18154141	41131-ZV0-000	1	41131-ZV0-000 Pinion, Bevel	\$47.87
12	18154221	41135-ZV0-000	1	41135-ZV0-000 Washer, Pinion Thrust	\$3.86
13	18154301	41160-ZV0-000	1	41160-ZV0-000 Shaft Complete, Propellor	\$130.63
14	37467811	41201-ZV0-842ZB	1	41201-ZV0-842ZB Holder Comp., Propeller Shaft	\$51.22
15	44345771	41281-ZV0-850	1	41281-ZV0-850 Packing, Propeller	\$3.62
16	37470291	58130-AV0-841ZB	1	58130-ZV0-841ZB Propeller Comp., 3 Blade *NH283*	\$64.60
17	18158851	58131-ZV0-000	1	58131-ZV0-000 Pin, Shear	\$3.28
18	37448021	90105-ZV4-650	2	90105-ZV4-650 Bolt, Oil Check 8x8	\$6.22
20	02851141	90504-921-010	3	90504-921-010 Washer, Plain 6mm	\$1.38
22	02851301	90507-921-000	2	90507-921-000 Washer, Nylon 8mm	\$0.97
23	18165451	90531-ZV0-000	1	90531-ZV0-000 Washer A, Gear (1.00)	\$2.15
	20761721	90532-ZV0-000	1	90532-ZV0-000 Washer B, Gear (1.05)	\$2.47
25	16416201	90755-SB2-000	1	90755-SB2-000 E-Ring 6mm	\$2.97
26	18165861	90757-ZV0-000	1	90757-ZV0-000 Pin, Split 3mm	\$2.81
27	18166281	91251-ZV0-003	1	91251-ZV0-003 Seal, Water 11x21x8	\$4.85
28	18166361	91253-ZV0-003	1	91253-ZV0-003 Seal, Water 22x21x8	\$6.62
30	29450461	9127-ZV4-000	2	90127-ZV4-000 Bolt, Hex 6x16	\$1.67
33	31733821	90113-ZV0-000	1	90113-ZV0-000 Bolt, Hex 6x35	\$3.79
35	00693101	94301-08140	2	94301-08140 Pin, Dowel 8x14	\$1.38
36	06712971	96100-60000-00	1	96100-60000-00 Bearing, Radial Ball	\$8.84

Fuel Tank - BF2A

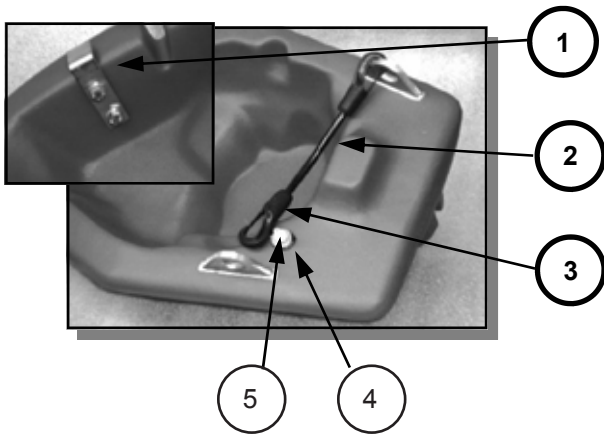
Note: This tank only fits Honda BF2A motors.



Ref #	FPX #	Honda #	Qty	Description	Price
01	7029242	17620-ZV0-020	1	17620-ZV0-020 Cap Assembly, Fuel Tank (Honda BF2 Plastic)	\$23.66
02	A00188		1	Tank, Fuel Assy BF2A "Red" (EZ Mount) No/Gas Cap	\$112.19
03	0086511		1/2 ft	Rope, 5/16" Pro-Flex (Black)	\$2.09
04	THB5-100		2	Hook, 5/16" W/Tongue	\$3.32
05	000611		1	Bracket, EZ Mount Fuel Tank Hold Down	\$1.91
06	00290		2	Washer, 1/4 S/S Lock	\$0.13
07	09498830	91353-671-003	1	91353-671-003 O-Ring, 14mm	\$2.11
08	14274590	16955-ZE1-000	1	16955-ZE1-000 Joint, Fuel Tank	\$9.47
09	1288		1	Clamp, Fuel Line (3/16 Green) Spring	\$0.22
10	H-173		1 ft	Hose, Fuel Line 3/16" (Go-Kart & Bumper Boats)	\$0.15
11	002983		2	Bolt, 1/4-20 x 1/2 316 S/S HCS	\$0.53
12	PMCD17-03		1	Coupler, Female 3/16 Fuel Shutoff (Used with PMC22-03 Ma	\$12.02
13	PMC22-03		1	Coupler, Male 3/16 Fuel hose (Use With PMCD17-03 Female)	\$4.44
14	001772		1	Filter, Water 75 Micron Water Squirter	\$2.56
**	A0086513		1	Strap, Fuel Tank Assembly BF2A	\$8.81

Instructions - BF2A

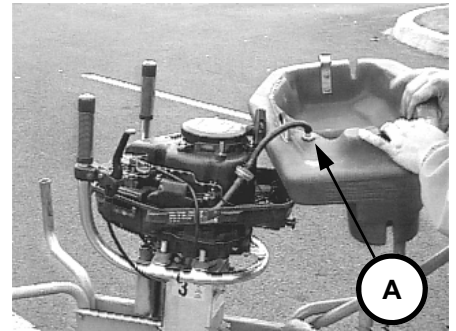
BF2A Strap Type Tank Installation Instructions



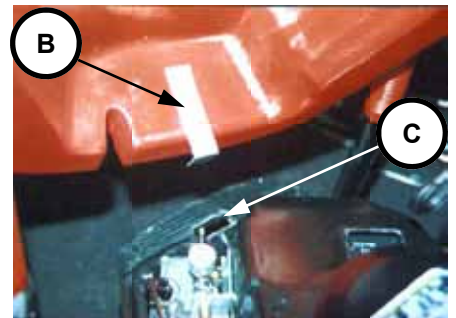
Ref#	FPX #	Description	Price
1	000611	Bracket, EZ Mount Fuel Tank Hold Down	\$1.91
2	0086511	Rope, 5/16" Pro-Flex (Black)	\$2.09
3	THB5-100	Hook, 5/16" W/Tongue	\$3.32
4	09498830	91353-671-003 O-Ring, 14mm	\$2.11
5	14274590	16955-ZE1-000 Joint, Fuel Tank	\$9.47
**	A00188	Tank, Fuel Assy BF2A "Red" (EZ Mount) No/Gas Cap	\$112.19
**	A00188C	Tank, Fuel Assy BF2A (EZ Mount) W/Gas Cap	\$123.41

Attach fuel line to fuel tank joint [A].

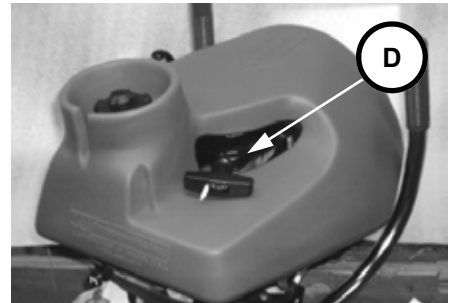
Note: If you are retrofitting, you will need to lengthen fuel line.



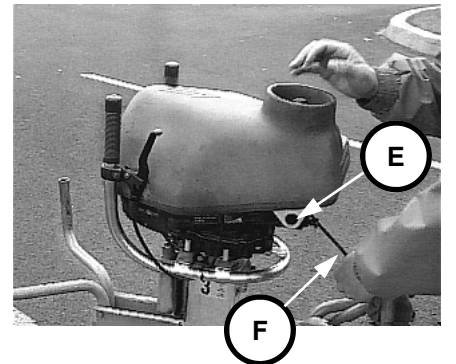
Turn tank over and line up the bracket [B] with the slot [C] in motor housing. Insert [B] into [C].



Pull starter handle [D] through tank vent as you tilt tank forward. *(see picture right)*



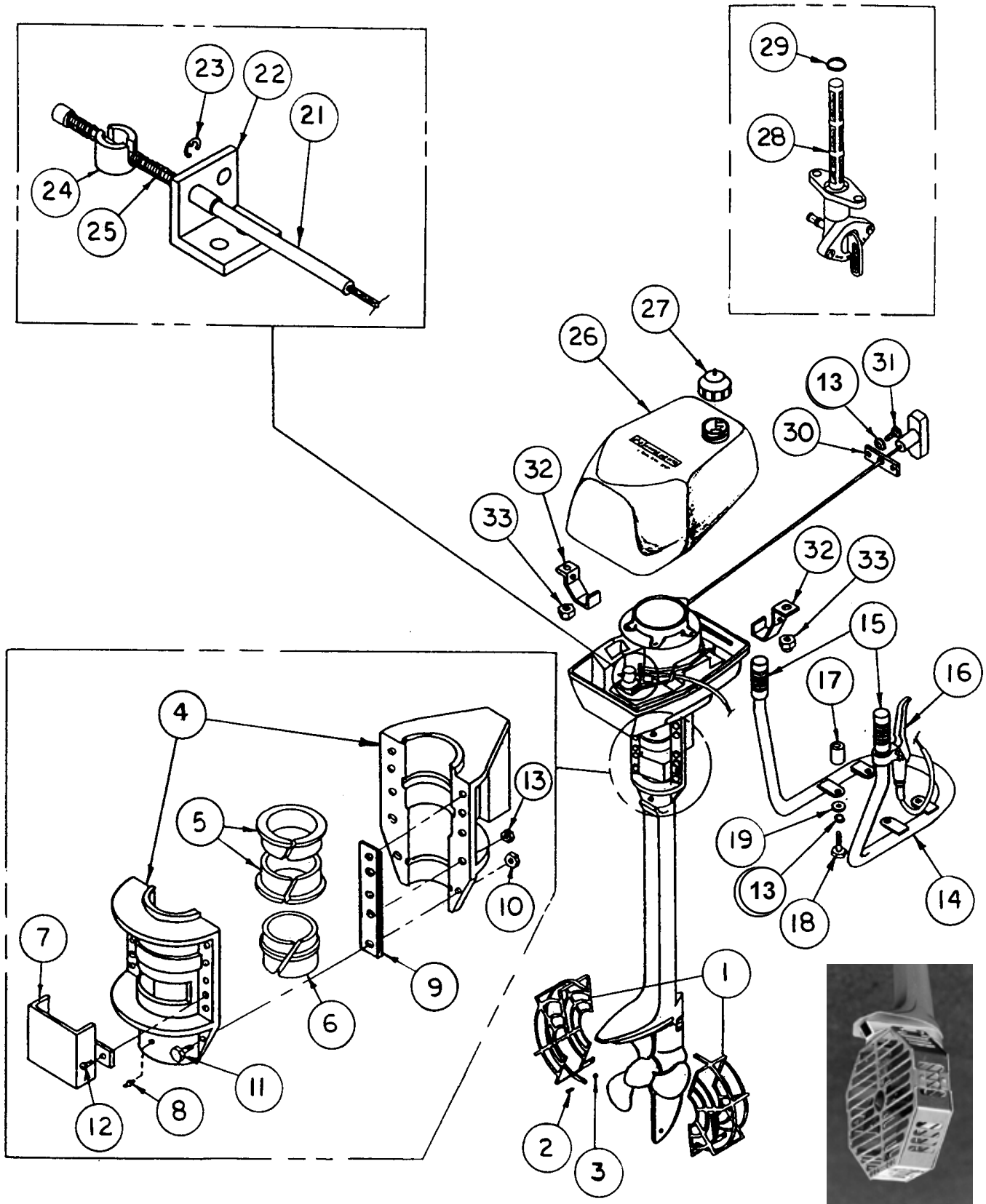
Attach strap [F] to tank [E]. Hold down and pull underneath motor housing to opposite side and attach.



Note: Make sure fuel line is not pinched.

If you have any questions please give us a call at (800) 854-3140 or (503) 304-8899.

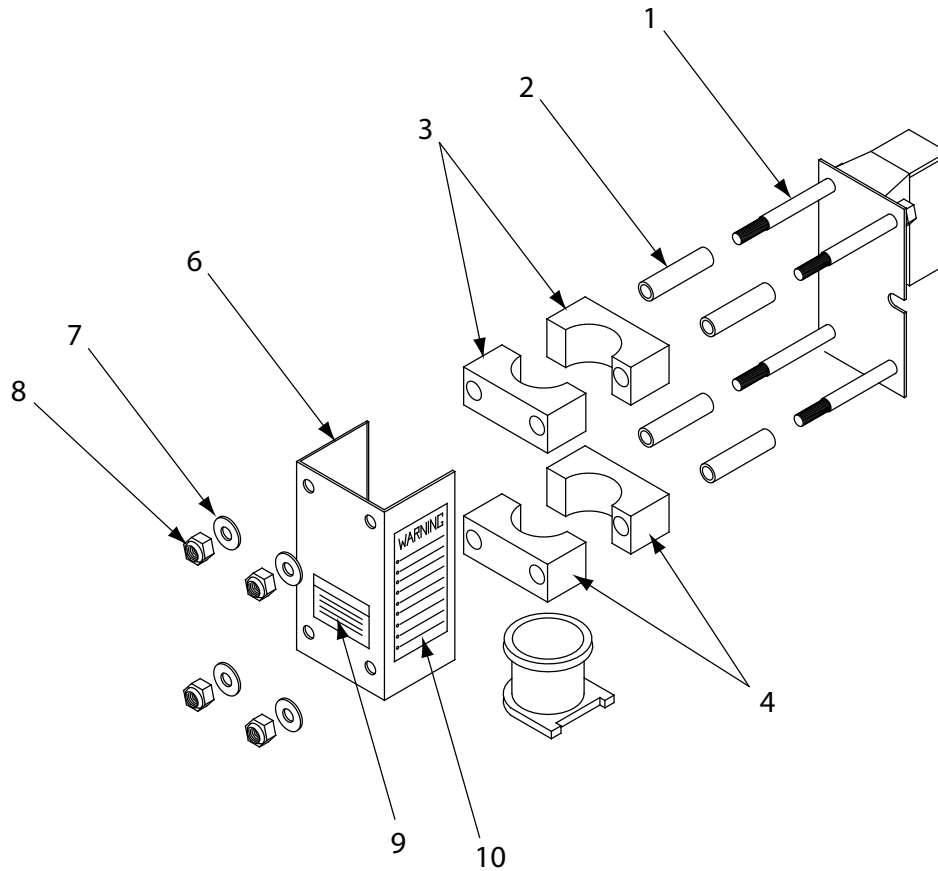
Custom - BF2A



Custom - BF2A

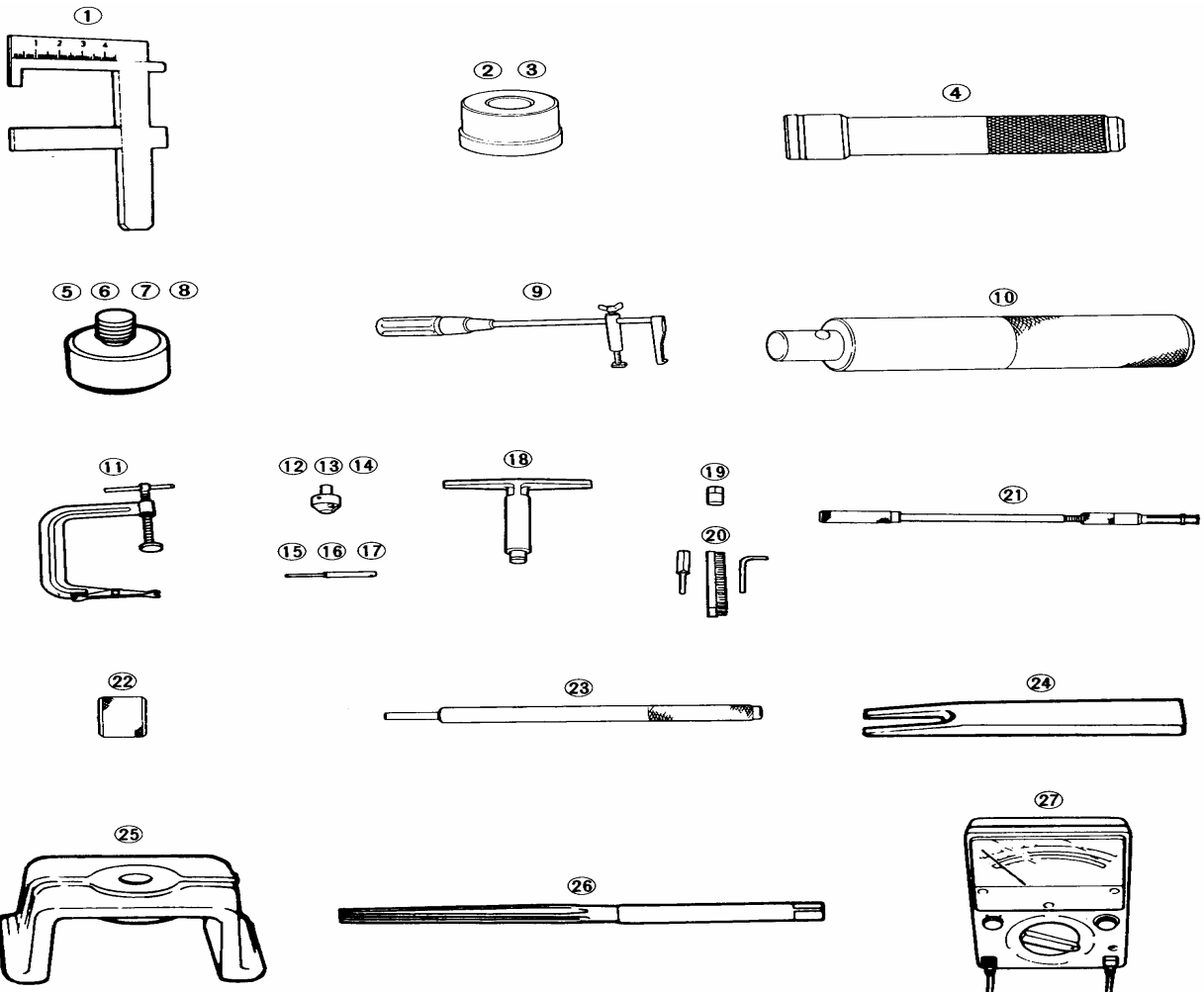
Ref #	FPX #	Honda #	Qty	Description	Price
01	2-20-A0003			Guard, Prop Free Flow Assy (Honda/Electric) Carolina	\$167.18
02	00296			Screw, 10-24 x 3/4 PPH MS	\$0.38
03	00297			Nut, 10-24 S/S Nylock	\$0.38
04	NLA				
05	00143			Bushing, Pivot Uppers Steering (Green Style)	\$14.56
06	00142			Bushing, Pivot Delrin (Green Style)	\$20.99
**	00144			Pin, Honda Delrin Bushing	\$0.30
07	00274			Pivot, Water Displacement, Honda Pivot	\$6.97
08	00275			Zerk, Boat Motor Pivot	\$0.99
09	00276			Shim, Motor Pivot	\$1.53
10	2-50-0096			Nut, 1/4-20 S/S FHN	\$0.16
11	00877			Bolt, 1/4-20 x 1 B5-Z	\$0.24
12	00294			Screw, 10-32 x 1 Phil Head - Stainless	\$0.18
13	00290			Washer, 1/4 S/S Lock	\$0.13
14	00237			Handle Bar, U-93 Style Honda BF2A (Pre-2000)	\$137.70
15	00238			Grip, Bumper Boat Motors (Red)	\$2.12
16	00434			Lever, Throttle (KHS 3-FGR.BRK.LVR.)	\$20.39
**	00439			Lever Adjuster, Throttle For Part#00434	\$4.21
17	00251			Spacer, Honda Handle Bar	\$3.58
18	00295			Bolt, 6 x 60mm S/S Hex Tap	\$1.57
19	00289			Washer, 1/4 X 5/8 S/S Flat	\$0.15
21	00430			Cable, Throttle, 20-1/4" W/Spring (Honda BF2A)	\$20.91
**	00435			Cover, Cable 93-98 (SB-1C)	\$1.77
22	00457			Throttle Cable Bracket, Honda BF2A	\$4.38
23	00437			Clip, E (Throttle Cables #TC001B) 1/4"	\$1.23
24	00438			Throttle Linkage, Honda	\$6.40
24A	0028600			Screw, 6-32 X 3/4 S/S P/P/H	\$0.09
24b	002861			Nut, 6-32 S/S Nylock	\$0.13
25	00132			Spring, Carb Hd Cone	\$2.67
**	009032			Spring, Throttle Cable (Small) For 00430	\$0.36
26	A00188			Tank, Fuel Assy BF2A "Red" (EZ Mount) No/Gas Cap	\$112.19
**	A00188C			Tank, Fuel Assy BF2A (EZ Mount) W/Gas Cap	\$123.41
**	00187			Tank, Fuel Bare BF2A E-Z Mount (Red) "Strap-Type"	\$99.86
**	00292			Stud, 1/4-20 x 31mm Tank Std - Stainless	\$0.30
**	00293			Stud, 1/4-20 x 34mm Tank Std - Stainless	\$0.65
27	7029242			17620-ZV0-020 Cap Assembly, Fuel Tank (Honda BF2 Plastic)	\$23.66
28	00188			Petcock, Fuel Tank - Acerbis-Honda	\$21.05
29	00200			O-Ring, Petcock Acerbis-Honda	\$0.82
**	001772			Filter, Water 75 Micron Water Squirter	\$2.56
30	00357			Pull Rope Guide, Honda Fuel Tank S/S	\$12.75
**	00359			Pull Rope Grommet, Honda	\$1.36
31	002871			Bolt, 1/4-20 x 3/4 G5 S/S	\$0.13

Pivot - BF2A



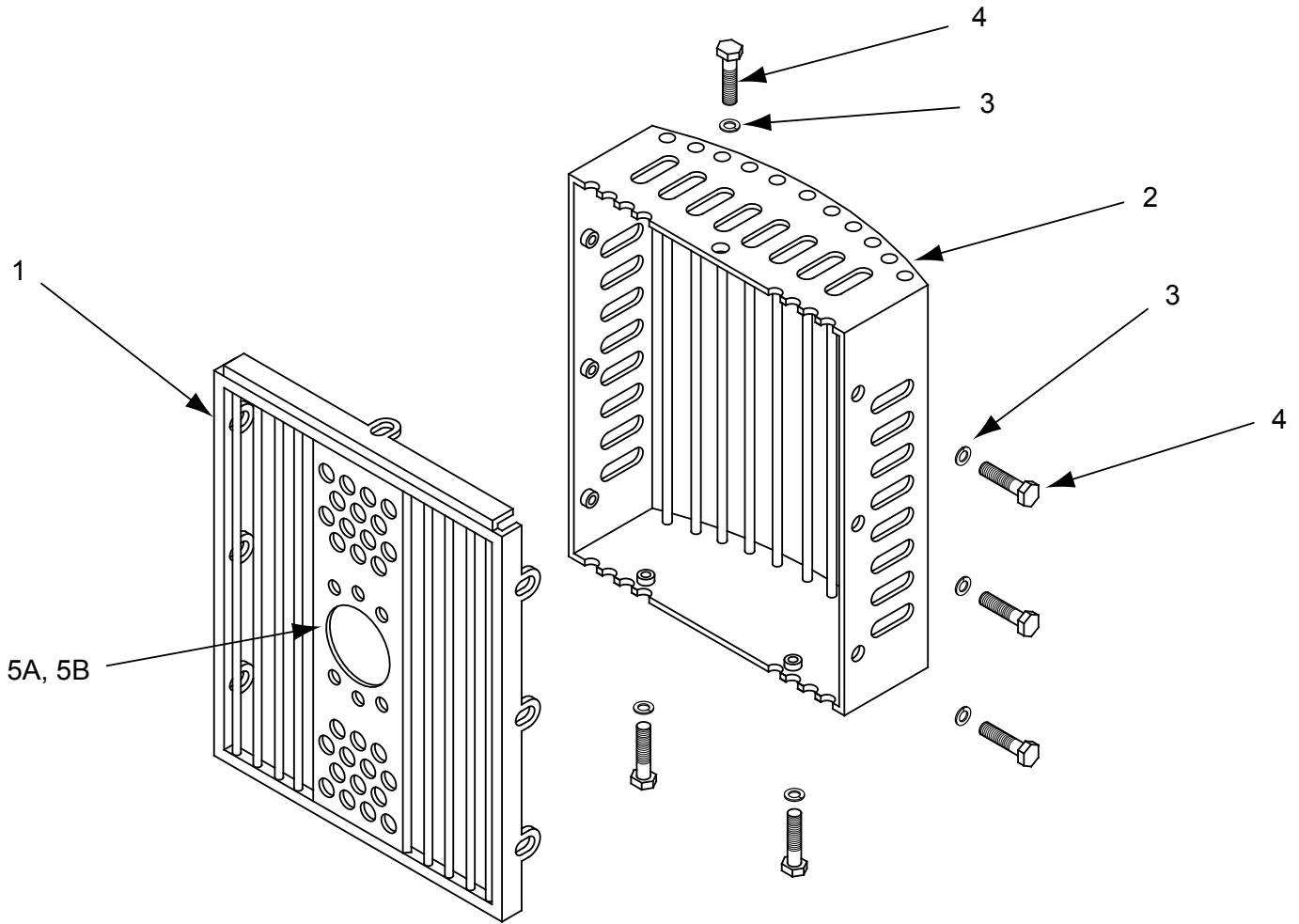
Ref #	FPX #	Honda #	Qty	Description	Price
**	A00273		1	Pivot Assy., UHMW Socket Type (Honda BF2)	\$234.45
01	00273		1	Pivot, Bracket, Socket Style (UHMW Style)	\$144.74
02	002722		4	Spacer, 3/4 O.D. .095 UHMW Pivot	\$4.71
03	002912G		1	Bushing, Pivot UPPER Green (Honda BF2DX)	\$69.56
04	002913		1	Bushing, Pivot UHMW Lower	\$9.15
05	002914		1	Bushing, Pivot UHMW Insert (Electric)	\$16.83
06	2-10-0006		1	Pivot, Water Shield BF2D (Rev A)	\$19.23
07	009681		4	Washer, 1/2 x 7/8 S/S Flat	\$0.12
08	009455		4	Nut, 1/2-13 Nyloc SS	\$1.88
09	00180		1	Decal, Warning Engine Exhaust (California)	\$1.41
10	001717		1	Decal, Warning-Gas Bumper Boat Motor	\$1.41

Special Tools/Manual - BF2A



Ref #	FPX #	Honda #	Qty	Description	Price
01	02389231	07401-0010000	1	07401-0010000 Float Level Gauge	\$43.21
02	09598170	07746-0010300	1	NLA 07746-0010300 Attachment, 42x47mm	\$22.08
03	07534830	07746-0010400	1	NLA 07746-0010400 Attachment, 52X55	\$19.98
04	09598331	07746-0020100	1	07746-0020100 Driver Handle, 22MM	\$48.52
05	09598661	07746-0040100	1	07746-0040100 Pilot 10mm	\$6.62
06	09598901	07746-0040400	1	07746-0040400 Pilot, 17 mm	\$8.19
10	12528161	07746-0040500	1	07746-0040500 Pilot, 20mm	\$9.29
11	09599081	07746-0041000	1	07746-0041000 Pilot, 22mm	\$10.91
10	09332421	07749-0010000	1	07749-0010000 Driver	\$33.69
11	23336721	07757-P0100A	1	07757-P0100A Compressor, Valve Spring	\$54.20
13	28323351	07780-P01040A	1	07780-P01040A Cutter, Valve Seat #115	\$133.91
14	28323431	07780-P01050A	1	07780-P01050A Cutter, Valve Seat #111	\$170.87
17	28324421	07781-P03030A	1	07781-P03030A Solid Pilot Bar 5.55	\$47.47
18	28324751	07782-P01010A	1	07782-P01010A T-Wrench #505	\$23.46
19	28324831	07782-P01020A	1	07782-P01020A T-Wrench Adapter #503-1	\$19.38
20	28324911	07782-P01030A	1	07782-P01030A Accessory Package #246	\$13.26
21	17244751	07936-KC10500	1	07936-KC10500 Remover Bearing 15mm	\$121.83
22	51977771	07936-371020A	1	07936-371020A Weight, Remover	\$60.95
23	13578211	07942-8920000	1	07942-8920000 Driver, Valve Guide	\$15.29
24	00857871	07972-8120000	1	07972-8120000 Holder Valve	\$24.20
25	15168141	07975-8920000	1	07975-8920000 Valve Lap Guild, 5.5MM	\$37.77
26	36999150	07984-200000D	1	07984-200000D Valve Guide Reamer 5.5	\$66.97

Prop Guard - BF2A



Ref #	FPX #	Honda #	Qty	Description	Price
01	2-20-0007		1	Guard, Prop Free Flow Back Plate Carolina (Mounts to gearbx)	\$72.93
02	2-20-0009		1	Guard, Prop Free Flow Front Cover Rev B Carolina(Mts to back	\$90.88
03	00290		9	Washer, 1/4 S/S Lock	\$0.13
04	002983		9	Bolt, 1/4-20 x 1/2 316 S/S HCS	\$0.53
05a	2-20-A0003		1	Guard, Prop Free Flow Assy (Honda/Electric) Carolina	\$167.18
05b	HCM06X1X02018		1	Bolt, 6 x 20mm S/S BM	\$0.59

10/31/05



A Division of J&J Amusements, Inc.

**Lowest Prices
anywhere**

BF2A LONGBLOCK BLOWOUT

LOWEST PRICES EVER!!

A new Longblock will help with the cost of rebuilding Honda BF2A bumper boat motors. The J&J/FPX Longblock can be easily installed with ordinary shop tools. This simple procedure takes about one hour and results in a like new motor.

30% OFF

Hurry and get your stock today....Honda is no longer making them!!

Offer ends when we run out!!!

Part #	Description	Old Price	FPX Price
00677	Longblock, Honda BF2A	\$264.00	\$199.00
When installing a new Longblock, we suggest changing the following gaskets.		QTY NEEDED	
44743751	Packing, Upper Case	1	4.25
43278621	Gasket, Breather Mtg	1	1.54
40350771	Gasket, Insulator Block Mtg	1	1.72
43665141	Gasket A, Exhaust Pipe	2	2.62

Call 800-854-3140 / 503-304-8899 (Ext. 1)

Fax 800-366-7505 / 503-304-1899

www.FunPartsXpress.com



FAX ANYTIME - DAY or NIGHT
Toll FREE (USA) 1-800-366-7505
International 1-503-304-1899

Photocopy this form.
 If you wish to confirm receipt call or e-mail:
 Phone: 1-503-304-8899 or 1-800-854-3140
 Parts@FunPartsXpress.com

http://www.funpartsexpress.com
http://www.jjamusements.com

Date: _____ Time: _____ Customer #: _____ (Required for all orders)

E-Mail: _____ @ _____

Bill to: _____ Ship to: _____

Phone Number: () - EXT. FAX: () -

PO# or Contact Name: _____

VISA ___ M/C ___ AMEX ___

Card Number: [] Expires: _____

Print name exactly as it appears on the credit card. _____

Signature _____

SHIP VIA UPS (Please X One)	UPS Ground (3-7 Days)	UPS Red (1 Day)
	UPS Orange (3 Days)	UPS Red Saturday (Selected areas only)
	UPS Blue (2 Days)	INTERNATIONAL

	PART #	QTY	DESCRIPTION	PRICE
1				
2				
3				
4				
5				
6				
7				
8				
9				
10				
11				

Special Instructions: _____



FAX ANYTIME - DAY or NIGHT
 Toll FREE (USA) **1-800-366-7505**
 International **1-503-304-1899**

Photocopy this form.
 If you wish to confirm receipt call or e-mail:
 Phone: 1-503-304-8899 or 1-800-854-3140
 Parts@FunPartsXpress.com

<http://www.funpartsexpress.com>
<http://www.jjamusements.com>

Page 2

Company Name: _____ Customer Number: _____

	PART #	QTY	DESCRIPTION	PRICE
12				
13				
14				
15				
16				
17				
18				
19				
20				
21				
22				
23				
24				
25				
26				
27				
28				
29				

DOUBLE CHECK ALL PART NUMBERS AND DESCRIPTIONS BEFORE PLACING ORDER.

All prices are subject to change without prior notice

Parts Guides are available on the Web. Get the latest news & updates:

<http://www.funpartsexpress> OR <http://www.jjamusements.com>

Thank You For Your Order! Your Business is Appreciated.